

# Grip NxT

## Stool

Design — Mikko Halonen



---

The Grip NxT stool is very versatile and it is suitable for both learning and working environments. The stool without upholstery can be hung on a tabletop without a separate hanger.



---

**MATERIAL DESCRIPTION:**

**Base:** painted grey, white, black or Inspiring Colours

Felt or plastic glides

**The form-pressed seat in laminate:**

oak or birch pattern, white, grey, green, red and turquoise

Upholstered seat cushion also available

---

**PRODUCT CODE NUMBER:**

**NxT0045(C)** = low

**NxT0065(C)** = high

**C** = upholstered seat

---

**FABRIC CONSUMPTION:**

0.4 m / 2 pcs

---

**WEIGHT:**

**NxT0045:** 2.8 kg

**NxT0045C:** 3 kg

**NxT0065:** 4.3 kg

**NxT0065C:** 4.5 kg

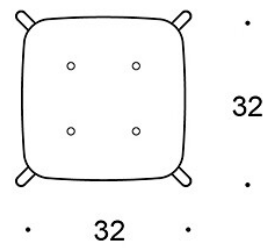
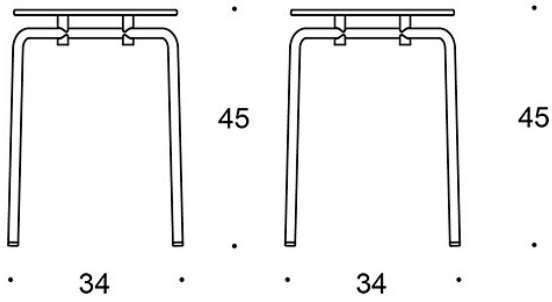
---

**FEATURES:**

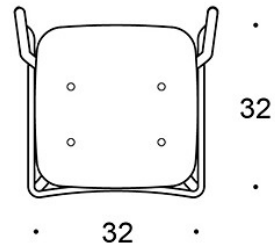
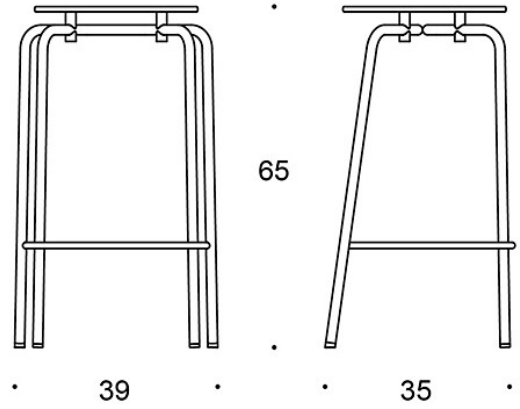
- stool without upholstery can be hung without a separate fitting

- stackable

Dimensional drawing:

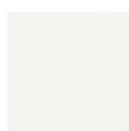


NXT0045



NXT0065

Standard materials:



L11



L31



L32



L36



L43



TL1



KL