

PentaGo

Student and teamwork table

Design — Iiro Viljanen



PentaGo school desk is suitable for group, pair and individual work. The easy-to-move table serves the needs of adaptable learning environments. The corners of the PentaGo lid are rounded for safety. There are backpack hooks on the table.



MATERIAL DESCRIPTION:

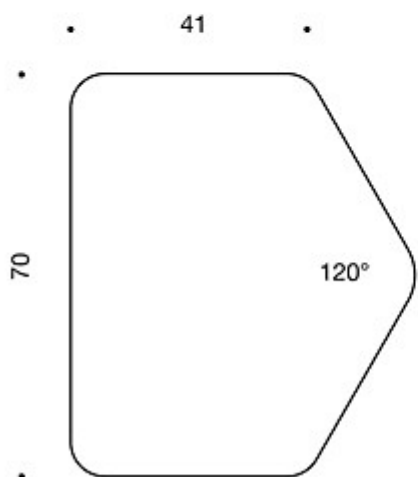
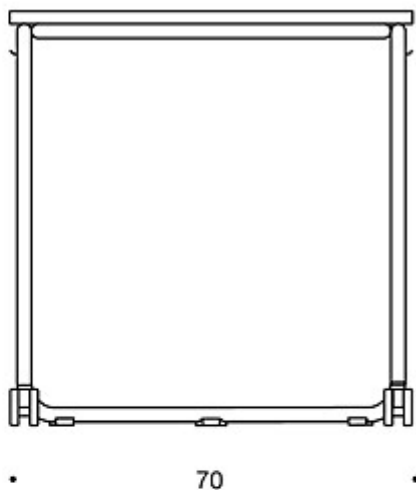
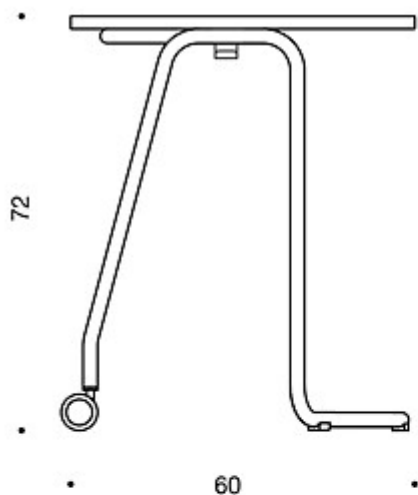
Table top: white, birch pattern, grey laminate
Conforming with E0,5 requirements

Base: epoxy lacquered steel in white, grey or black with
either lockable castors or glides with felt

ADJUSTMENTS:

Lockable castors or glides.

Dimensional drawing:



401536

Dimensional drawing 2:

