

Jojo

Sit and stand table with H-base

Design — Iiro Viljanen



The height-adjustable Jojo desk increases activity and wellbeing at work. Jojo with H-base has been designed for the changing needs of learning environments in particular. The compact Jojo desk is easy to move and highly functional, even in small spaces, which increases flexibility in various types of spaces. Its easy-to-use, effortless and stepless height adjustment enables users of various sizes and ages to work actively and ergonomically – sitting down or standing up. The Jojo desk is also available with an X-shaped base, with gas spring or electric height adjustment – the desktop sizes vary depending on the base.



MATERIAL DESCRIPTION:**Table top:**

birch, white and grey laminate, oak veneer

H-base and round column:

epoxy-lacquered steel in colour grey, white or black

ACCESSORIES:

Backback hook, white metal

ADJUSTMENTS:

With a gas spring and glides, the height adjustment range is 70 - 115 cm

With a gas spring and lockable castors, the height adjustment range is 72 - 117.5 cm

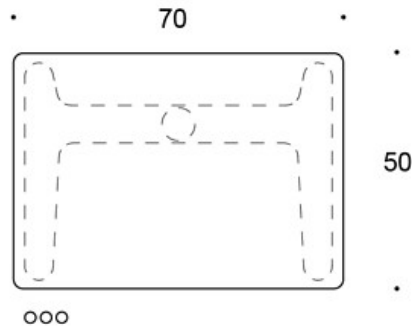
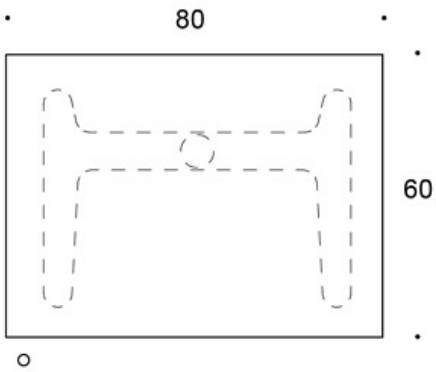
The height adjustment range of the electrically adjustable desk is 65 - 128 cm

The height adjustment range of the electrically adjustable desk with lockable castors is 67 - 130 cm

FEATURES:

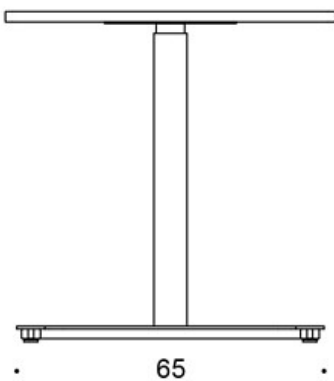
- Gas spring or electric height adjustment
- Lockable castors or adjustable glides
- Rounded corners (oak only with sharp corners)
- Edge strip in laminate tops

Dimensional drawing:

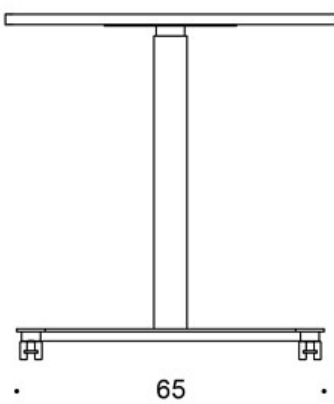
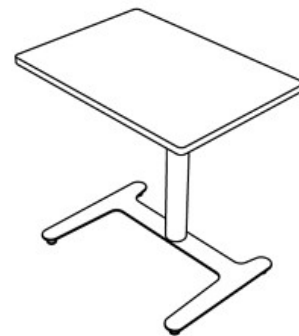
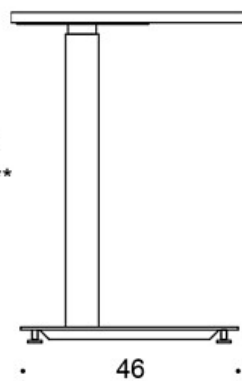


○ kansi vain terävillä kulmilla /
top only with sharp corners

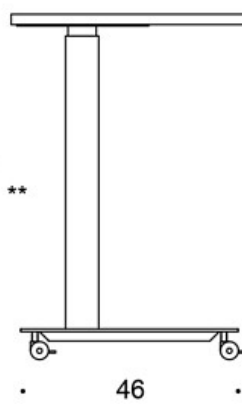
○○○ kansi terävillä ja pyöristetyillä kulmilla (r20) /
top with sharp and rounded corners (r20)



70-115 *
65-128 **



72-117 *
67-130 **



* kaasujousella / with gas lift
** sähköpilarilla / with electrical lift