

# Grip

## School table

Design — Mikko Halonen



---

There are two different versions of the Grip school desk: two rectangular versions for one or two students. Grip tables are sturdy, light to handle and easy to stack. The tables can be connected to each other and the design of the stand allows for row connection.



---

**MATERIAL DESCRIPTION:**

**Table top:** white, birch pattern, grey laminate  
Conforming with E0,5 requirements

**Base:** grey, white, black or Inspiring Colours

---

**PRODUCT CODE NUMBER:**

**School table OP121:**

Top 70x50 cm, total length of the table 80 cm  
Includes one backpack hook

Top 120x50 cm, total length of the table 130 cm  
Backpack hook on both sides of the table

---

**STACKABILITY:**

**OP121:** floor max 5 pcs

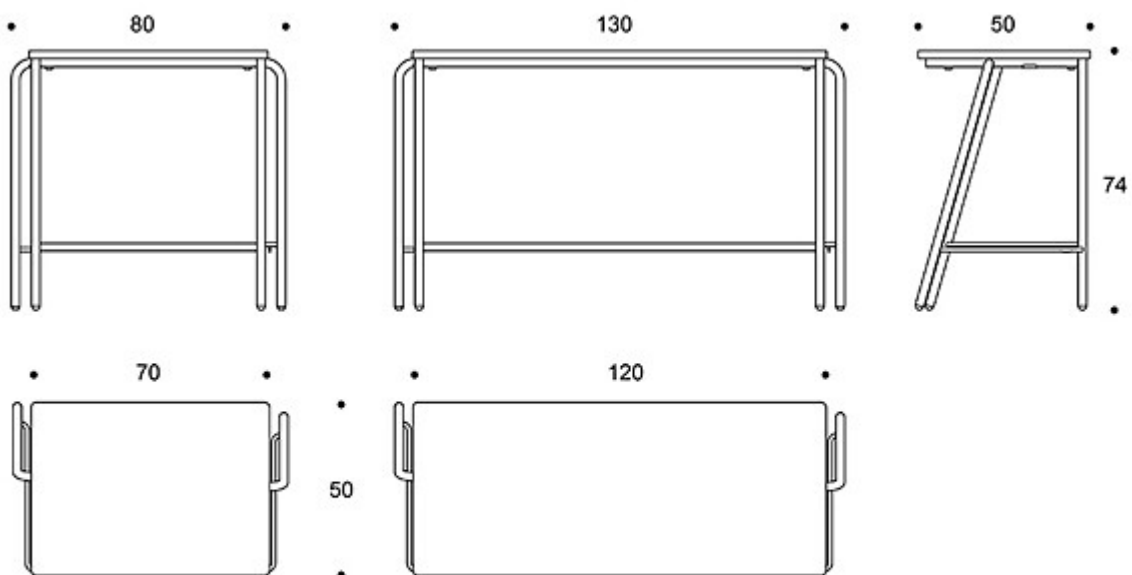
---

**WEIGHT:**

**OP0017:** 9.5 kg

**OP121 (70x50):** 12.4 kg

Dimensional drawing:



OP121