

**viccarbe**

# Foro

---

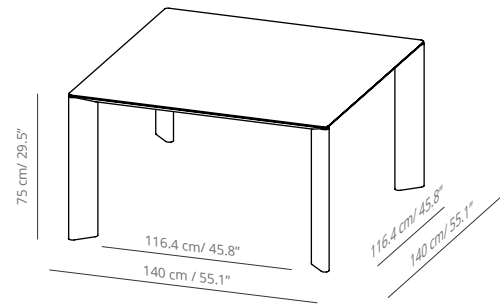
Designed by John Pawson

Technical info - EN

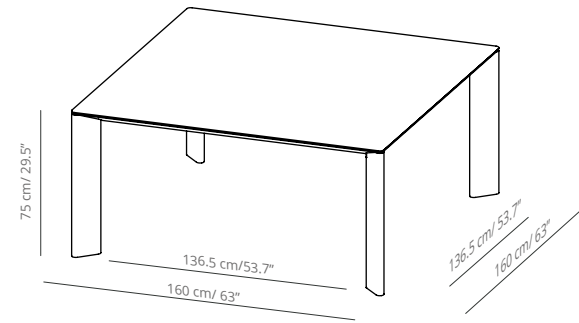
V01

HEIGHT 74 | HEIGHT 29½

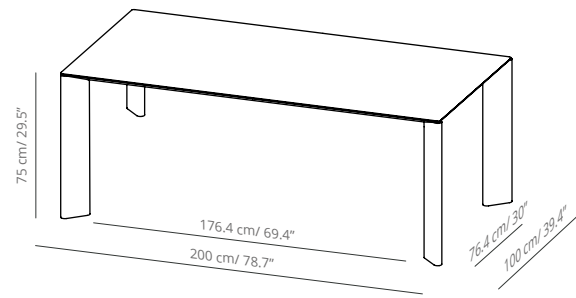
**FO140RO**  
table 140x140 cm | 55.1x55.1"



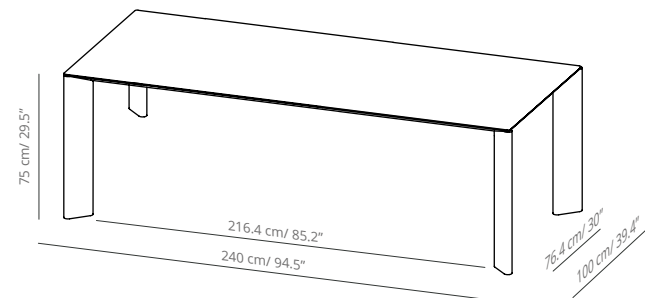
**FO160RO**  
table 160x160 cm | 63x63"



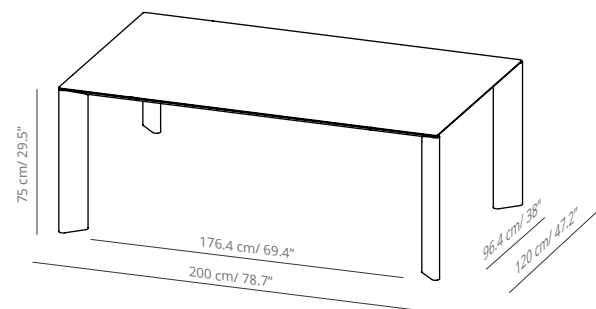
**FO200RO**  
table 200x100 cm | 78.7x39.4"



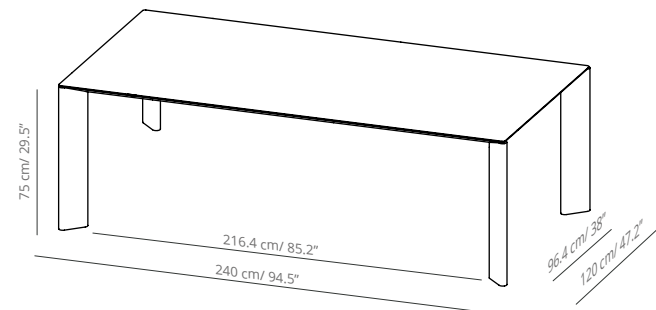
**FO240RO**  
table 240x100 cm | 94.5x39.4"



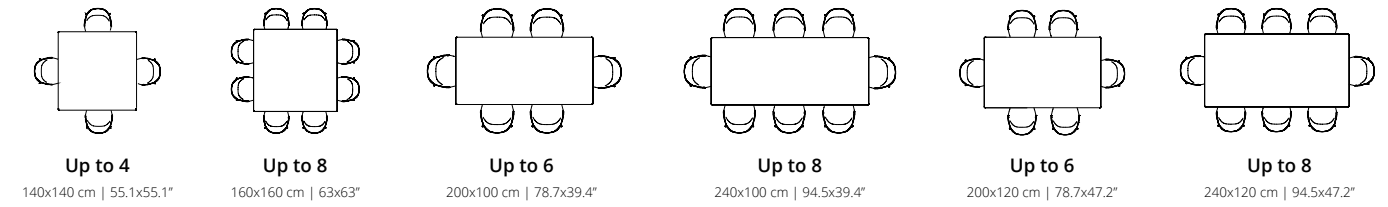
**FO200ARO**  
table 200x120 cm | 78.7x47.2"



**FO240ARO**  
table 240x120 cm | 94.5x47.2"



SEATING CAPACITY



*\*Seats calculated using Aleta chair, might differ when choosing other models*

LEG OPTIONS



**Stained solid wood - Wire management.**  
Management leg to discreetly conduct wires from the top of the table to the floor. Made in solid european oak, stained in the same finish as the table. The code of the leg must be noted in the order (FOPR).



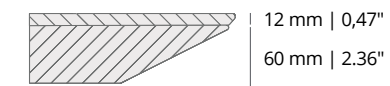
**Stained solid wood** - solid oak leg stained with the finishes of our collection.

*\*Patent pending wire management system*

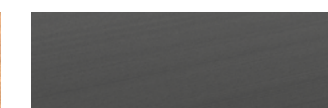
TABLETOP MATERIALS

**MDF - STAINED**

12 mm MDF board with natural oak veneer, stained in matt oak, cognac or ash.



matt oak



ash

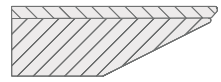


cognac

## TABLETOP MATERIALS

### Compact

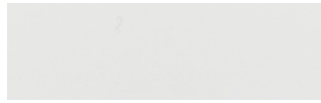
A high resistance material with 12mm thickness, recommended for severe use in high-traffic areas.



12 mm | 0,47"  
60 mm | 2.36"



black



white

## ACCESSORIES & ELECTRIFICATIONS



**Hidden hatch set.** Built-in wooden hatch, with the same material and finish as the table top. Can be opened from both sides. Dimensions: 32x15 cm | 12.59"x5.90"



**Hatch with frame plus.** Metallic hatch access to the lower part of the table for wooden table tops. Metal frame available in black or grey and central part in matching veneer. Does not include power options. Dimensions: 32x15 cm | 12.59"x5.90"



**Hatch with frame.** Metallic hatch access to the lower part of the table for wooden table tops. Same finish for frame and hatch, available in black, grey or white. Does not include power options. Dimensions: 32x15 cm | 12.59"x5.90"



**Hatch with frame & powerbox.** Metallic hatch with 4 sockets or combined with built-in multimedia devices. Metal frame and hatch are available in black or grey. Dimensions: 32x15 cm | 12.59"x5.90"



**Hatch with frame plus & powerbox.** Metallic hatch with 4 sockets or combined with built-in multimedia devices. Metal frame available in black or grey and central part in matching veneer. Dimensions: 32x15 cm | 12.59"x5.90"



**Table top protector in eco leather.** Dimension: 44x90 cm | 17.3"x35.4"

# Let's talk

We want to help you find the best designs for your project. Contact us and our team will get back to you as soon as possible.

CONTACT US

viccarbe

# Foro

Designed by John Pawson

Catalogue - EN

V01

2022



## John Pawson

John Pawson was born in 1949 in Halifax, Yorkshire, England. After a period in the family textile business, the designer lived for many years in Japan, moving to Tokyo towards the end of his stay, where he spent his formative years in the studio of Japanese architect and designer Shiro Kuramata. Following his return to England, he enrolled in the Architecture Association in London, establishing his own design practice in 1981.

Pawson's work has focused on ways of approaching fundamental problems of space, proportion, light and materials - themes he also explored in his book *Minimum*, which examines the notion of simplicity in art, architecture and design across a variety of historical and cultural contexts.

# FORO

## When minimalism meets wood

Table designed by John Pawson, 2022

When wood is converted to minimalism, pieces as balanced as Foro emerge, the new collection of tables designed by John Pawson. Dominated by a clear minimalist aesthetic, Foro is crafted from oak wood to transmit warmth, dimension and durability to any environment.

The collection completes our portfolio with pure craftsmanship and respect for nature. Its name comes from the ancient Roman culture, as Forum was the only meeting place for citizens to gather and carry their duties. A collaborative concept that has served as the starting point for the British designer, materializing it in a wooden table to encourage meetings, conversation, idea exchange and celebration.

*“A minimalist piece meticulously crafted in solid oak wood, to transmit warmth, dimension and durability to any atmosphere.”*



Foro table in matt oak finish

Foro table in ash finish and Quadra chairs wit ash  
finish and black structure



## ELECTRIFICATIONS

The collection will be able to include the new electrification solution designed by Viccarbe's engineering team. A different way to hide the cables through one of the legs, with no visible joints or screws as it works by pressure. Now, with a simple gesture, users can hide any cable, keeping everything clutter-free.

Foro can also include a new powerbox model, that integrates and respects the design of the table. A practical technical complement that does not interfere with its balanced design.



On the left, Foro table with a powerbox and Aleta chair, pyramid swivel base. On the right, wire management leg (patent pending)

Foro table in ash finish and Maarten chair with pyramid swivel base and soft upholstery







On these pages Foro table with matt oak finish and Ears chair with four wooden legs and matt oak finish



Foro table in matt oak finish and Copa chair, four wooden legs , two-tone backrest and soft finish





## Foro table



Foro table 140x140 cm /  
55.11x55.11"



Foro table 160x160 cm /  
62.99x62.99"



Foro table 200x100 cm /  
78.74x39.37"



Foro table 200x120 cm /  
78.74x47.24"



Foro table 240x100 cm /  
94.48x39.37"



Foro table 240x120 cm /  
94.48x47.24"

## Connectivity



- 2. Powerbox
- 5. Wire management leg

