

volpe



KUSCH+CO



Progressive and dynamic. Seating in a highly individual design language with the appeal of a classic sculpture. Its good looks are matched by its supreme comfort level. The one-piece seat shell is soft, moulding to the body, conveying a feeling of security.



Content

Variations	6
Product data	8
Materials	10
Fire Prevention	11
Quality, sustainability	12
References	13



Design by Norbert Geelen

After having completed his training as industrial designer at the University of Essen, he started freelancing at the Italian Studio Matteo Thun in Milan. Together with his partner Robert Kilders, he founded the design studio bert&bert in 1997. Since 2005, Norbert Geelen feels at home both in his German office in Straelen and in his Milan studio. He has specialised in designing upmarket lifestyle products and furniture.





Variations

Volpe stool

Even without a backrest, the Volpe stool adds its own stylish touch to the interior design. Available with a sled metal frame or wooden legs.



Volpe armchair

The seat shell can be combined with a sled metal frame or wooden legs. Wooden legs made of natural beech or stained.



Volpe armchair with high back

The high-back variation is unmistakably designed for relaxation. Also available with a sled metal frame or wooden legs.



Volpe stool



Sled metal frame

VOLPE LEG REST SL UPH

Wooden legs

VOLPE LEG REST LWM UPH

Volpe armchair



Sled metal frame

VOLPE ARMCHAIR SL UPH

Wooden legs

VOLPE ARMCHAIR LWM UPH

Volpe armchair with high back



Sled metal frame

VOLPE ARMCHAIR SL HB UPH

Wooden legs

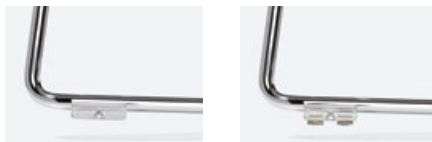
VOLPE ARMCHAIR LWM HB UPH

Product data

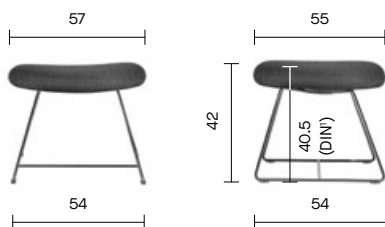
Volpe stool / armchair / armchair with high back on sled metal frame

Accessories

- Plastic glides
- Plastic glides with felt

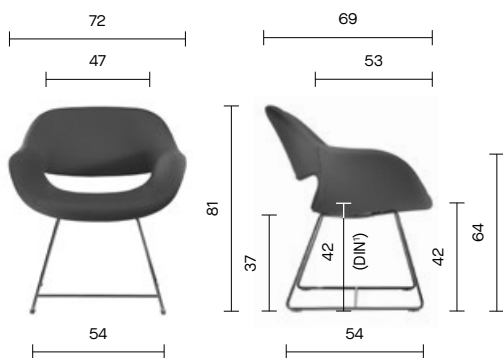


VOLPE LEG REST SL UPH



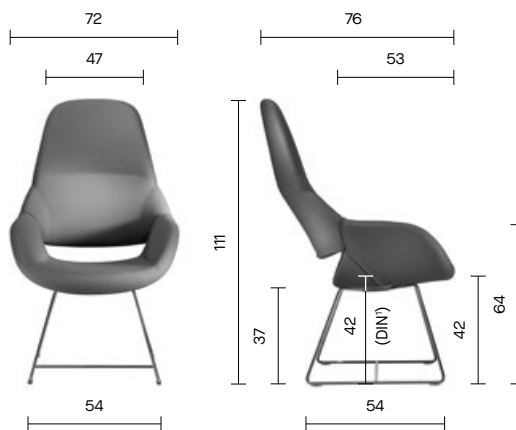
Weight: 8.0 kg

VOLPE ARMCHAIR SL UPH



Weight: 12.5 kg

VOLPE ARMCHAIR SL HB UPH



Weight: 18.0 kg

¹ The DIN seat height was determined acc. to DIN EN 1335-1, i.e. the seat height measured by means of a measuring device at the position of the ischial tuberosity (sitting bones) after having placed a load of 50 kg on the half width of the seat.

Dimensions in cm

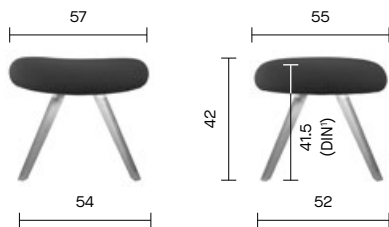
Volpe stool / armchair / armchair with high back on 4 wooden legs

Accessories

- Plastic glides
- Plastic glides with felt
- Metal glides
- Protect glides

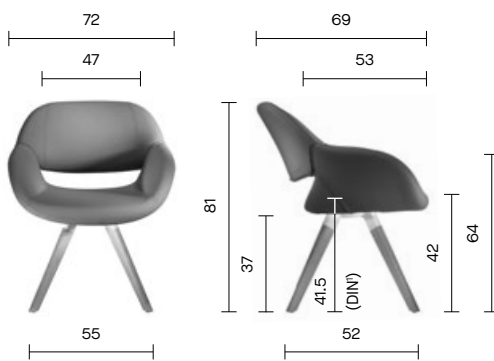


VOLPE LEG REST LWM UPH



Weight: 7.0 kg

VOLPE ARMCHAIR LWM UPH



Weight: 11.5 kg

VOLPE ARMCHAIR LWM HB UPH



Weight: 17.0 kg

111

¹ The DIN seat height was determined acc. to DIN EN 1335-1, i.e. the seat height measured by means of a measuring device at the position of the ischial tuberosity (sitting bones) after having placed a load of 50 kg on the half width of the seat.

Dimensions in cm

Materials

Volpe

Seat, seat shell

- Fully upholstered
- Standard foam
- Optional available with upholstery with flame retardant foam resp. with flame retardant foam and fireproof fabric

Metal frame

- Powder coated, chrome or satin chrome frame

Wooden legs

- Natural beech or stained
- Optional with antibacterial surface coating (only for armchairs)
- Powder coated leg mounting



Fire Prevention

Excerpt

Fire Prevention

Depending on the environment, contract seating has to be able to fulfil very specific requirements. Interior designers and planners sometimes have to clear difficult hurdles: such as exacting fire prevention regulations. Kusch+Co has worked out individual solutions:

Wooden parts

As standard, wooden parts are protected by a UV curing, environmentally harmless, water-based lacquer meeting all the requirements of “low flammability” acc. to DIN EN 13501 B s2 d0.

Upholstery

The upholstery is optionally available with flame retardant foam. In addition, it is available with the Kusch+Co Fire Prevention Concept, consisting of a special fabric “flamline” (approved by the building authorities and A2 nonflammable according to DIN 4102) between the upholstery foam and the fabric.

This concept achieves four life-saving objectives. The seating:

- is self-extinguishing,
- reduces the smoke development,
- prevents an incipient fire from spreading out,
- does not turn into an additional ignition source.

Test reports in compliance with national and international standards document the laboratory fire tests conducted on different series finished with a wide variety of materials.

With regard to the upholstery, e.g. with leather, artificial leather as well as many textile fabrics, or to our unupholstered variations featuring a plywood, laminated or plastic seat shell, most of our series meet the following standards:

- Germany: DIN 66084 P-a
- France: NF D 60-013
- Great Britain: BS 5852 Crib 5
- Italy: UNI 9176
- Europe: EN 1021 part 1/2

Please contact us if you wish to receive the test reports.

Please contact us to receive further information.



Quality, sustainability

Excerpt

Quality

Our environmental and quality management systems are certified acc. to DIN EN ISO 14001:2015 and to DIN EN ISO 9001:2015. External audits as well as our in-house laboratory safeguard our quality level.

All variations of series Volpe meet the requirements with regard to stability, static and dynamic load as well as strength and durability in compliance with the current European Directives, standards and regulations.

On top of this, we test most of our contract seating with higher loads and cycles. On request, we conduct individual tests acc. to the customer's specifications.

We are certified in compliance with DIN EN ISO 9001:2015. In our own laboratory, we test our products before their market launch whether they comply with the normative requirements applicable to contract seating, task chairs, and tables, and issue a Declaration of Conformity.

We happily make these Declarations of Conformity as well as our brochure "Mission Statement Quality" providing detailed information on our test procedures available to you – please contact us.



Sustainability

Kusch+Co products stand for long life cycles and optimum recyclability. From the first design drafts of a new product, we take all environmental-relevant components and production processes into consideration, ranging from the materials selection and the design all the way to the manufacturing processes which also contribute towards our sustainable energy balance.



References

Excerpt

Austria

- Vienna International Airport – JET Lounge

Belgium

- General Hospital Damiaan, Ostend
- General Hospital St. Elisabeth, Herentals
- General Hospital Sint-Maarten, Mechelen
- Public Centre for Social Welfare Langemark
- St. Jozef Hospital, Campus Bornem

Brazil

- Hospital Beneficência Portuguesa, São Paulo

Denmark

- Capgemini Danmark A/S, Vallensbæk Strand

France

- Paris Aéroport – Orly

Germany

- Agaplesion Diaconical Hospital Hamburg
- Berlin Brandenburg Airport Willy Brandt
- Clinic for Psychosomatic Medicine and Psychotherapy, Westerstede
- Federal Joint Committee, Berlin
- Frankfurt Airport – Leisure Zone
- German Aviation Association (BDL), Berlin
- HTW – University of Applied Sciences, Berlin
- Husemann, Eickhoff, Salmen & Partner GbR, Dortmund
- Sal's Kitchen, Cologne
- Silver Tower, Deutsche Bahn AG, Frankfurt am Main
- SMA Solar Technology AG, Niestetal
- State Parliament of Lower Saxony, Hanover
- University Hospital Tübingen
- Volksbank Rhein-Ruhr eG, Duisburg

Kuwait

- Kuwait International Airport

Switzerland

- Air France, Genf

United Arab Emirates

- Air France, Dubai

United Kingdom

- Compuware Ltd., Slough



Sal's Kitchen, Cologne



Volksbank Rhein-Ruhr eG, Duisburg



Hospital Beneficência Portuguesa, São Paulo

© Moema Wertheimer & Evelyn Muller



General Hospital Damiaan, Ostend



