

Wilkhahn

Timetable. 610 range / 612 Smart / 614 Shift / 615 Lift.

+ Foldscreen. 609 range



The Timetable family

– ideal as a mobile conference and seminar table...

Wilkhahn



When market conditions change dynamically, it's vital that furniture in agile workplaces can adapt. Then projects can be initiated on the spot, teams formed and processes of innovation accelerated. Thanks to its mobile Timetable family for multipurpose seminar, meeting, project and innovation spaces, Wilkhahn has revolutionized furniture in contemporary office environments. The range boasts first-class quality and compact and intuitive handling to foster engagement and a change in methods on the one hand and free up time and space on the other. Drawing on a wealth of experience from many international projects, Wilkhahn extended the classic Timetable and turned it into a comprehensive product family that offers solutions to meet all functional requirements in one top-notch, coherent design throughout.

Timetable 610 range with ultimate flexibility for settings users can configure themselves, design: Andreas Störiko, with stackable Neos cantilever chairs, design: wiege.

with Foldscreen

... or in flexible pop-up offices.

Wilkhahn



And what's more, with the attachable and retractable Foldscreen table-panel system, all models can be transformed spontaneously into workspaces, exam tables or workbenches divided up into different zones that are sound absorbent and offer more privacy. The Timetable family is very versatile and compact to stow away. The ease with which it's configured encourages users to set it up themselves. As a result, it's the ideal table "tool" for agile workplaces that need to be adaptable, economical and as future-proof as possible.

And if the Timetable ranges come with Power Bars, more complex seminar or conference settings, or workspaces, in rows or blocks can even be connected to a power supply via one single socket. As a result, this cuts the number of connections in the wall or floor significantly. And it doesn't just reduce fitting costs and the number of floor ports, but also means that spaces that are protected for their cultural heritage value can be used in a very versatile way.



Timetable Lift 615/00 range, design: Andreas Störiko, with Foldscreen 609/10 and 609/11, design: Wilkhahn, with AT Mesh 187/71 task chair, design: Wilkhahn

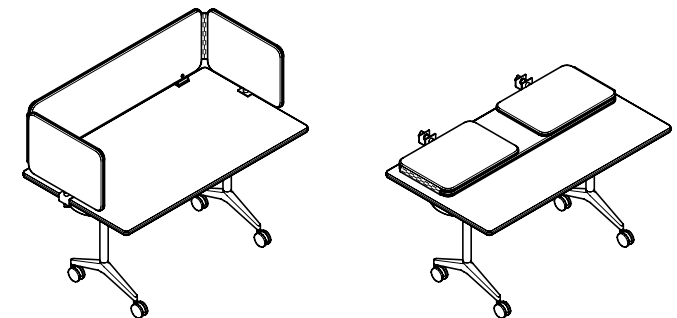
Timetable. 610 range.

Wilkhahn



Timetable – top-class design at every turn

The 610 range is flexibility at its best because the patented mechanism allows the table top to be flipped up in one easy step. The foot sections turn in automatically so that the tables are easy to wheel through narrow corridors, doors and elevators and can nest into one another neatly to save space. When the table top is flipped down again, the foot sections return automatically to a right angle until the table top locks in a horizontal position. All table formats come in depths of 60 cm (23 $\frac{5}{8}$ " (for layouts in buildings where elected government assemblies sit) to 80 cm (31 $\frac{1}{2}$ " (desk depth) and widths of 140 cm to 180 cm (55 $\frac{1}{8}$ " to 70 $\frac{7}{8}$ "). Optional table connectors allow the tables to be linked up for conferences in no time. And when the tables are configured in blocks, the fact that the table tops protrude over the frame at the sides means that people can sit at the ends too. By using the front and side panels from the Foldscreen system, the table formats in 70 cm depths \times 140 cm widths (27 $\frac{1}{2}$ " \times 55 $\frac{1}{8}$ ") to 80 cm \times 180 cm (31 $\frac{1}{2}$ " \times 70 $\frac{7}{8}$ ") widths can be turned into more sound-absorbent, private areas for people who need to concentrate more.



Timetable. 610 range.

Wilkhahn



610 range, design: Andreas Störiko with Aline sled-base chair, 230/2, design: Andreas Störiko, Confair lectern 448/9, design wiege, Fritz Frenkler, Justus Kolberg.

Timetable. 610 range.

Wilkhahn



610 range, Timetable configuration in a conference room that can be partitioned differently, design: Andreas Störiko, with ON cantilever chairs 178/7, design wiege.

Timetable. 610 range.

Wilkhahn

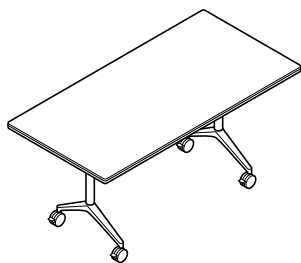


610 range, Timetable in a seminar configuration in a multipurpose room for meetings and presentations, design: Andreas Störiko, with Sito cantilever chairs 241/3, design: wiege.

Timetable. 610 range. Models and dimensions.

Wilkhahn

610/00 Timetable



140-180
55 1/8"-70 7/8"

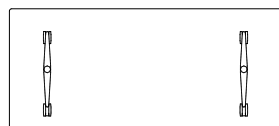


60-80
23 5/8"-31 1/2"

73
28 3/4"

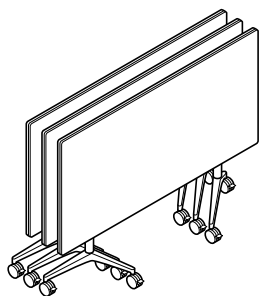
| Width | Depth | | | |
|---------|---------------|---------------|---------------|---------------|
| | 60 23 5/8" | 70 27 4/8" | 75 29 4/8" | 80 31 4/8" |
| 140 | • | • | • | • |
| 55 1/8" | • | • | • | • |
| 150 | • | • | • | • |
| 59" | • | • | • | • |
| 160 | • | • | • | • |
| 63" | • | • | • | • |
| 180 | • | • | • | • |
| 70 7/8" | • | • | • | • |

• Available

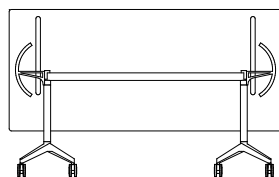


60-80
23 5/8"-31 1/2"

140-180
55 1/8"-70 7/8"



Depth per table with legs turned in 42 cm (16 1/2"). Only 10 cm (3 7/8") more for each further table

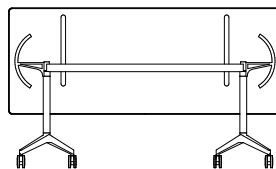


140-180
55 1/8"-70 7/8"

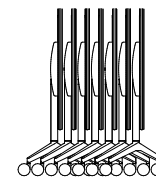


42
16 9/16"

100-110
39 3/8"-43 5/16"

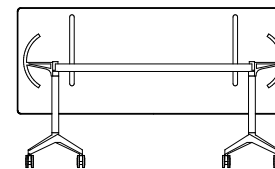


140-180
55 1/8"-70 7/8"

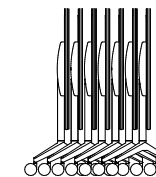


100
39 3/8"

105-110
41 5/16"-43 5/16"



140-180
55 1/8"-70 7/8"



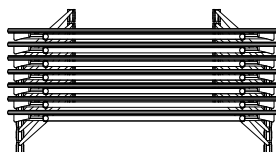
104
40 15/16"

110
43 5/16"



140-180
55 1/8"-70 7/8"

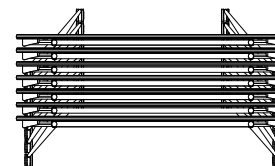
42
16 9/16"



140-180
55 1/8"-70 7/8"

100
39 3/8"
9
3 9/16"
42
16 9/16"

table depth 60 - 75
23 5/8" - 29 4/8"



140-180
55 1/8"-70 7/8"

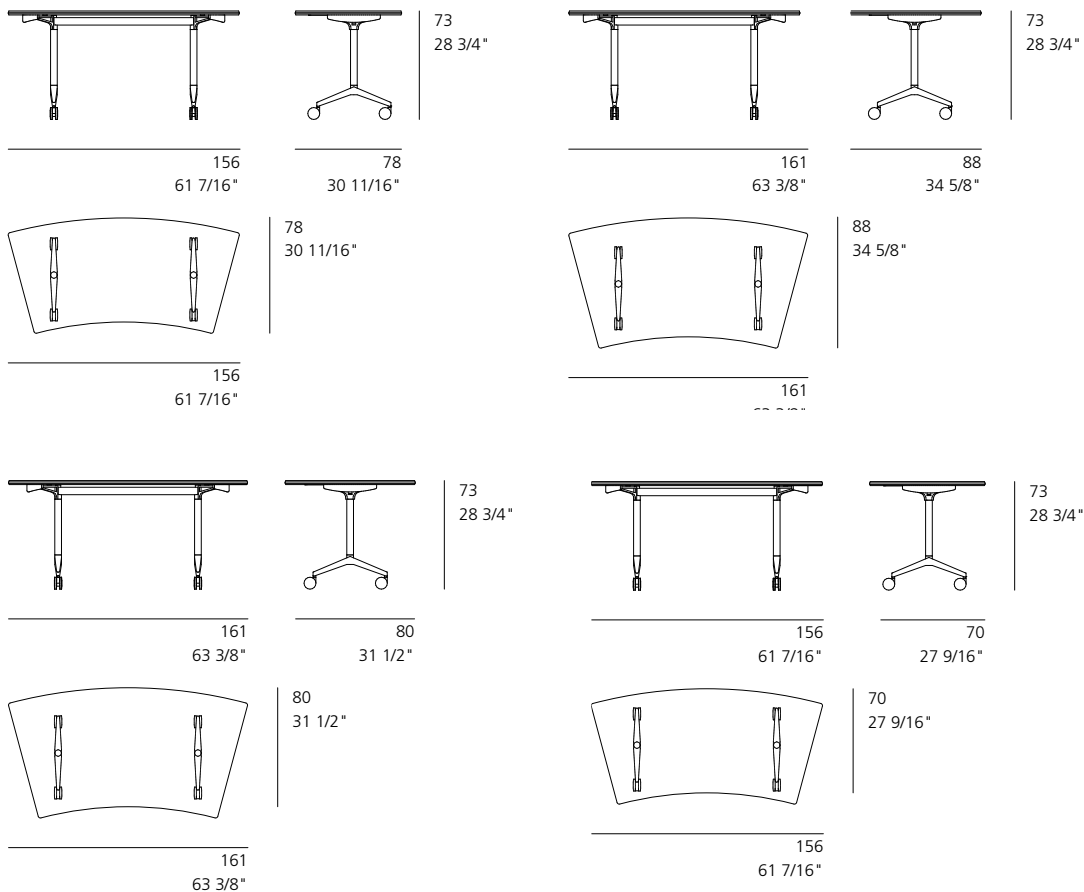
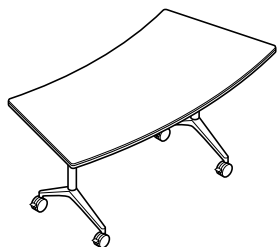
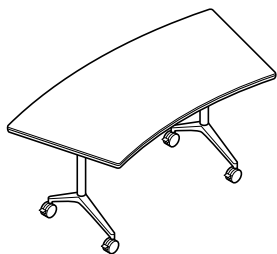
104
40 15/16"
9
3 9/16"
46
18 1/8"

table depth 80
31 4/8"

Timetable. 610 range. Models and dimensions.

Wilkhahn

610/15 Timetable



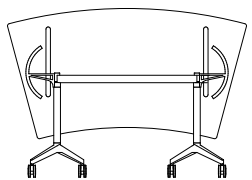
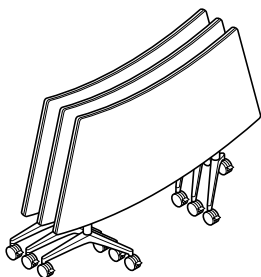
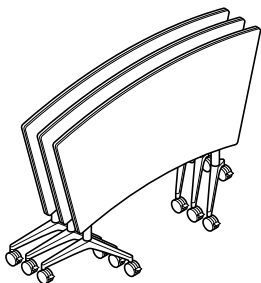
| | 70 | 80 |
|---------|----|----|
| 120/156 | • | - |
| 120/161 | - | • |

- Available
- Not available

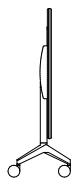
Timetable. 610 range. Models and dimensions.

Wilkhahn

610/15 Timetable

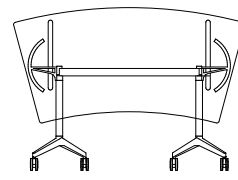


161
63 3/8"

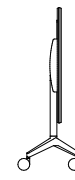


114
44 7/8"

42
16 9/16"



156
61 7/16"



109
42 15/16"

42
16 9/16"



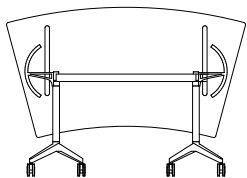
161
63 3/8"

42
16 9/16"

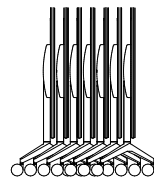


156
61 7/16"

42
16 9/16"

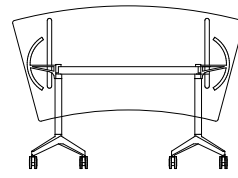


161
63 3/8"

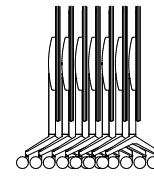


104
40 15/16"

114
44 7/8"

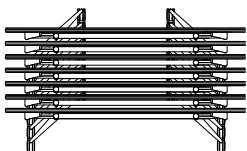


156
61 7/16"



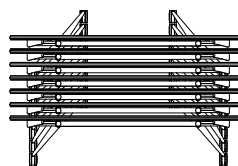
104
40 15/16"

109
42 15/16"



161
63 3/8"

46
18 1/8"



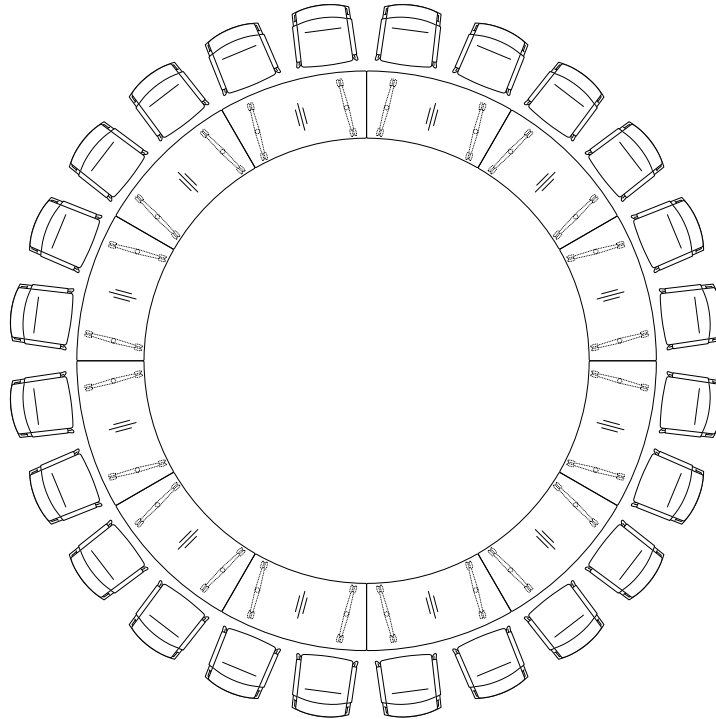
156
61 7/16"

46
18 1/8"

Timetable. 610 range. Models and dimensions/Example configurations.

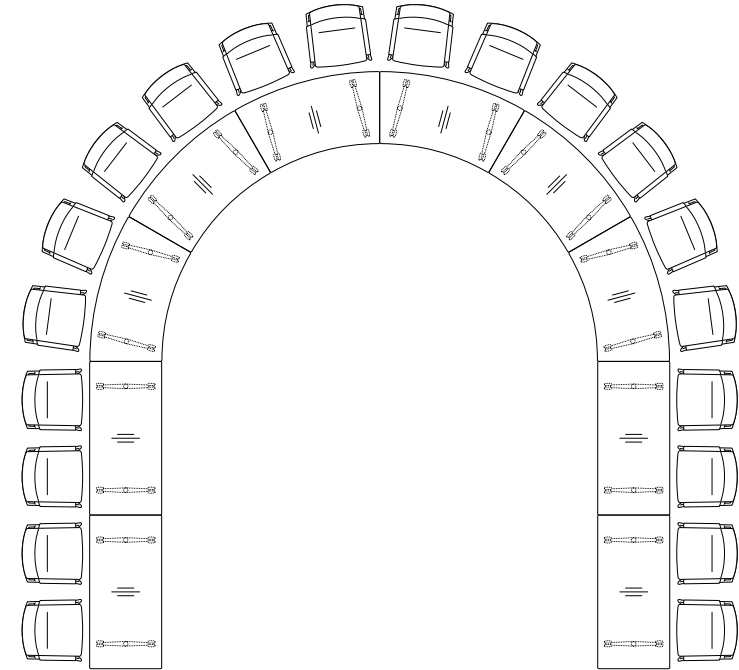
Wilkhahn

624
245 $\frac{5}{8}$ "



24 people,
Timetable
12 x 610/15, 120/161 x 80 (47 $\frac{1}{4}$ "/63 $\frac{3}{8}$ " x 31 $\frac{1}{2}$ ")

632
248 $\frac{3}{4}$ "

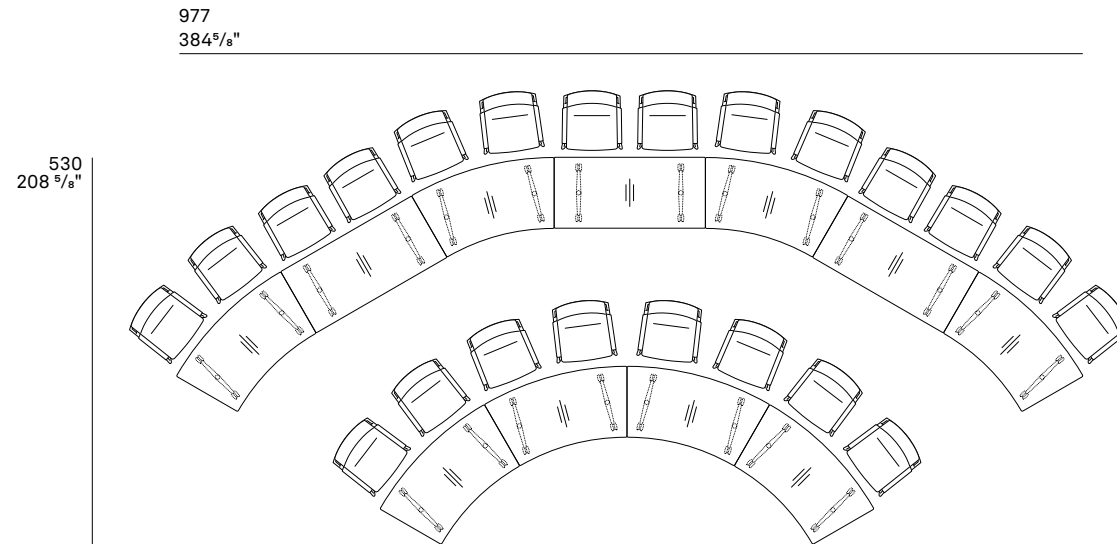


20 people,
Timetable
6 x 610/15, 120/161 x 80 (47 $\frac{1}{4}$ "/63 $\frac{3}{8}$ " x 31 $\frac{1}{2}$ ")
4 x 610/00, 160 x 80 (63" x 31 $\frac{1}{2}$ ")

624
245 $\frac{5}{8}$ "

Timetable. 610 range. Models and dimensions/Example configurations.

Wilkhahn



22 people,
Timetable
8 × 610/15, 120/161 × 80 (47¹/₄"/63³/₈" × 31¹/₂")
3 × 610/00, 160 × 80 (63" × 31¹/₂")
1 × 610/00, 180 × 90 (70⁷/₈" × 35³/₈"),
Elliptical

Timetable. 610 range. Accessories and other items.

Wilkhahn



Integrated techni-station Basic



Integrated techni-station Basic



Single table portal Executive



Single table portal Executive



Integrated techni-station Rotate



Integrated techni-station Rotate



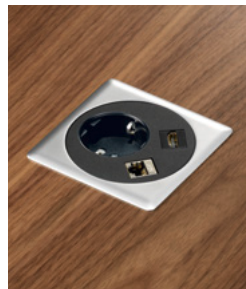
Single table portal Basic



Single table portal Basic



Socket strips



Integrated techni-station Compact



Cable outlets



Socket strips



Table-table connectors 616, plastic



Techni-station Compact Add



Integrated techni-station Compact Duo

Please refer to the price list if you would like to integrate the techni-stations based on table models.

Timetable. 610 range. Power Bar.

Wilkhahn



The Power Bar is screwed to a cable channel underneath the table top. With a flipped-up table top, the connections are particularly easy to reach and the tables still nest into one another compactly (photo of a Timetable Smart with Power Bar, same design)



Even when tables are linked, the Power Bar makes supplying power to the Timetable tables very easy. Instead of giving each table its own electricity supply, depending on the sockets and devices connected, several tables can be connected directly with one another at once. This cuts the number of connections required, the potential for tripping up, shortens set-up times in seminar and conference rooms and also means that spaces can also be used as temporary offices. The lockable and strain-relieved connecting system stems from stage equipment and rules out any risk of using it incorrectly, making it very safe. As a result, tables can be detached or added at any time. The table ranges remain flexible enough to be configured by users themselves without calling on any skilled personnel to do the job.

Timetable. 610 range. Power Bar.

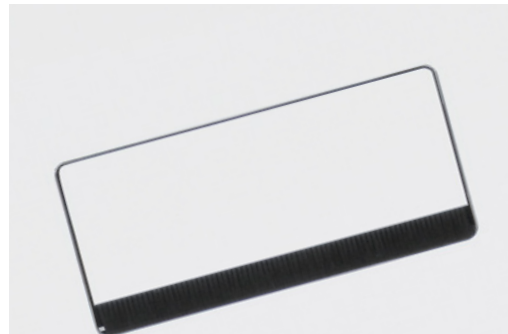
Wilkhahn



The supply lead is pushed in...



... and simply locked in place.



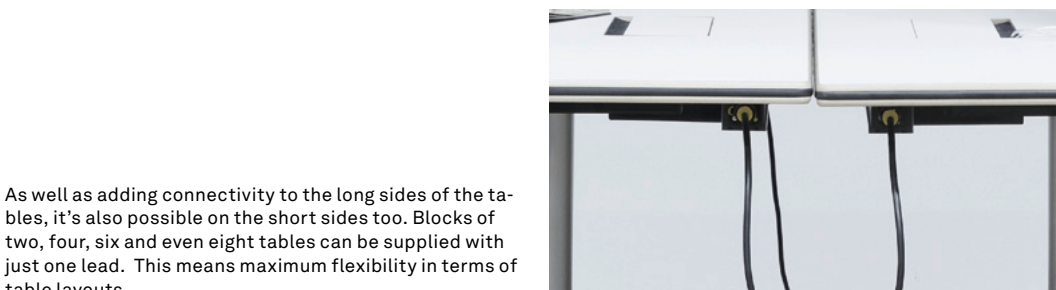
The next table can be connected via an extension lead to the other side of the Power Bar.



Depending on the cable length, the tables can also be placed at a distance.



High-quality cable lids, flush with the table tops, provide access to the four modules and the cable channel. Two power supply connections, two USB ports to recharge mobile devices and an extra slot to use as required check virtually all the boxes (as a standard, ports are available to German, French and British standards).



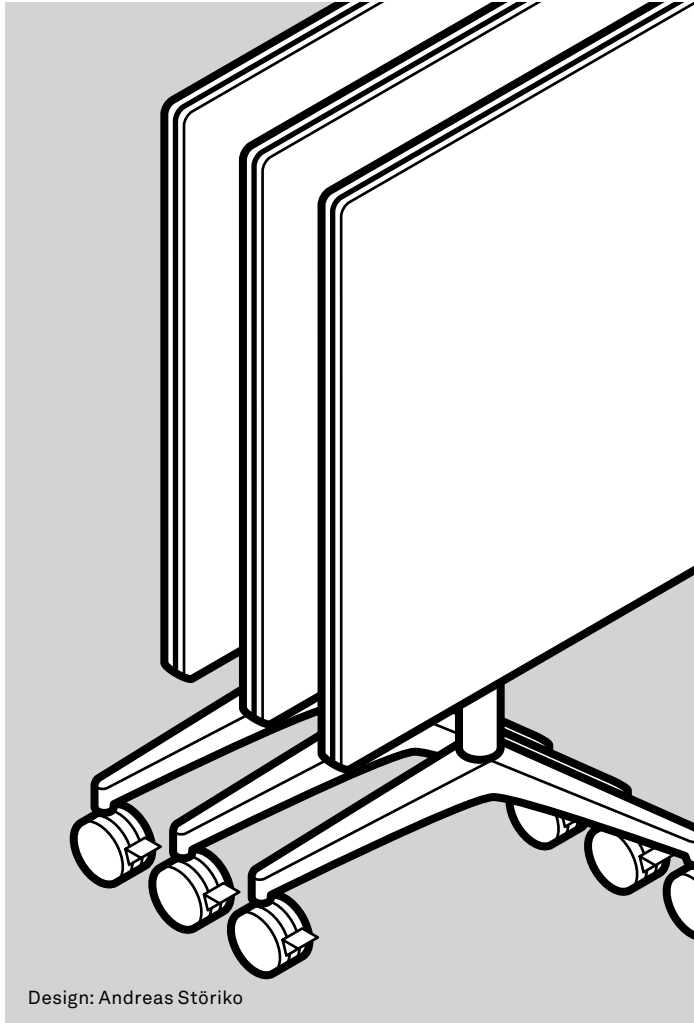
As well as adding connectivity to the long sides of the tables, it's also possible on the short sides too. Blocks of two, four, six and even eight tables can be supplied with just one lead. This means maximum flexibility in terms of table layouts.



There's even plenty of space in the cable channel for a mains adapter and residual cable.

Timetable. 610 range. Technical details.

Wilkhahn



Design: Andreas Störiko

Function

Mobile table range with flip-top table tops and feet that turn in automatically in the process. For multi-use spaces designed for interactive and dynamic conference types in settings where people convene for meetings, workshops, projects, training courses and talks. When horizontal, the table top locks automatically and two pull rods fitted underneath release it to flip it up. The foot sections that turn in allow the tables to nest into one another very compactly and without staggered nesting at the sides. Ideal in combination with items from the Confair 440 range and panels from the Foldscreen 609 range.

Frame

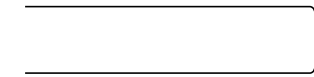
Foot section in die-cast aluminum, bright chrome-plated or polished. Uprights and underframes in tubular steel, coated in black or with a silver satin finish. Upright optionally available with bright chrome plating. Table top bearer in die-cast zinc, coated black, lockable, height adjustable, swivel casters with a black polyamide tire are the standard version for carpets; casters available with a polyurethane tire for hard floors (please specify when ordering). Models as of a 750 mm table depth have a bigger foot section and shorter uprights.

Table top group 1 – laminate

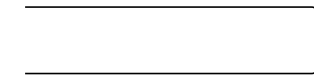
Table top thickness 26 mm

Variant 1

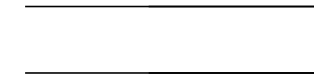
Laminate (single color) based on Wilkhahn's color and surface samples with wood edging in natural oiled finish or color-matched plastic edging.



Standard type: Bullnose with impact-resilient profile

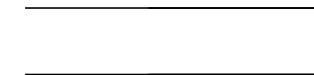


Alternatively: Straight edging with an impact-resilient profile



Straight plastic edging

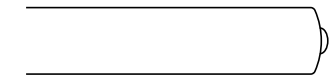
Wood decor laminate from the Wilkhahn color and surface samples with color-matched plastic edging.



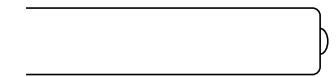
Straight plastic edging

Variant 2

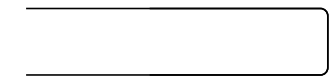
Soft matte laminate from the Wilkhahn color and surface samples with wood edging in natural oiled finish or color-matched with the plastic edging. Anti-reflective, soft-touch surface with anti-fingerprint characteristics.



Standard type: Bullnose with impact-resilient profile



Alternatively: Straight edging with an impact-resilient profile



Straight plastic edging

Subject to change.

Timetable. 610 range. Technical details.

Wilkhahn

Table top group 2 – veneer



Standard type: Bullnose with impact-resilient profile



Alternatively: Straight edging with an impact-resilient profile

Table top thickness 26 mm

Variant 1

Beech, oak or ash veneer (exception: natural ash with chamfered edging not possible) from the Wilkhahn woodstain color samples with wood edging, color-matched as far as possible with the veneer.

Variant 2

Maple (exception: no maple with a natural finish with chamfered edging), walnut or elm veneer from the Wilkhahn woodstain color samples with wood edging, color-matched as far as possible with the veneer.

Veneer type

As a standard, the veneers are made by slip-match method. Surfaces sealed with clear lacquer: open-pore: Oak, ash, walnut and elm veneer closed-pore: Maple and beech veneer. Some specific growth features possible.

When placing repeat orders, please indicate whether your table tops have slip-matched or book-matched veneer.

Modesty panels (underneath the table)

Aluminum frame, coated with a silver satin finish, in anthracite or covered with black fabric. Black polyamide handles.

Table-table connectors (optional)

Metal table-table connectors
Model 613: two lockable circlips made of black coated sheet steel with four star-grip screws and additionally for Timetable Smart: table-table connectors in plastic.
Model 616: two rotatable circlips and two collets made of black through-dyed fiberglass-reinforced polyamide with washers.

Timetable Smart. 612 range.

Wilkhahn



Versatile Timetable Smart with lots of leg room

The exceptionally sturdy Timetable Smart can be used in all sorts of other areas, such as training rooms and project offices or hot desking. Because the two table columns are positioned at a maximum distance from one other, the two ends can only be used to a limited extent but the longer sides offer all the more leg room. The table top can also be locked both horizontally and vertically. Therefore, whether as impromptu single-desk workspaces or modular workbenches, Timetable Smart can be fitted with a plug and play power solution that can be continued from table to table. To ensure the table is stable enough, the foot section is always at a right angle and the pivoting mechanism with its horizontal pull rod helps stop incorrect handling. The 60 cm × 120 cm, 70 cm × 140 cm, 75 cm × 150 cm and 80 cm × 160 cm (23 5/8" × 47 1/4", 27 1/2" × 55 1/8", 29 1/2" × 59" and 31 1/2" × 50") formats are designed for cafeterias, training, examination and project rooms.

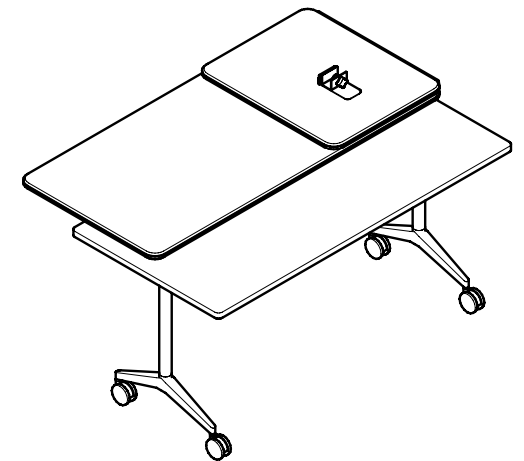
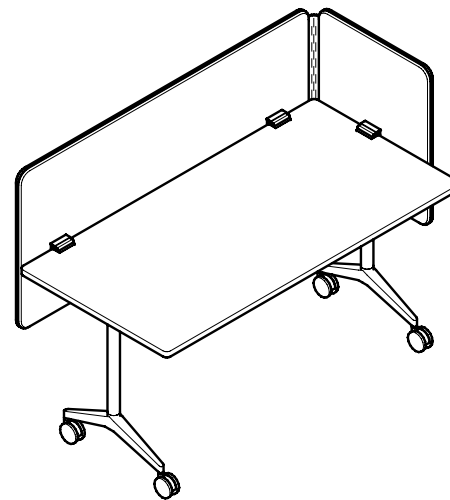
Timetable Smart. 612 range.

Wilkhahn



612 range, design: Andreas Störiko, with stackable Neos cantilever chairs 183/3, design: wiege

Foldscreen's attachable and retractable front and side panels quickly turn the compact Timetable Smart tables (from 70 cm × 140 cm (27½" × 55½")) into full workspaces that offer privacy and muffle sound. In addition to the Foldscreen front and side panels, which are either optionally 40 cm (15¾") or 50 cm (19¾") in height and mounted at table top height, there are also panel models fitted to the table surface that provide privacy underneath the table (panel height then totals 70 cm (27½") or 80 cm (31½")).



Timetable Smart. 612 range.

Wilkhahn



Timetable Smart 612 range for seminars, design: Andreas Störiko) with Neos cantilever chairs, design: wiege.

Timetable Smart. 612 range.

Wilkhahn



Timetable Smart 612 range in a project room, design: Andreas Störiko, with Aline sled-base chairs, design: Andreas Störiko.

Timetable Smart. 612 range.

Wilkhahn

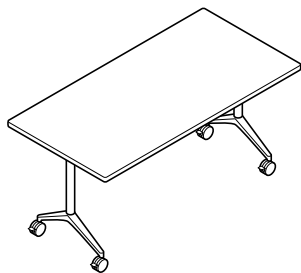


Timetable Smart 612 range as a multi-use table in co-working spaces, design: Andreas Störko, with office chairs from the FS-Line, design: Klaus Franck/Werner Sauer and Neos office chairs, design: wiege.

Timetable Smart. 612 range. Models and dimensions.

Wilkhahn

612/00 Timetable Smart



120-150
47 1/4" - 59 1/16"



120-150
47 1/4" - 59 1/16"



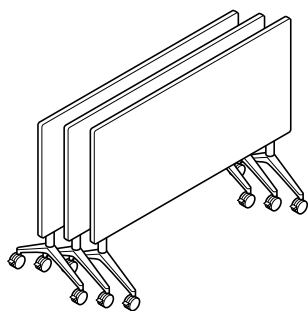
73
28 3/4"

60-75
23 5/8" - 29 1/2"

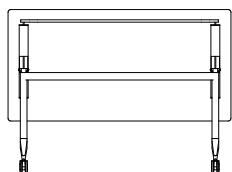
60-75
23 5/8" - 29 1/2"

| Width | Depth | | |
|----------------|---------------|---------------|---------------|
| | 60 23 5/8" | 70 27 4/8" | 75 29 4/8" |
| 120 47 2/8" | • | - | - |
| 140 55 1/8" | - | • | - |
| 150 59" | • | - | • |

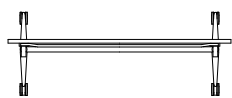
- Available
- Not available



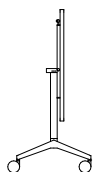
Depth per table 56 cm (22").
Only 12 cm (4 3/4") more for each
further table



120-150
47 1/4" - 59 1/16"



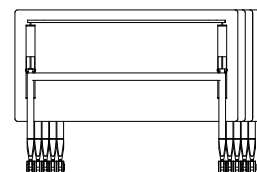
120-150
47 1/4" - 59 1/16"



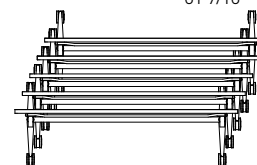
110
43 5/16"

56
22 1/16"

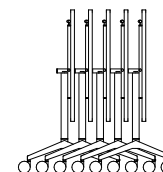
56
22 1/16"



156
61 7/16"



170
66 15/16"



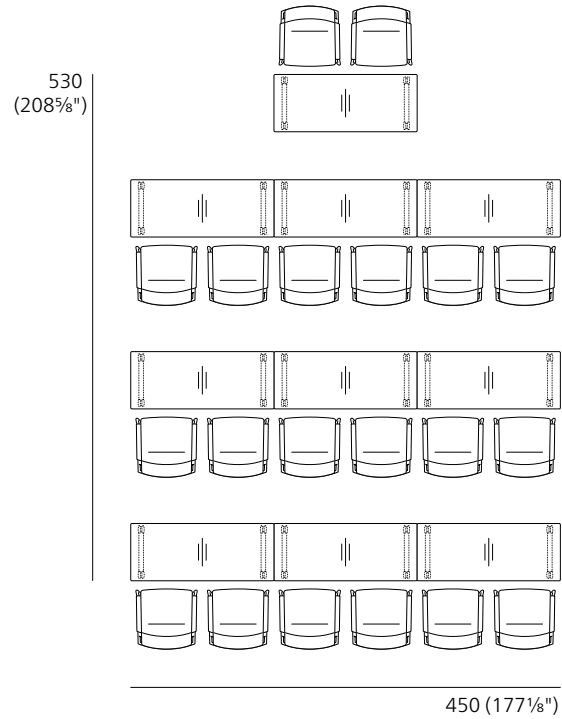
109
42 15/16"

104
40 15/16"

104
40 15/16"
12
4 3/4"
56
22 1/16"

Timetable Smart. 612 range. Example configuration.

Wilkhahn



20 people,
Timetable Smart
10 × 612/51, 150 × 60 (59" × 23 3/8")

Timetable Smart. 612 range. Accessories and other items.

Wilkhahn



Integrated techni-station Basic



Integrated techni-station Basic



Single table portal Executive



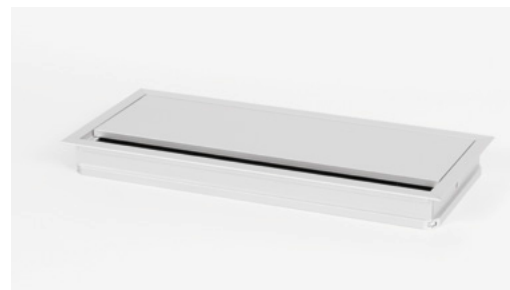
Single table portal Executive



Integrated techni-station Rotate



Integrated techni-station Rotate



Single table portal Basic



Single table portal Basic



Integrated techni-station Move



Integrated techni-station Compact



Cable outlets



Socket strips



Table-table connectors 616, plastic



Techni-station Compact Add



Integrated techni-station Compact Duo

Please refer to the price list if you would like to integrate the techni-stations based on table models.

Timetable Smart. 612 range. Power Bar.

Wilkahn



The Power Bar is screwed to a cable channel underneath the table top. With a flipped-up table top, the connections are particularly easy to reach and the tables still nest into one another compactly.



Even when tables are linked, the Power Bar makes supplying power to the Timetable Smart tables very easy. Instead of giving each table its own electricity supply, depending on the sockets and devices connected, several tables can be connected directly with one another at once. This cuts the number of connections required, the potential for tripping up, shortens set-up times in seminar and conference rooms and also means that spaces can also be used as temporary offices. The lockable and strain-relieved connecting system stems from stage equipment and rules out any risk of using it incorrectly, making it very safe. As a result, tables can be detached or added at any time. The table ranges remain flexible enough to be configured by users themselves without calling on any skilled personnel to do the job.

Timetable Smart. 612 range. Power Bar.

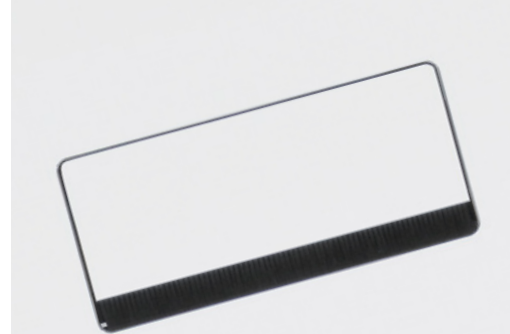
Wilkhahn



The supply lead is pushed in...



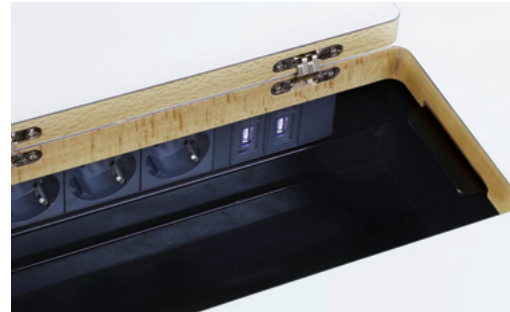
... and simply locked in place.



The next table can be connected via an extension lead to the other side of the Power Bar.



Depending on the cable length, the tables can also be placed at a distance.



High-quality cable lids, flush with the table tops, provide access to the four modules and the cable channel. Two power supply connections, two USB ports to recharge mobile devices and an extra slot to use as required check virtually all the boxes (as a standard, ports are available to German, French and British standards).

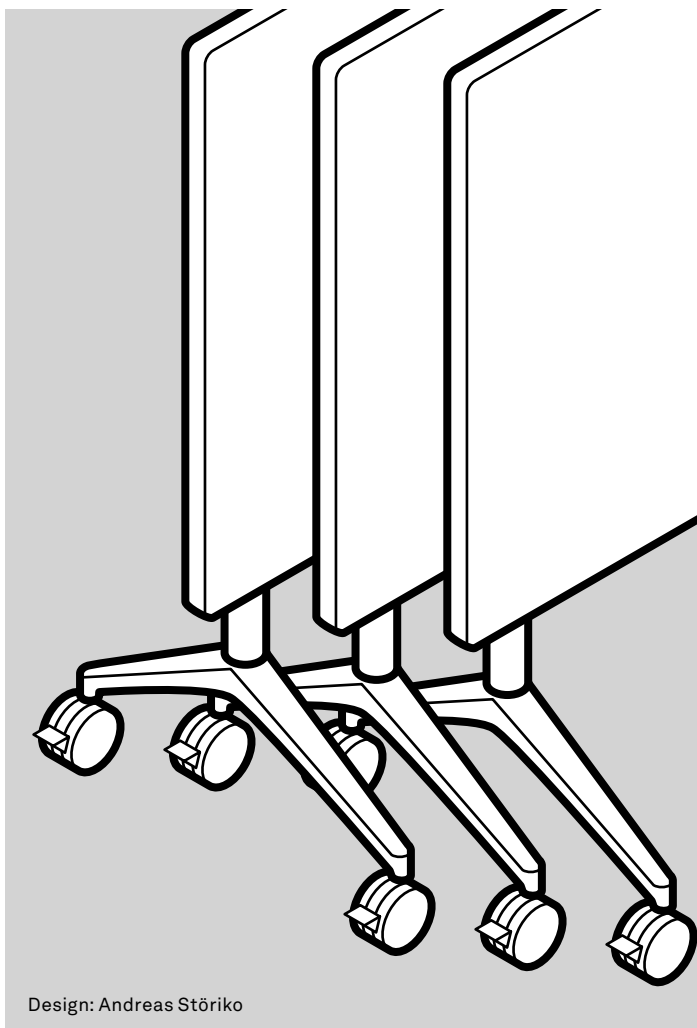
As well as adding connectivity to the long sides of the tables, it's also possible on the short sides too. Blocks of two, four, six and even eight tables can be supplied with just one lead. This means maximum flexibility in terms of table layouts.



There's even plenty of space in the cable channel for a mains adapter and residual cable.

Timetable Smart. 612 range. Technical details.

Wilkhahn



Design: Andreas Störiko

Function

Mobile table range with flip-top table tops, which lock automatically in a horizontal and vertical position. The models are a good choice for multi-use spaces designed for interactive and dynamic conference types in settings where people convene for meetings, workshops, projects, training courses and talks. Can also accommodate complex multi-media requirements thanks to its particularly robust design and the fact that the table tops can be flipped up and locked in a vertical position. As a result, it's ideal for multipurpose areas and temporary workspaces. A horizontal pull rod underneath the table flips it up. The integrated storage buffer allows staggered nesting of the tables at the sides. Ideal in combination with items from the Confair 440 range and panels from the Foldscreen 609 range.

Frame

Foot section in die-cast aluminum, bright chrome-plated or polished. Uprights and underframes in tubular steel, coated in black or with a silver satin finish. Table top bearer in steel profile, draw rod in round steel tubing, coated black. Lockable, height adjustable, swivel casters with a black polyamide tire are the standard version for carpeted floors; casters available with a polyurethane tire for hard floors (please specify when ordering). Models as of a 750 mm table depth have a bigger foot section and shorter uprights.

Core material of table top

Plywood with a bonded melamine resin surface with straight, color-matched plastic edging all the way round or optionally with plywood with bullnose or straight wood edging all the way round and with an integrated impact-resilient profile made of black elastomer or with straight plastic edging all the way round.

Table top group 1 – laminate

Table top thickness 26 mm

Variant 1

Laminate (single color) from Wilkhahn's color and surface samples with wood edging, natural oiled finish or color-matched plastic edging.



Standard type: Bullnose with impact-resilient profile

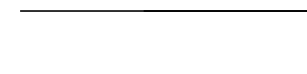


Alternatively: Straight edging with an impact-resilient profile



Straight plastic edging

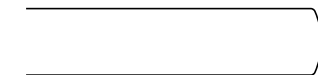
Wood decor laminate from the Wilkhahn color and surface samples with color-matched plastic edging.



Straight plastic edging

Variant 2

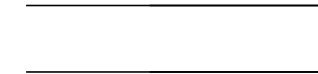
Soft matte laminate from the Wilkhahn color and surface samples with wood edging, natural oiled finish or color-matched plastic edging. Antireflective, anti-fingerprint soft touch surface.



Standard type: Bullnose with impact-resilient profile



Alternatively: Straight edging with an impact-resilient profile



Straight plastic edging

Subject to change.

Timetable Smart. 612 range. Technical details.

Wilkhahn

Table top group 2 – veneer



Standard type: Bullnose with impact-resilient profile



Alternatively: Straight edging with an impact-resilient profile

Table top thickness 26 mm

Variant 1

Beech, oak or ash veneer (exception: natural ash with chamfered edging not possible) from the Wilkhahn woodstain color samples with wood edging, color-matched as far as possible with the veneer.

Variant 2

Maple (exception: no maple with a natural finish with chamfered edging), walnut or elm veneer from the Wilkhahn woodstain color samples with wood edging, color-matched as far as possible with the veneer.

Veneer type

As a standard, the veneers are made by slip-match method. Surfaces sealed with clear lacquer: open-pore: Oak, ash, walnut and elm veneer closed-pore: Maple and beech veneer. Some specific growth features possible.

When placing repeat orders, please indicate whether your table tops have slip-matched or book-matched veneer.

Table top group 5 – bonded surface



Straight plastic edging

Table top thickness 25 mm

Bonded melamine resin surface in white, light or dark gray with plastic edging to colour-match the finish.

Further finishes for the formats shown in the price list are available on request.

Modesty panels (underneath the table)

Aluminum frame, coated with a silver satin finish, in anthracite or covered with black fabric. Black polyamide handles.

Table-table connectors (optional)

Metal table-table connectors Model 613: two lockable circlips made of black coated sheet steel with four star-grip screws and additionally for Timetable Smart: table-table connectors in plastic. Model 616: two rotatable circlips and two collets made of black through-dyed fiberglass-reinforced polyamide with washers.

Timetable Shift. 614 range.

Wilkhahn



Thinking big with the Timetable Shift range

Timetable Shift's frame was designed for large formats and goes perfectly with Confair folding tables and Logon tables. A U-shaped aluminum profile connects the two table legs with the characteristic double uprights. The profile also acts as a spacious cable channel for any power supply modules that might be added to the table, which in this case would be possible in the center too. Similarly to Timetable Smart, robust hinges allow the table top to be flipped up and an easy-to-use draw rod locks the table top in a horizontal or vertical position. The Timetable Shift comes in modular, combinable formats of 80 cm x 150 cm to 105 cm x 210 cm (31½" x 59" to 41⅝" x 82⅝") as well as two barrel-shaped single formats. The applications are therefore limitless, from temporary work spaces, to tables for meetings or conferencing systems. And what's more, Timetable Shift offers completely new options for furnishing conference rooms that can be partitioned in combination with the matching folding Confair tables and static Logon table components, which can be connected and disconnected in no time at all.

614 range, Timetable Shift, design: Andreas Störiko
with Sito cantilever chairs, design: wiege

Timetable Shift. 614 range.

Wilkhahn



The Foldscreen system's front and side panels quickly turn right-angled table formats in 80 cm – 100 cm (31 ½" – 39 ¾") depths by 150 cm – 200 cm (59" – 78 ¾") widths into mobile workspaces in multi-use offices. They can be stowed away compactly and users will find them quick to set up.

614 range Timetable Shift in a versatile conference room (with Confair folding tables in the background), design: Andreas Störiko, with Sito cantilever chairs, design: wiege.

Timetable Shift. 614 range.

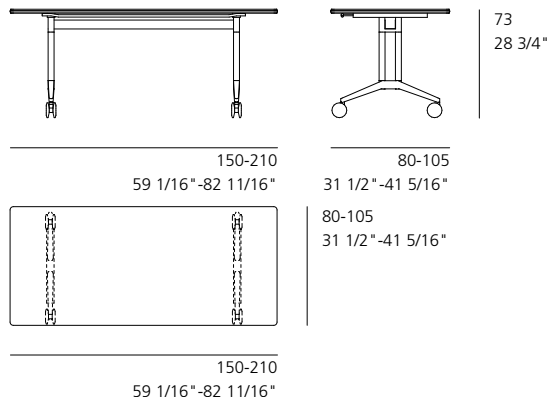
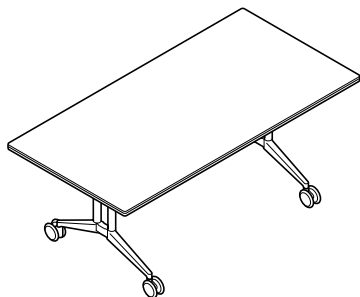
Wilkhahn



Timetable Shift. 614 range. Models and dimensions.

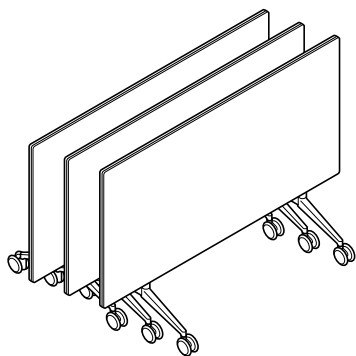
Wilkhahn

614/00 Timetable Shift

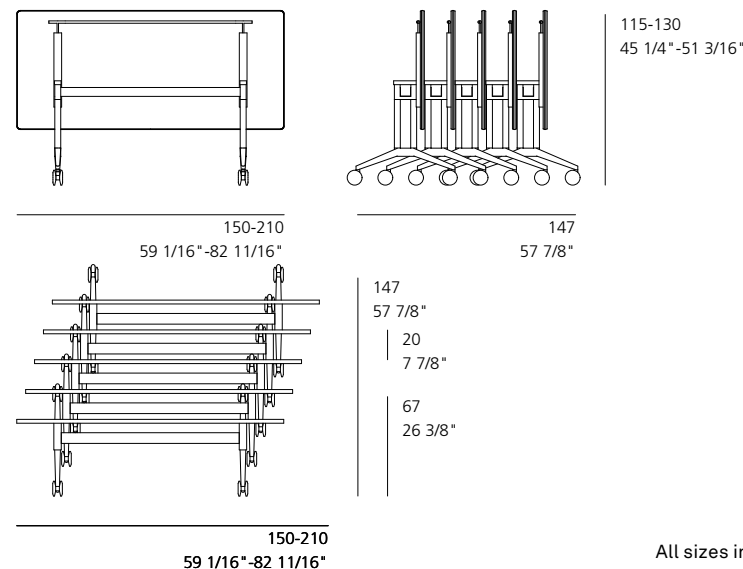
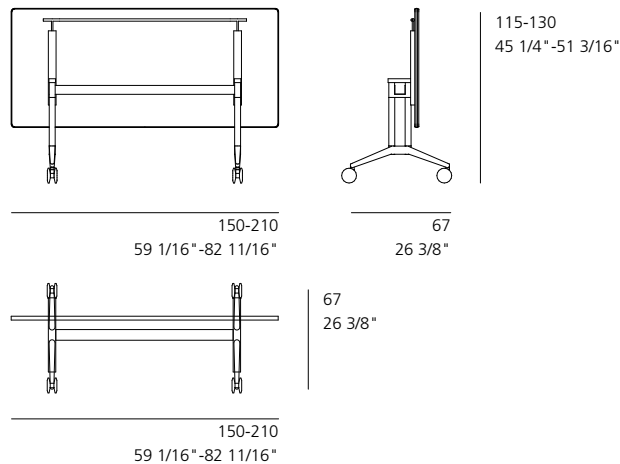


| Width | Depth | | | |
|----------------|---------------|---------------|----------------|----------------|
| | 80 31 4/8" | 90 35 3/8" | 100 39 3/8" | 105 41 3/8" |
| 150 59" | • | • | - | - |
| 160 63" | • | • | • | - |
| 180 70 7/8" | - | • | • | • |
| 200 70 7/8" | - | • | • | • |
| 210 70 7/8" | - | • | • | • |

- Available
- Not available



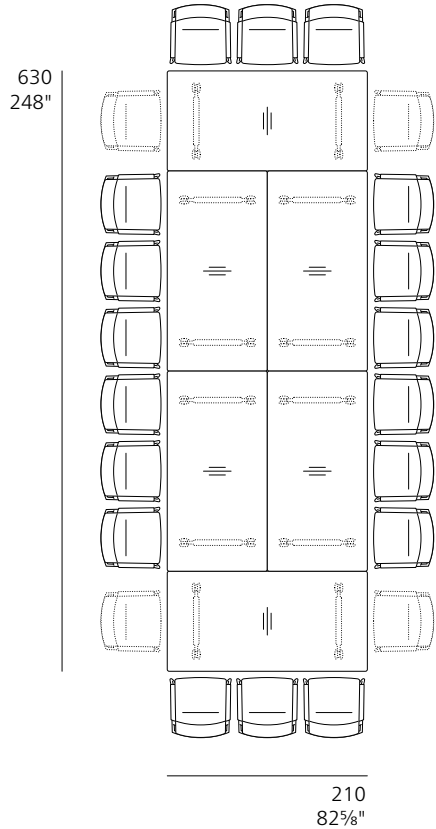
Depth per table 67 cm (26 3/8").
Only 20 cm (7 7/8") more for each
further table



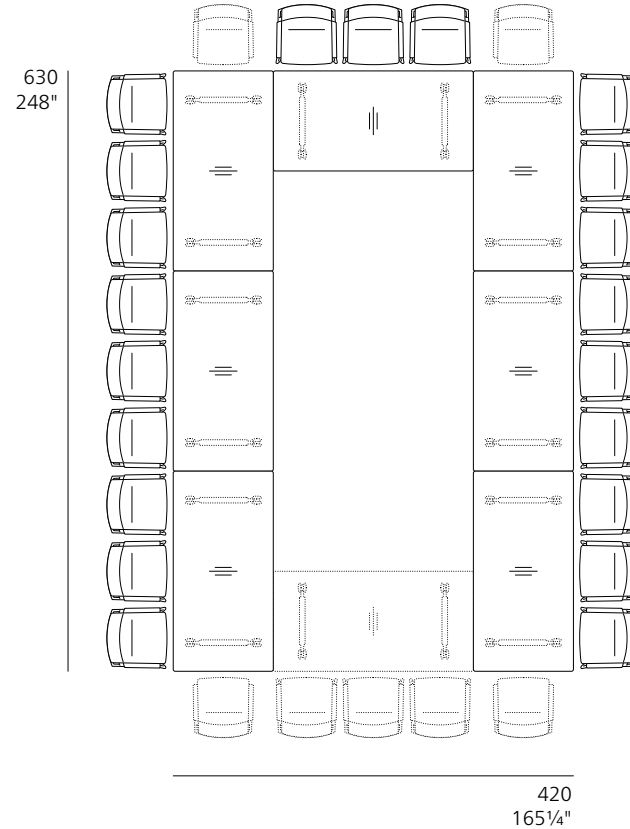
All sizes in metric and imperial measurements.
Subject to change.

Timetable Shift. 614 range. Example configurations.

Wilkhahn



18 (22) people,
Timetable Shift
6 × 614/00, 210 × 105 (82 $\frac{5}{8}$ " × 41 $\frac{1}{8}$ "")



21 (28) people,
Timetable Shift
7 (8) × 614/00, 210 × 105 (82 $\frac{5}{8}$ " × 41 $\frac{1}{8}$ "")

Timetable Shift. 614 range. Accessories and other items.

Wilkhahn



Integrated techni-station Basic



Integrated techni-station Basic



Single table portal Executive



Single table portal Executive



Integrated techni-station Rotate



Integrated techni-station Rotate



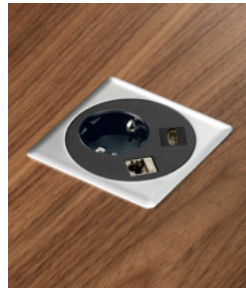
Single table portal Basic



Single table portal Basic



Integrated techni-station Move



Integrated techni-station Compact



Cable outlets



Socket strips



Table-table connectors 616, plastic



Techni-station Compact Add



Integrated techni-station Compact Duo

Please refer to the price list if you would like to integrate the techni-stations based on table models.

Timetable Shift. 614 range. Power Bar.

Wilkhahn



Even when tables are linked, the Power Bar makes supplying power to the Timetable Shift tables very easy. Instead of giving each table its own electricity supply, depending on the sockets and devices connected, several tables can be connected directly with one another at once. This cuts the number of connections required, the potential for tripping up, shortens set-up times in seminar and conference rooms and also means that spaces can also be used as temporary offices. The lockable and strain-relieved connecting system stems from stage equipment and rules out any risk of using it incorrectly, making it very safe. As a result, tables can be detached or added at any time. The table ranges remain flexible enough to be configured by users themselves without calling on any skilled personnel to do the job.

The Power Bar is fitted underneath the table top to the center underframe that doubles as a cable channel. The outlets are accessible via the cable portal (Basic or Executive version), which is placed in the middle.

Timetable Shift. 614 range. Power Bar.

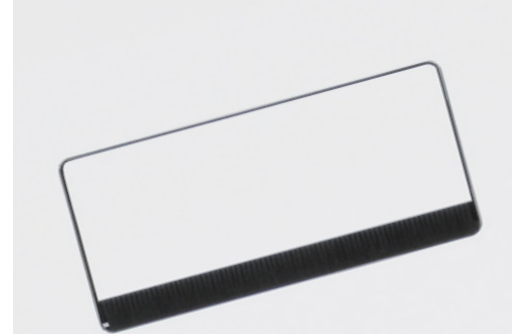
Wilkhahn



The supply lead is pushed in...



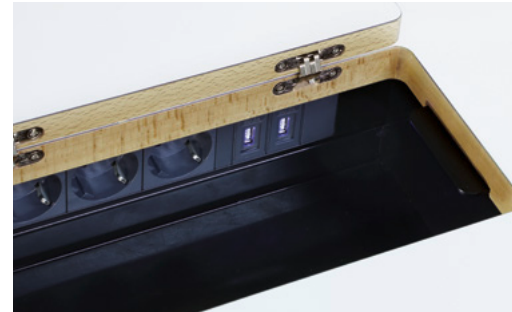
... and simply locked in place.



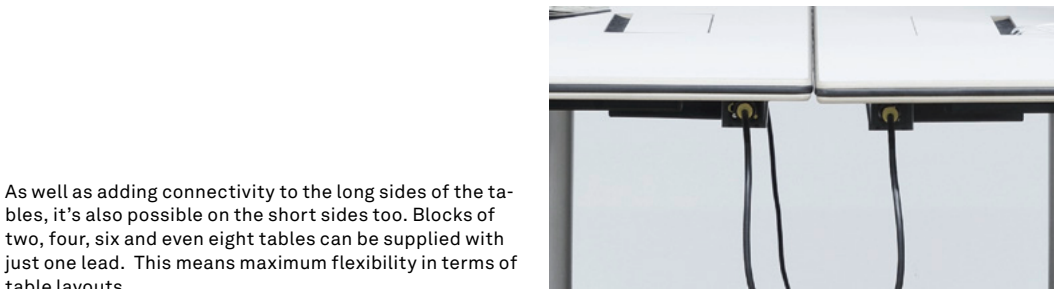
The next table can be connected via an extension lead to the other side of the Power Bar.



Depending on the cable length, the tables can also be placed at a distance.



High-quality cable lids, flush with the table tops, provide access to the four modules and the cable channel. Two power supply connections, two USB ports to recharge mobile devices and an extra slot to use as required check virtually all the boxes (as a standard, ports are available to German, French and British standards).



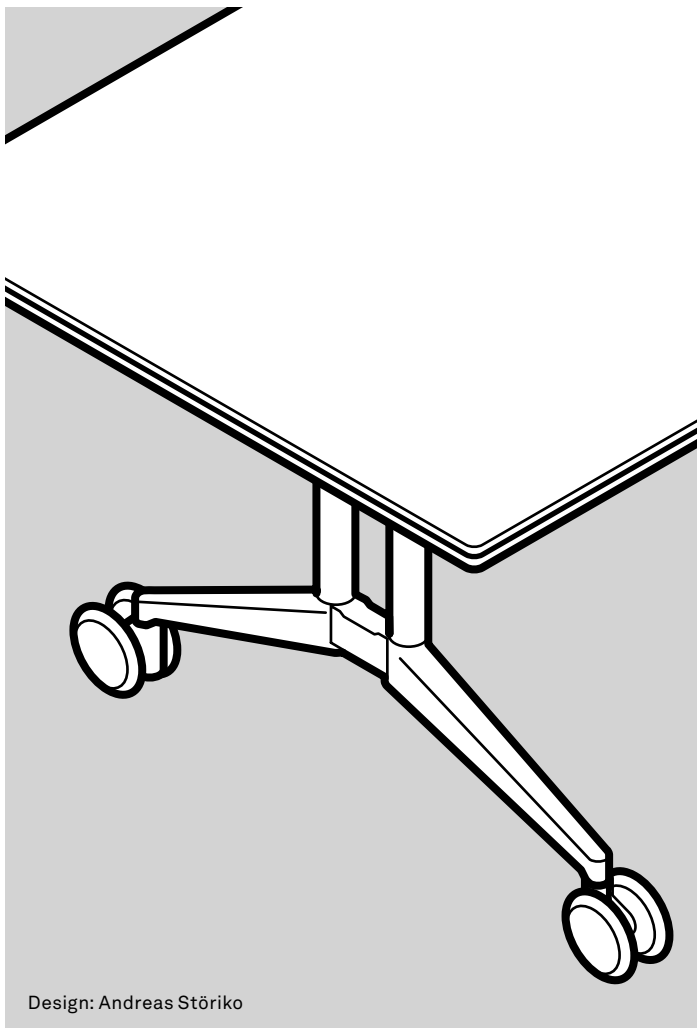
As well as adding connectivity to the long sides of the tables, it's also possible on the short sides too. Blocks of two, four, six and even eight tables can be supplied with just one lead. This means maximum flexibility in terms of table layouts.



There's even plenty of space in the cable channel for a mains adapter and residual cable.

Timetable Shift. 614 range. Technical details.

Wilkhahn



Design: Andreas Störiko

Function

Mobile table range with flip-top table tops, which lock automatically in a horizontal and vertical position. With an underframe connector, designed as a spacious cable channel, the models are a sound choice for multi-use spaces designed for interactive and dynamic conference types in settings where people convene for meetings, workshops and projects. Thanks to its particularly robust design and the fact that the table tops can be flipped up and locked in a vertical position, it's ideal for multipurpose areas and temporary workspaces and can accommodate complex multi-media needs in the center. A horizontal pull rod underneath the table flips it up. The integrated storage buffers allow compact, staggered nesting of the tables at the sides. Because the frame is virtually identical, it's perfect in combination with folding tables from the Confair 440 range and table systems from the Logon 620 range and further items from the Confair 440 range and panels from the Foldscreen 609 range.

Frame

Die-cast aluminum foot section, bright chrome-plated, polished or with a silver satin finish or black coating. Aluminum profile upright, clear anodized or silver satin finish, or black coating; in bright chrome-plated foot sections, coated in black. Upright optionally available with bright chrome plating. Aluminum profile underframe, with integrated cable channel, coated in silver satin finish or black depending on the foot section. Steel profile table top bearer. Round steel tubing draw rod, black or with a silver satin finish coating depending on the foot section. Lockable, height-adjustable polyamide swivel casters.

Standards

The Timetable Shift tables comply with the DIN EN 527 standard.

Core material of table top

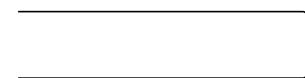
Plywood with bullnose or straight wood edging all the way round and with an integrated impact-resilient profile made of black elastomer or with straight plastic edging all the way round.

Table top group 1 – laminate

Table top thickness 26 mm

Variant 1

Laminate (single color) based on Wilkhahn's color and surface samples with wood edging, natural oiled finish or color-matched plastic edging.



Standard type: bullnose with impact-resilient profile



Alternatively: Straight edging with an impact-resilient profile



Straight plastic edging

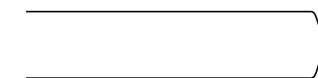
Wood decor laminate from the Wilkhahn color and surface samples with color-matched plastic edging.



Straight plastic edging

Variant 2

Soft matte laminate from the Wilkhahn color and surface samples with wood edging in natural oiled finish or color-matched with the plastic edging. Antireflective, antifingerprint soft touch surface.



Standard type: Bullnose with impact-resilient profile



Alternatively: Straight edging with an impact-resilient profile



Straight plastic edging

Subject to change.

Timetable Shift. 614 range. Technical details.

Wilkhahn

Table top group 2 – veneer



Standard type: Bullnose with impact-resilient profile



Alternatively: Straight edging with impact-resilient profile

Variant 1

Beech, oak or ash veneer (exception: natural ash with chamfered edging not possible) from the Wilkhahn woodstain color samples with wood edging, color-matched as far as possible with the veneer.

Variant 2

Maple (exception: no maple with a natural finish with chamfered edging), walnut or elm veneer from the Wilkhahn woodstain color samples with wood edging, color-matched as far as possible with the veneer.

Veneer type

As a standard, the veneers are made by slip-match method. Surfaces sealed with clear lacquer: open-pore: Oak, ash, walnut and elm veneer closed-pore: Maple and beech veneer. Some specific growth features possible.

When placing repeat orders, please indicate whether your table tops have slip-matched or book-matched veneer.

Modesty panels (underneath the table)

Aluminum frame, coated with a silver satin finish, in anthracite or covered with black fabric. Black polyamide handles.

Table-table connectors (optional)

Metal table-table connectors Model 613: two lockable circlips made of black coated sheet steel with four star-grip screws and additionally for Timetable Smart: table-table connectors in plastic.

Timetable Lift. 615 range.

Wilkhahn



The electrically height-adjustable Timetable Lift series redefines flexibility

Alternating between sitting and standing isn't just healthy in offices, it also fosters greater agility and interaction in collaborative spaces too. Which is why the Timetable Lift models take the mobility and flexibility of the Timetable principle to another dimension. At the touch of a button, the height can be adjusted electrically from 73 cm to 139 cm (28¾" to 54¾"), making the tables ideal for hot desking or scalable seminar, project, meeting and presentation tables where sit-stand options are fostered. The tables offer first-class design, are compact to stow away and wheel in if required. They can be set up in one easy step and set to the height required at the touch of a button. They are optionally battery operated, making them independent of the power supply. Furthermore, if Timetable Lift features table surfaces that can be written on and are also magnetic on request, it can be quickly flipped up and turned into a mobile projection screen and whiteboard. The 75 cm × 150 cm, 80 cm × 160 cm, 90 cm × 180 cm and 100 cm × 200 cm (29½" × 59", 31½" × 63", 35¾" × 70¾" and 39¾" × 78¾") table formats mean the tables can be used in all sorts of places, ranging from offices, seminar, innovations and project rooms. Thanks to the coordinated edge profiles and table and frame surfaces, they can be combined with all other Timetable models.

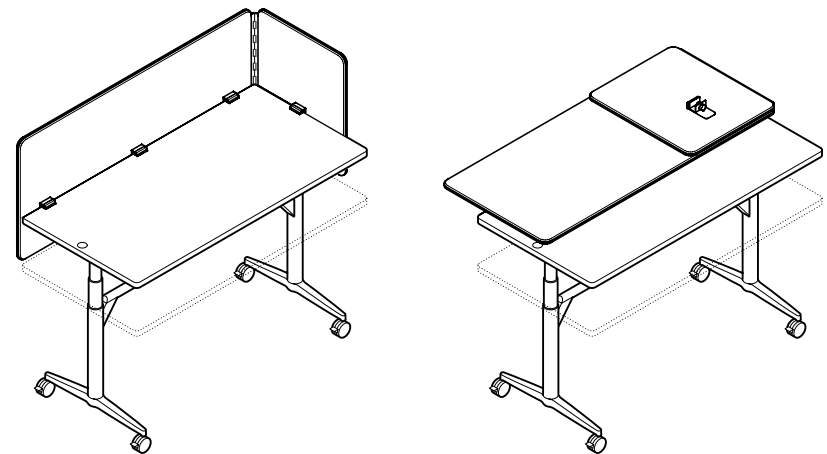
Timetable Lift. 615 range.

Wilkhahn



615/00 range Timetable Lift, design: Andreas Störko, with Foldscreen 609/10 and 609/11, design: Wilkhahn, with AT Mesh 187/71 task chair

For large formats, the Foldscreen system's fold-up and fold-down front and side panels attached to the table edges are ideal for people requiring more privacy and peace. If the table's used for meetings or as a whiteboard, the panels can be removed again in seconds.



Timetable Lift. 615 range.

Wilkhahn

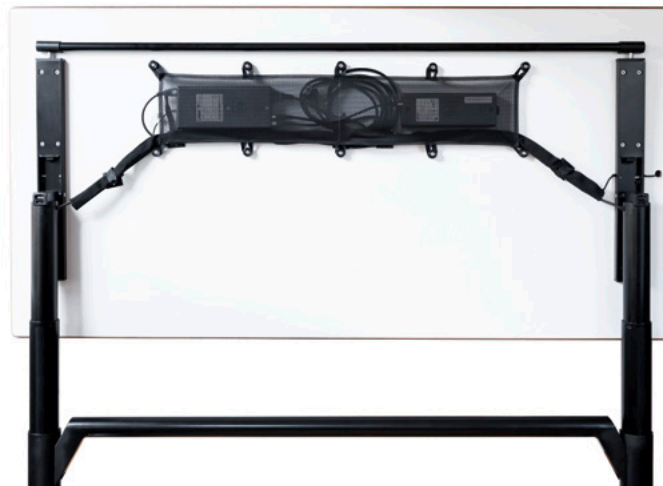


Timetable Lift. 615 range.

Wilkhahn



615 range, Timetable Lift, design: Andreas Störiko, with Stitz sitting-standing stools, design: ProduktEntwicklung Roehricht.



Teams can sit down while they're discussing the task at hand and switch from a standing to a presentation mode when it's time to collaborate by using the table's surface. With a magnetic whiteboard surface that can be written on, Timetable Lift turns into a versatile tool that encourages fitness, creativity and interaction. There's a starter kit with magnet holder, pens, a wiper, cleaning agent and magnets if the table top's used as a whiteboard. The power outlet and the optional battery box, which can be retrofitted at any time, are easy to access and compact to stash away in the mesh underneath the table top. Cordless operation means the table is independent of sockets and nobody trips up.

Timetable Lift. 615 range.

Wilkhahn



615 range, design: Andreas Störiko: Easy to store away and wheel to the position required, when used for project teams, Timetable Lift ensures that the number of workspaces and the layout can be adapted to suit what's required in no time. And by just pressing the flush-fitted button, the table's height is adjustable and also prompts people to alternate between sitting and standing too. The AT ESP (which stands for elevated seating position) office chair helps to integrate getting up intuitively into workflows, creating a unique combination of maximum flexibility and a state-of-the-art way of keeping people fit and healthy.



The table tops in the 615/10 range can be written on and are optionally magnetic. They also come with optional white, straight plastic edging, or with an extra impact-resilient profile.



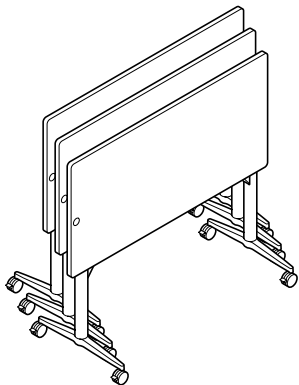
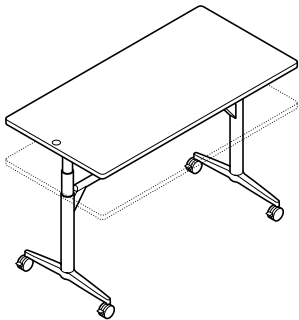
Timetable Lift. 615 range. Models and dimensions / Example configurations.

Wilkhahn

615/00

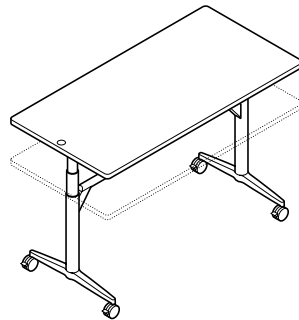
Electrically height adjustable (73 – 139 cm / 29³/₄" – 54³/₄")

Coated aluminum foot section,
coated uprights and underframes



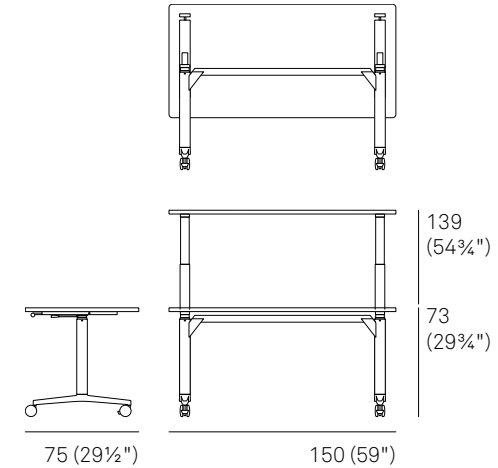
615/10

with board capability
electrically height-adjustable (73 – 139 cm / 29³/₄" – 54³/₄")
white table top, can be written on with board marker pens, can be used as a projection screen
Coated aluminum foot section,
coated uprights and underframes



Timetable Lift is available with table tops in the following sizes: 75 × 150 cm, 80 × 160 cm, 90 × 180 cm, 100 × 200 cm (29¹/₂" × 59", 31¹/₂" × 63", 35³/₈" × 70⁷/₈", 39³/₈" × 78³/₄").

The choice of frame and table top surfaces as well as edging taps into a wide range of design options and ensures it can be combined perfectly with the other Timetable models. It's ideal for project and seminar rooms, meeting and conference spaces or executive offices.



| | Depth | | | |
|-----------------------------------------|----------------------------------------|----------------------------------------|----------------------------------------|-----------------------------------------|
| Width | 75 (29 ¹ / ₂ ") | 80 (31 ¹ / ₂ ") | 90 (35 ³ / ₈ ") | 100 (39 ³ / ₈ ") |
| 150 (59") | • | | | |
| 160 (63") | | • | | |
| 180 (70 ⁷ / ₈ ") | | | • | |
| 200 (78 ³ / ₄ ") | | | | • |

• Available

Room depth per table 70 cm (27¹/₂").
Only 12 cm (4³/₄") more for each further table.

All sizes in metric and imperial measurements.
Subject to change.

Timetable Lift. 615 range. Accessories.

Wilkhahn



Whiteboard Pro set: The high-quality, magnetic felt pouch can be filled from both sides to accommodate pens, sponges and cloths or hung over the under-frame or the flipped-up table top.

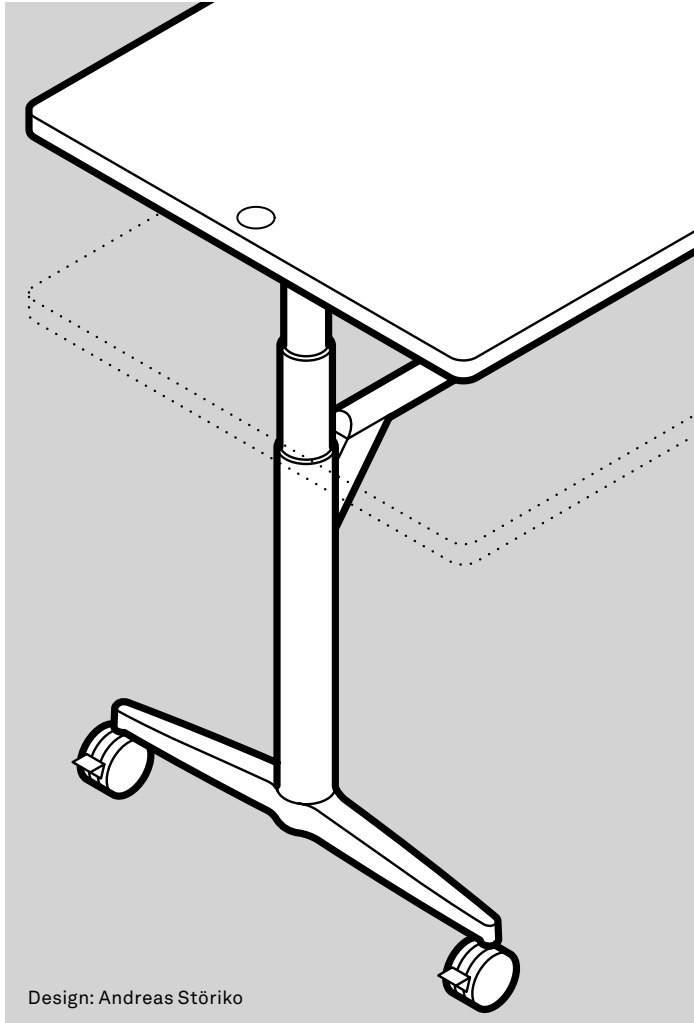


The optional battery is just clipped into the holder underneath the table top.



Timetable Lift. 615 range. Technical details.

Wilkhahn



Design: Andreas Störiko

Function

A mobile table range with flip-top table tops. The Timetable range is ideal when combined with the Confair and Logon table ranges for multipurpose use of high-quality training, conference, presentation and meeting rooms. With a flip-top table top, Timetable tables nest compactly into one another, Timetable Lift comes with a locking mechanism and staggered storage when the tables nest into one another. Timetable Lift is electrically height-adjustable (73-139 cm), optionally battery operated. With a surface that can be written and that's optionally magnetic for use as a whiteboard and projection screen.

Frame

Aluminum foot section, bright chrome-plated, polished or with a silver satin finish or black coating. Electric telescopic column with an integrated sensor to stop things getting stuck in it. Uprights and crossways underframe in tubular steel, coated in black or with a silver satin finish. Table top bearer in steel profile, draw rod in round steel tubing, coated black. Lockable, height-adjustable, swivel casters with a black polyamide tire are the standard version for carpets; casters available with a polyurethane tire for hard floors (please specify when ordering). The electrical control, including a three-meter supply lead and cable mesh, as well as the fitting for the optional battery are mounted underneath the table top.

Core material of table top

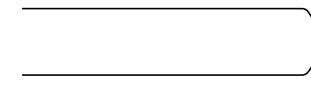
Plywood with bullnose (double) or straight wood edging all the way round with integrated impact-resilient profile made of black elastomer or with straight, plastic edging all the way round. Timetable Lift has an integrated button to adjust the height.

Table top group 1 – laminate

Table top thickness 26 mm

Variant 1

Laminate (single color) based on Wilkhahn's color and surface samples with wood edging, natural oiled finish.



Standard type: bullnose with impact-resilient profile



Alternatively: straight edge with impact-resilient profile

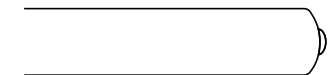
Wood decor laminate from the Wilkhahn color and surface samples with color-matched plastic edging.



Straight plastic edging

Variant 2

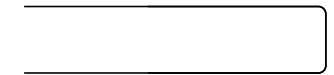
Soft matte laminate from the Wilkhahn color and surface samples with wood edging in a natural oiled finish or color-matched with the plastic edging. Anti-reflective, soft-touch surface with anti-fingerprint characteristics.



Standard type: bullnose with impact-resilient profile



Alternatively: straight edge with impact-resilient profile



Straight plastic edging

Subject to change.

Timetable Lift. 615 range. Technical details.

Wilkhahn

Table top group 2 – veneer



Standard type: bullnose with impact-resilient profile



Alternatively: straight edge with impact-resilient profile

Table top thickness 26 mm

Variant 1

Beech, oak and ash veneer from the Wilkhahn woodstain color samples with wood edging, color-matched with the veneer as far as possible

Variant 2

Maple, walnut or elm veneer from the Wilkhahn woodstain color samples with wood edging color-matched as far as possible with the veneer.

Veneer type

As a standard, the veneers are made by slip-match method. Surfaces sealed with clear lacquer: open-pore: Oak, ash, walnut and elm veneer closed-pore: maple and beech veneer. Some specific growth features possible.

Table top with whiteboard



Straight plastic edging



Alternatively: straight plastic edging with impact-resilient profile

Battery box

Compact and powerful lithium ion battery with 2.2 AH capacity, allowing the table to be raised about 40 times after being fully charged. With an LED charge indicator and acoustic signal to indicate that recharging is required. With retrofittable charger.

Standards

The height-adjustable tables comply with the DIN 147 technical report and DIN EN 527, as well as the GS requirements.

When placing repeat orders, please indicate whether your table tops have slip-matched or book-matched veneer.

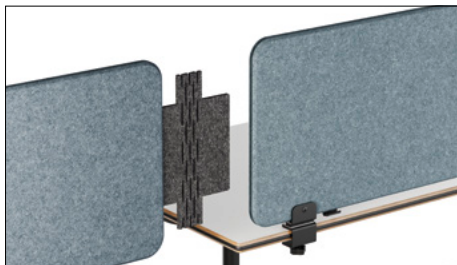
Foldscreen. 609 range.

Wilkhahn



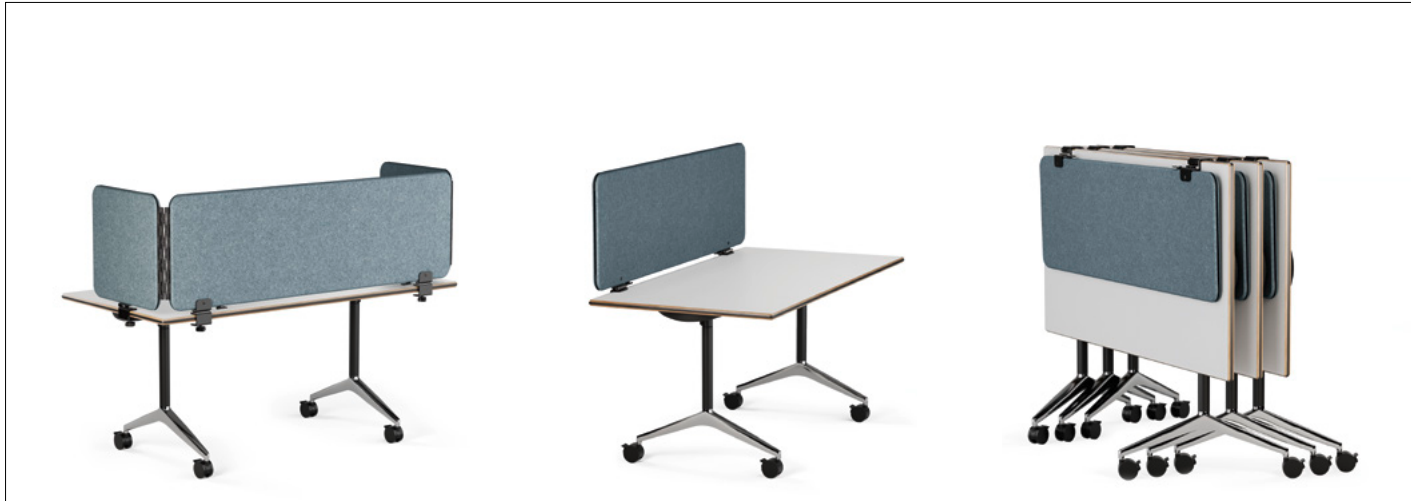
The fold-up and fold-down Foldscreen panel system – an ingenious option if more peace and quiet are required

The Timetable family might be used in the mornings for training sessions, at lunchtimes for conferences and in the evenings as hot-desking workspaces. It's difficult to think of any other table that is more future-proof or offers such flexibility. The modular Foldscreen range provides privacy and absorbs sound, making it an excellent choice for areas where people require their own space or need to concentrate more. What's so clever is that the Foldscreen modules aren't just simple to attach to and remove from the table top without any tools, but the hinges on the front panels and the ingenious, slot-in folding linkage strip on the optional side panels can be folded down onto the table top and flipped up with it as well. As a result, even with Foldscreens attached, the Timetable tables are still just as flexible. If required, the tables are perfect for pop-up offices and, with flipped-up table tops, they're compact to stow away, quick to wheel in and fold up in seconds. Whether used individually, or as part of a group or linked to form a modular workbench in conjunction with a Timetable, Timetable Smart, Timetable Shift or sit-to-stand Timetable Lift, the Foldscreen system has now turned the mobile table family into a champion in agile working environments.



Foldscreen. 609 range.

Wilkahn



The Foldscreen modules are pinnable on the front or back and 50% of the material they are made from is recycled. They come in a lightweight design made of dark gray, sound-absorbing and self-supporting PET acoustic fleece, which can optionally be covered in fabric. Although it can be folded, is lightweight and therefore very flexible to use, good sound absorbency levels (class C) are achieved and, in the category of panels up to 30 mm ($\frac{1}{4}$ "") thick, the results are exceptional. Depending on the functions required and the table's proportions, the Foldscreen modules can be attached as front and side panels, which are 40 cm or 50 cm ($15\frac{1}{4}$ " or $19\frac{5}{8}$ "") in height, or as front and side panels attached at the back of the table or on the side edges, which offer an extra 30 cm ($11\frac{3}{4}$ "") privacy underneath the table top in both cases (total heights are then 70 cm ($27\frac{1}{2}$ "") and 80 cm ($31\frac{1}{2}$ "")). In the case of cable widths up to 160 cm (63"), the front panels are attached with two, and as of table widths from 180 cm ($70\frac{7}{8}$ ""), with three quick-lock hinges to the table edge. The side panel also has a clamp that slots onto the table edge and a flexible, magnetic folding linkage strip that is inserted with magnets into the groove on the panels at the side. As a result, each table can be fitted with a retractable front panel or with an additional side panel on one or both sides. A 17 mm ($\frac{5}{8}$ "") distance between the panels and table surface remains so that cables can be placed on the table at all times, and, when connected behind the table surface, the distance to the table edge is 8 mm ($\frac{3}{8}$ "").



Foldscreen. 609 range.

Wilkhahn

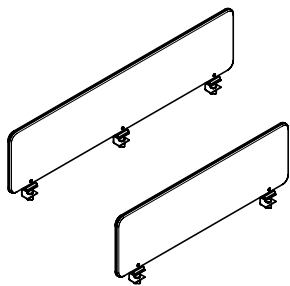


610 range, design Andreas Störiko with IN office chairs, design wiege: Whether it's used for training sessions or pop-up offices, combined with Foldscreen, Timetable becomes a champion in agile working environments.

Foldscreen. 609 range. Models and dimensions.

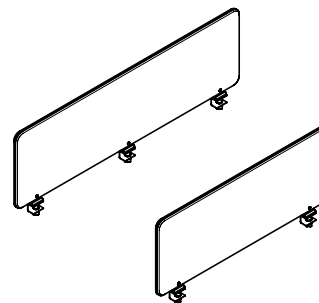
Wilkhahn

Models 609/10



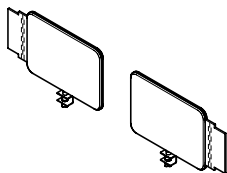
Front panels, retractable, table-mounted, with a magnetic connector on both sides to insert side panels, **privacy height 40 cm (15 3/4")** over the table, available for table widths of 140 cm to 200 cm (**55 1/8" to 78 3/4"**).

Models 609/12



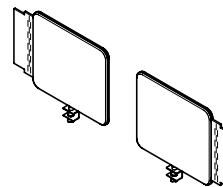
Front panels, retractable, table-mounted, with magnetic fasteners on both sides to insert the side panels, **privacy height 50 cm (19 5/8")** over the table, for table widths from 140 cm to 200 cm (**55 1/8" to 78 3/4"**).

Models 609/11



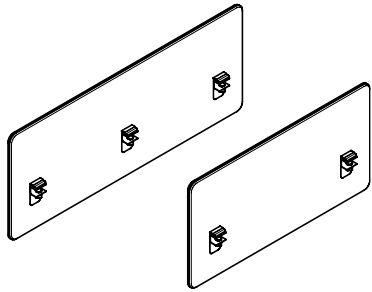
Side panels, can be folded in, table-mounted, including hinge to connect with the front panel, can be used on the right and left, **privacy height 40 cm (15 3/4")** over the table, for table depths of 70 cm to 100 cm (**27 1/2" to 39 3/8"**).

Models 609/13



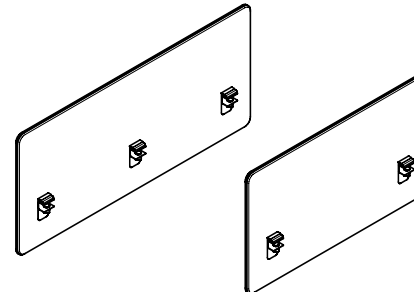
Side panels, can be folded in, table-mounted, including hinge to connect with the front panel, can be used on the right and left, **privacy height 50 cm (19 5/8")** over the table, for table depths from 70 cm to 100 cm. (**27 1/2" to 39 3/8"**).

Models 609/20



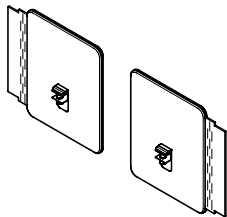
Front panels, retractable, mounted behind the table, with magnetic fasteners on both sides to insert the side panels, **privacy height 70 cm (27½")** (40 cm (15¾") over and 30 cm (11¾") below the table) for table widths of 140 cm to 200 cm (**55½" to 78¾"**).

Models 609/22



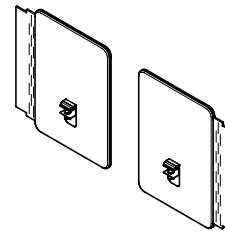
Front panels, retractable, mounted behind the table, with magnetic fasteners on both sides to insert the side panels, **privacy height 80 cm (31½")** (50 cm (19⅝") over and 30 cm (11¾") below the table) for table widths of 140 cm to 200 cm (**55½" to 78¾"**).

Models 609/21



Side panels, can be folded in, mounted behind the table, including a linkage strip to connect with the front panel, can be used on the right and left, **privacy height 70 cm (27½")** (40 cm (15¾") over and 30 cm (11¾") below the table) for table depths of 70 cm to 100 cm (**27½" to 39¾"**).

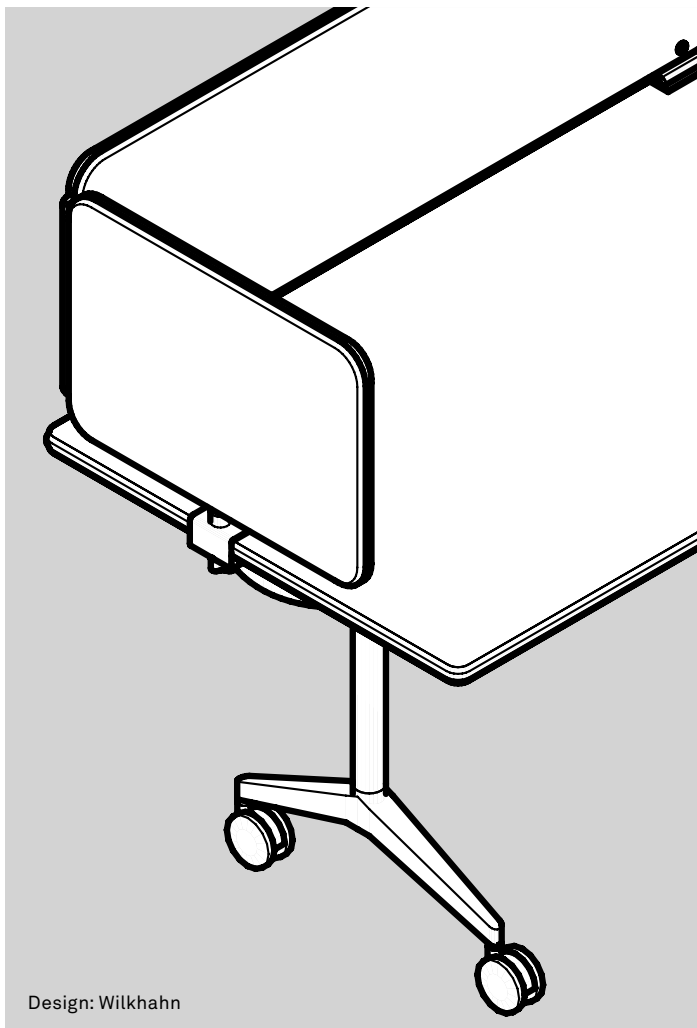
Models 609/23



Side panels, can be folded in, mounted behind the table, including a linkage strip to connect with the front panel, can be used on the right and left, **privacy height 80 cm (31½")** (50 cm (19⅝") over and 30 cm (11¾") below the table) for table depths of 70 cm to 100 cm (**27½" to 39¾"**).

Foldscreen. 609 range. Technical details.

Wilkhahn



Design: Wilkhahn

Function

A modular system of front and side panels that are pinnable on both sides. They can be fitted to and removed from the table top or table edge without any tools required. For mobile, flip-top desks or single folding tables, they provide effective privacy and help to shut out noise. Thanks to the hinged brackets integrated into the clamps on the front panels and the folding linkage strips that can be slotted into the optional side panels, the Foldscreen modules are easy to attach or remove from the flip-top table tops. As a result, when used flexibly in agile workspaces, these modules are very practical. When the table top is flipped up, they can be stored in a space-saving way, the tables can be wheeled in as required and the modules are just as quick to attach and remove. And because their distance to the table top (when table-mounted) is 17 mm or 8 mm to the edge of the table (when mounted at the rear of the table), adding power modules is flexible too. Therefore, Foldscreen is the perfect complement to highly flexible, mobile table ranges, such as the Timetable family or the mAx folding table (stand-alone tables). It acts as a privacy screen and reduces ambient noise effectively in (temporary) single-desk workspaces or is a flexible way of creating different zones for teams in block or row layouts (workbench).

Materials

Lightweight panels made of sound-dampening, self-supporting PET acoustic fleece, up to 50% of which is recycled material, available in an anthracite color, optionally also covered with fabric. Three-ply, 27-mm-thick sandwich structure (with integrated reinforcements where the clamps are positioned) for sound absorption class C. Pinnable on the front and on the back.

Front panels

Front panels with shadow grooves all the way round and magnets fitted to the sides to attach the side panels' flexible folding linkage strips. For up to 160 cm table widths with two, above that with three integrated clamps with hinged brackets made of steel, which keep the panel in an upright and stable position and allow it to be folded down by 90° onto the table top, optionally in black textured matte finish or coated with a silver satin finish, for attachment to bullnose or straight table edges for table tops from 25 mm to 30 mm thick.

Side panels

(Only in conjunction with front panels), in the same material, with steel clamp, to match the front panel in black with a textured matte finish or with a silver satin finish, to be attached to bullnose or straight table edges for table top thicknesses of 25 mm to 30 mm with a locking mechanism consisting of a stainless steel pin and a plastic clip. Thanks to the flexible and magnetic folding linkage strips, they can be inserted into the groove at the side and attached to the front panel on the right or left. The folding linkage strip is made of sound-absorbent PET acoustic fleece folded lengthwise, up to 50% of which has been recycled, it comes in an anthracite color and can be slotted into the front and side panel.

Depending on the amount of recycled material used to make it, there can be differences in the color and texture of the PET acoustic fleece. Fabric-covered versions ensure that the colors and textures are the same.

Subject to change.

Timetable. Environment and product.

Wilkhahn



Timetable. A space-saving, repair-friendly and easy-to-recycle table.

Using Timetable helps sustainably improve a building's eco footprint. Compared with the ecological costs of the rooms' facility management, maintenance and energy that the innovative concept can save, the environmental impact involved in obtaining the materials, production and recycling is hardly worth talking about. And then there are all the social benefits that the products entail. Active participation in configuring spaces and better acoustics guarantee better fitness and mental health, which pays dividends in terms of improved engagement on the part of the workforce, faster change processes, less time-consuming facility management and huge savings in terms of space and rooms and a better carbon footprint. What's more, the design, principles and materials meet all the typical Wilkhahn requirements when it comes to an ecologically responsible design concept. The design is timeless and doesn't copy what's currently in vogue:

- Its form and function are in perfect harmony. All components are screwed together and can therefore be repaired, replaced or dismantled at the end of a long product life and most of them can be mono-fraction sorted and recycled.
- The frame materials marry exceptional dimensional stability with perfect and aesthetic craftsmanship and a strong recycling focus. Most of the aluminum in the foot sections and

beam, the steel in the uprights and stabilizing core, as well as the zinc in the synchro-adjustment mechanism, consist of recycled materials and can be returned to the recycling loop afterward. The four lockable casters and synchro-adjustment mechanism's guideways are made of high strength plastic to ensure superior durability.

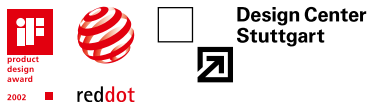
- The table top is made of E1 class particle board with wood edging and can also be fully recycled. Natural materials like laminates and genuine wood veneers are used as surfaces and FSC-certified on request. Varnish low in solvent content protects the veneered table tops. The optional, in-built polypropylene impact-resilient profile protects the edges and therefore increases durability.

As the first of its kind, Timetable, with its flip-top table top, is a new table generation whose flexibility means it's always in use in all sorts of settings. It doubles as a desk, dining, training or conference table in the office or at home. It can handle whatever challenges the future might bring and is the epitome of integrated sustainability in every respect.

Milestones of socio-ecological development at Wilkhahn

- 2019 and 2020 Presented with the Architects' Darling Award as a winner of the cradle-to-cradle challenge
- 2018 Wilkhahn receives the B.A.U.M. environmental prize and an award from the Lower Saxony Alliance for Sustainability.
- 2013 The company is connected to the district heating grid of a biogas plant nearby
- 2012 The ON office chair is presented with the Federal Ecodesign Award
- 2009 Wilkhahn signs a framework agreement with German trade union BHI (Building and Woodworkers International) on worldwide compliance with core ILO labor standards at Wilkhahn and its suppliers via in-house controls and external monitoring by German trade union IG Metall.
- 2008 A combined heat and power plant based on renewables is commissioned.
- 2001 First company in the state of Lower Saxony with EMAS 2 European environmental standard certification.
- 2000 Publishes one of the first medium-sized business reports on sustainability
- 1997 Corporate Conscience Award from the Council on Economic Priorities, New York
- 1996 German Environmental Prize from the German Environmental Foundation
- 1992 The first ecologically designed production facilities with a photovoltaic roof and launch of the first office chair range to be developed based on the ecological design concept.
- 1989 Mission statement on ecological changes at Wilkhahn: "The administrative and management board have jointly decided to take ecological concerns seriously and to place greater emphasis on them than a quick profit".

Awards



Not all the awards apply to all variants.

Timetable. Environmental product information.

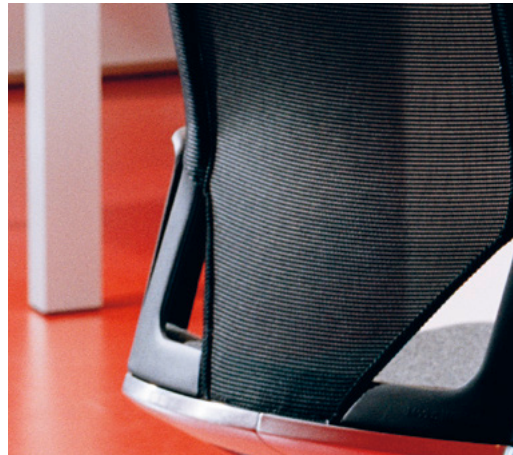
Our antidote to the throw-away society is to provide products where form, function and materials have a purpose and are long lasting. Our product responsibility concept therefore follows well-defined guiding principles.



1. Avoid waste – “the longer and better”

is the remit to our product development team. We achieve this thanks to:

- useful innovations that make life easier and more pleasant in the long term;
- durable quality of materials, surfaces and technical solutions, which guarantees quality, even years later;
- distinctive, timeless and appealing designs with the potential to become classics;



2. Reduce – “less is more”

is more than just a design principle to us, it means:

- we cut down on the materials used in order to make handling easier and to preserve resources;
- we use energy in manufacturing efficiently, for example by drawing on district heating and heat recovery in manufacturing;
- we reduce emissions, by utilizing solar power and climate-neutral energy sources (cutting CO₂).



3. Recover – “Reuse + Recycle”

In this case, the goal is to continue to use the whole product or parts of it and recycle it at the end:

- Because the products are modular, expendable parts can be exchanged and features added or retrofitted (e. g. armrest types, covers, cushions, surfaces).
- Connecting points in the product can be dismantled for easy repair.
- Where possible, we use pure materials that are marked as such, making them ideal for recycling.



4. Fairness – responsibility all along the line

At Wilkhahn, environmental and social responsibility have an equal weighting. Health and safety, training, active participation by and fair pay for employees are integral to our corporate culture. As a result, we actively encourage our suppliers and customers worldwide to improve working conditions. Which is why Wilkhahn joined Global Compact and signed an international framework agreement with the International Labor Organization (ILO) on global recognition and fostering of employee interests.

Timetable. Environmental product information.

Guiding principles.

Honest product design

We strive to develop durable products, increase their utility value and reduce waste. "Less is more" or "reduce to the max" are principles that Wilkhahn constantly reinterprets for the future. Ecological design guidelines are integral components of Wilkhahn product development.

A spirit of fairness

We focus on people. This implies a collaborative management style which sees employee representatives as co-managers who help shape the company. The workforce's participation in the company's success, the development of new styles of working with semi-autonomous groups and project work, as well as an established health-management system are expressions of Wilkhahn's social approach.

Ecological responsibility

Wilkhahn supports sustainable development. The balance we seek to strike between financial, ecological, social and cultural objectives in order to maintain independence defines Wilkhahn's corporate culture. Compliance with ecological quality criteria throughout the product life cycle is one of the ways we gauge our own success.

Responsibility from the very start – Wilkhahn's environmental product information.

The environmental impact of all Wilkhahn products throughout their whole product lives, which includes production of the feedstock, manufacture, use and disposal of the products, was assessed based on a life-cycle analysis (LCA).



Wilkhahn



Materials

Socio-ecological assessment of the production of the feedstock, the procurement process, the materials used and their characteristics.



Production

Socio-ecological assessment of the production and assembly processes by environmental-management and social-audit systems.



Product use

Socio-ecological assessment of the product utility phase regarding: Design, ergonomics, durability, customer service, availability of spare parts.

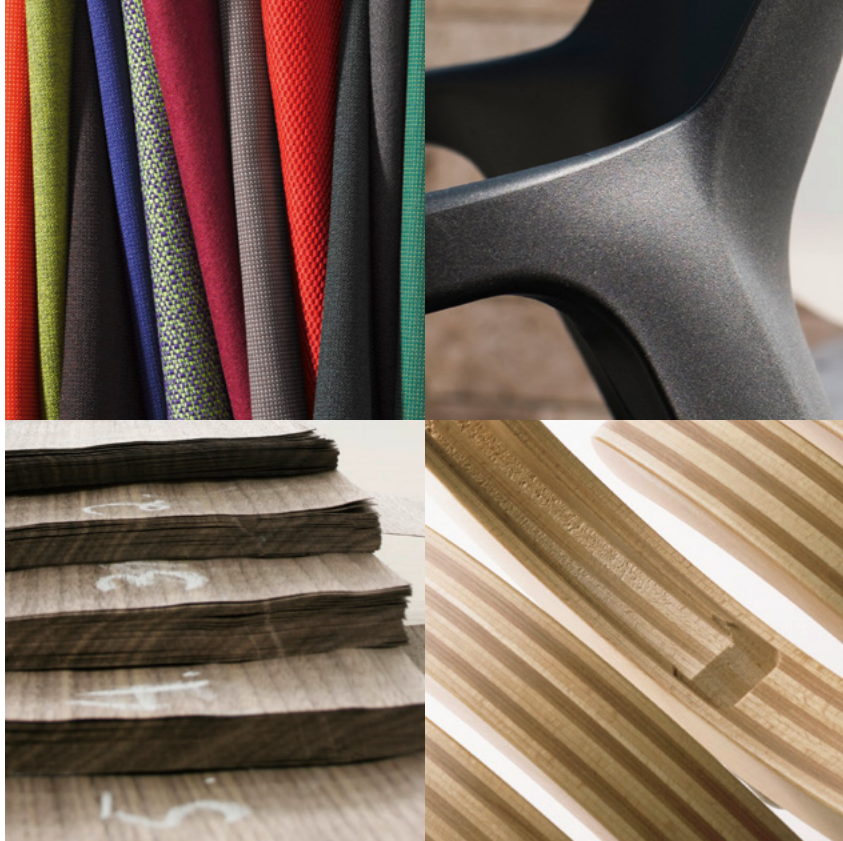


End of the product life-cycle

Socio-ecological assessment of the product after the end of its useful life: Disassembly and recycling capabilities, disposal and product take-back.

Timetable. Environmental product information.

Wilkhahn



Materials.

International product and material standards.

During all phases of a product's development, we're demanding when it comes to the characteristics of our products, the quality of the materials and components, as well as the standard of our craftsmanship. Therefore, Wilkhahn products fulfil all relevant international office-furniture standards in terms of durability, safety and ergonomics. And what's more, many Wilkhahn products have also been awarded the GS symbol which rates them as being safe and as suitable for interiors as specified by Greenguard™. The materials Wilkhahn uses such as fabrics, leather, wood, plastics or metals are primarily made by highly specialized suppliers. Our product-development department specifies the technical and aesthetic characteristics that these materials have to fulfil. Our specifications on for example strength, color-fastness, durability and other characteristics that affect the quality of our products are clearly outlined by international material standards. Rules of thumb are as follows:

- the fabrics and leather used by Wilkhahn are low on emissions and help to provide good air quality in buildings and working environments;
- wherever possible, Wilkhahn works with ecological upholstery fabrics, such as wool fleeces, cork and coconut fiber;
- all Wilkhahn polyurethane foam is free of CFCs and has no halogenated flame retardants. This helps protect the climate and is important for recycling capabilities at a later date. Nevertheless, Wilkhahn products can also fulfil special requirements as regards fire safety in public buildings, for example by applying flame-retardant upholstery fabrics. Additional flame-retardant materials are only added if required by our customers' stringent fire safety regulations.
- The powder-coated metal finishes of the table and chair frames are hard-wearing and made without any solvents or heavy metal.
- Chrome-plated metal finishes have no harmful chrome compounds (as specified in EN 71-3).

Wilkhahn attaches huge importance to the fact that its products and the associated materials, procedures and processes are responsible in social and ecological terms. Therefore, integrated audits help us check that our partners in the Wilkhahn supply chain comply with these aspects too. We check the quality of our products by inspecting incoming goods according to established criteria. Before processing, our materials are scrutinized and the finished results checked again by trained staff before forwarding to the next department.

Timetable. Environmental product information.

Wilkhahn



Production.

Integrated management system

Wilkhahn headquarters in Bad Münde (Germany) are EMAS-validated and certified to ISO 14001. Wilkhahn supports relevant certification on the part of its suppliers. Wilkhahn's main production site is certified to ISO 9001. In selecting suppliers, comprehensive and proper quality management are very important to Wilkhahn.

Water conservation, material management and sustainable energy production

Water is becoming an increasingly important resource. Wilkhahn is pulling out all the stops to minimize water consumption during production and to ensure water quality is not impaired.

By treating and recycling process water, the quantities of waste water considered hazardous have been cut by 80 percent. The Wilkhahn waste management concept includes sorting waste selectively, as well as recycling and disposing of all waste fractions resulting from the production and management departments.

All Wilkhahn production facilities ensure compliance with labor and social responsibility standards, as required by the ILO (International Labor Organization). Our partnership with suppliers is based on compliance with this agreement.

Sustainability in the supply chain.

Our environmental and social responsibility doesn't stop at the gates to our own factories.

If within its power, Wilkhahn requires and promotes fair and safe working conditions and processes that don't harm the environment. Frequent assessment and on-site visits to top suppliers create trust and sustainability in the supply chain too.

Employees as partners.

Our maxim is fairness and aspects like trust and reliability define Wilkhahn's management culture and the way it involves its own workforce. Active participation by all employees is a driving force in encouraging continual and successful improvements in the environmental sector too. Whether it's a question of avoiding hazards in the workplace, of new manufacturing technologies, or of saving materials and energy – all employees can contribute their ideas for improving Wilkhahn at any time via the company's ideas management process.

Health and safety

Wilkhahn applies a wide range of measures to ensure that workspaces in the Wilkhahn production department are safe and allow as risk-free an approach as possible. This is achieved by:

- planning safe procedures and workspaces;
- organizing and defining responsibilities;
- informing people about the risks the workspace entails and taking measures to avoid these;
- regularly inspecting working environments to maintain safety and cleanliness in all areas;
- using the health and safety committee to frequently discuss risk potentials and systematically avoid accidents.

Timetable. Environmental product information.

Wilkhahn



Usage.

Aesthetics and design

Sustainable products must be practical. The timeless aesthetics of Wilkhahn products provide added value, making them options that are set to endure. Office work today requires maximum flexibility in terms of spaces, usage concepts, processes and people. New studies show that aesthetics have a direct impact on health.

Durability and guarantee

Product design to last is our antidote to the throw-away society. Therefore, Wilkhahn products focus on providing maximum utility value, durability and protecting resources. This means top quality that can be experienced, is consistent and perfect. It delivers timeless, distinctive design that is fascinating due to its simplicity, honesty and appeal to all the senses. Pioneering innovations are included that really give our customers constant added value in terms of ergonomics and handling. The fact that our products are extremely practical, easy to disassemble and components are replaceable ensures they are resource-efficient.

Air quality and emissions of harmful substances

Wilkhahn products don't emit any concentrations of gas that are harmful to the environment or health. In the US, Wilkhahn products have GREENGUARD Indoor Air Quality™ certification. GREENGUARD™ is a certification program for products low in emissions.

LEED

Wilkhahn office chairs and table ranges help companies to achieve credit points during LEED certification (U.S. Green Building Council's Leadership in Energy and Environmental Design). The LEED Green Building Rating System is a voluntary standard given to companies that offer a healthy environment, save water and energy and comply with stringent environmental criteria. More LEED information about our products is available on request.

Timetable. Environmental product information.

Wilkhahn



End of the product life cycle.

Product take-back and recycling

Even after the product has reached the end of its life, we still feel responsible and offer our customers extensive take-back and recycling services. We guarantee to take back all products that are no longer in use. Wilkhahn products are dismantled in the factory, all parts are selectively sorted in terms of their inherent materials and then recycled. By labelling the materials, ensuring they're non-toxic and easy to dismantle, we're already making sure today that the components in Wilkhahn products can be incorporated into local material and production cycles and be properly recycled and disposed of. As a result, energy-guzzling (and therefore ecologically unwise transportation) over long distances is avoided.

Disassembly and recycling

All Wilkhahn product components are suitable for non-destructive disassembly. In order to guarantee materials are sorted according to type, all components over 150 g in weight are labeled. No agents to protect materials, or organic halogen compounds are used that prevent recycling at a later date.

Reusable packaging for transport

Customers in over 90 countries choose Wilkhahn office furniture. For years we've only been using as much packaging to transport our products as is required to deliver them in one piece to our customers. Some 60 to 78% of Wilkhahn's cardboard packaging consists of recycled material. And Wilkhahn regularly uses blankets and other returnable packaging.

Timetable. Environmental product information.

Wilkhahn



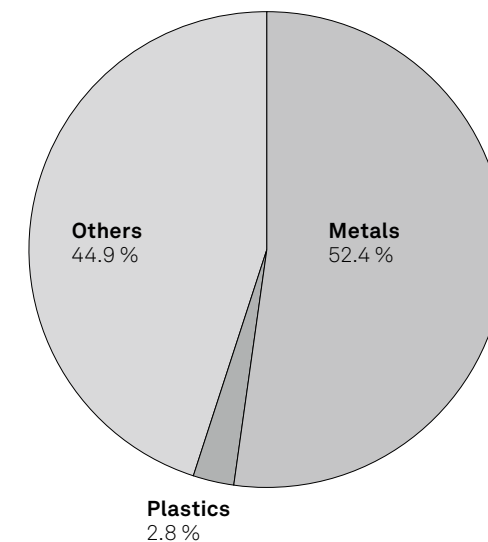
Materials.

Model's material composition Timetable 610/00

| | [kg] | [%] |
|---------------------------------|--------------|--------------|
| Metals | 24.06 | 52.4 |
| Steel | 18.90 | 41.1 |
| Aluminum | 5.16 | 11.2 |
| Zinc | 0.06 | 0.1 |
| Plastics | 1.27 | 2.8 |
| Polypropylene (PP) | 0.00 | 0.0 |
| Polyamide (PA) | 1.15 | 2.5 |
| Polyurethane (PUR/TPU) | 0.10 | 0.2 |
| Others | 20.61 | 44.9 |
| Table top (composite wood, HPL) | 20.55 | 44.6 |
| Total weight | 45.94 | 100.0 |
| Recycling proportion | 19.80 | 43.0 |
| Recycling capability | 45.87 | 99.8 |

Not recyclable: Powder varnish

Materials are subject to stringent checks. As part of an ABC analysis, the materials are checked to ensure they are environmentally friendly and not harmful to health. Prohibited chemicals are not used in the product at all. All feedstock is listed in a register of hazardous substances. This helps to minimize the use or allow the substitution of any potentially harmful materials.



Timetable. Environmental product information.

Wilkhahn



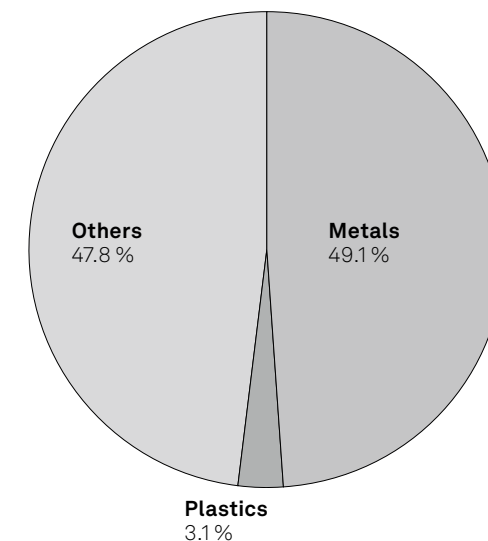
Materials.

Model's material composition Timetable Smart 612/00

| | [kg] | [%] |
|---------------------------------|--------------|--------------|
| Metals | 24.14 | 49.1 |
| Steel | 18.73 | 43.5 |
| Aluminum | 2.41 | 5.6 |
| Zinc | 0.00 | 0.0 |
| Plastics | 1.34 | 3.1 |
| Polypropylene (PP) | 0.00 | 0.0 |
| Polyamide (PA) | 1.28 | 3.0 |
| Polyethylene (PE) | 0.03 | 0.1 |
| Polyurethane (PUR/TPU) | 0.01 | 0.02 |
| Others | 20.56 | 47.8 |
| Table top (composite wood, HPL) | 20.50 | 47.6 |
| Total weight | 43.04 | 100.0 |
| Recycling proportion | 16.80 | 39.0 |
| Recycling capability | 42.90 | 99.7 |

Not recyclable: Powder varnish

Materials are subject to stringent checks. As part of an ABC analysis, the materials are checked to ensure they are environmentally friendly and not harmful to health. Prohibited chemicals are not used in the product at all. All feedstock is listed in a register of hazardous substances. This helps to minimize the use or allow the substitution of any potentially harmful materials.



Wilkhahn and sustainability

Wilkhahn



In over 100 years of its corporate history, Wilkhahn can look back on a sustainability philosophy that has grown over decades. Aspects such as durability, social fairness, environmental responsibility and cultural orientation have been evolving as corporate principles since the 1950s. Wilkhahn today is regarded internationally as a model of excellence, not only on account of its products but also because of its modern corporate philosophy. This is because the company realized early on that sustainable design should embrace environmental aspects, improve social relationships and define the cultural role of a company. This approach to the way we do business creates a bond between us and our customers throughout the world. There is surely no more rewarding task than working together for a successful future that is worth living in.

📄 [Current sustainability report with environmental statement](#)



For further information please contact us!

Wilkhahn



Wilkening + Hahne GmbH+Co.KG
Fritz-Hahne-Str. 8
31848 Bad Münder
Germany
Tel.: +49 5042 999 100
contact@wilkhahn.de
www.wilkhahn.com



Roof of one of the four pavilions,
which were designed by architect
Frei Otto, on the Wilkhahn site.
Photo: Klemens Ortmeier