

Wilkhahn

Rider. 205 range.





Motion Whisperer

Factoring motion into sedentary lifestyles keeps body and mind agile. But that's nothing new because the first people to spend long periods of time sitting were horse riders who stayed fit and healthy in the saddle too. But being out on the trail also means leaving well-trodden paths and broadening horizons.

And this is where the stylish, contemporary design of Sven von Boetticher's Rider comes in. With its sophisticated details, it resembles a saddle, the archetypal dynamic seat. This is what makes the Rider so exceptional in the range of dynamic sitting-standing stools, which Wilkhahn established in the shape of its Stitz for offices three decades ago.

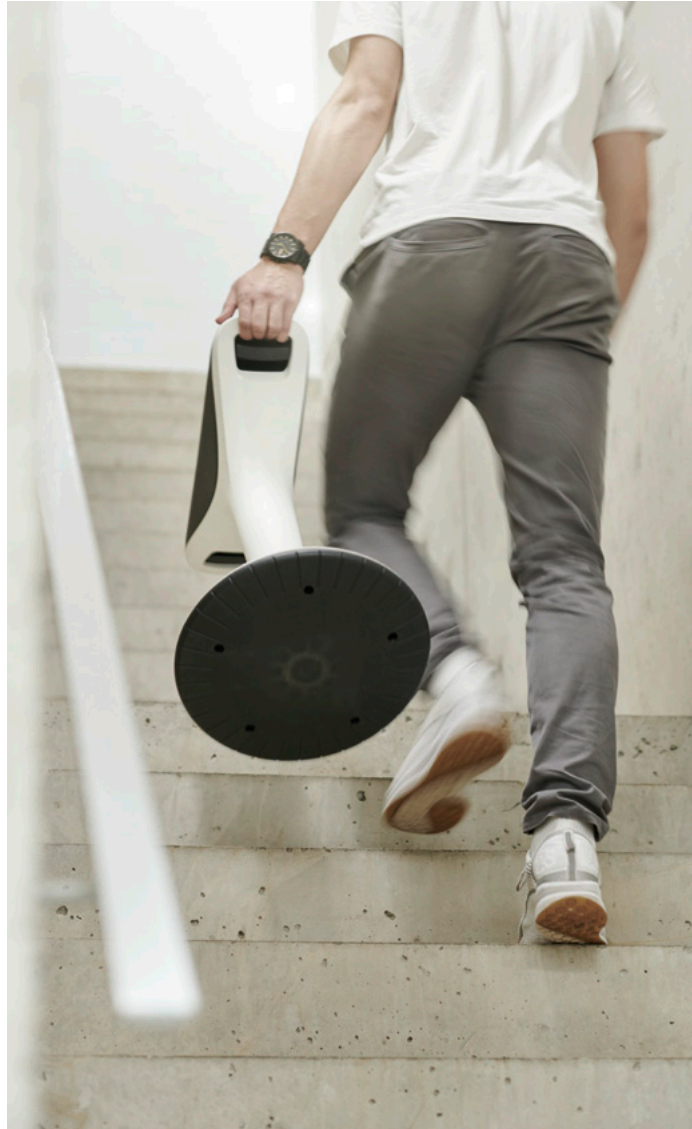
Design: Sven von Boetticher



Rider's ideal whenever energized, inspired and creative approaches are required. It's light and easy to pick up with just one hand and a perfect choice for workshops, a quick chat with co-workers, activity-based breaks, at standing desks in homes, music stands, ironing boards or cooktops.

The "saddle" is surprisingly comfortable and users can sit astride or ride it side saddle. The handles on both sides allow intuitive precision adjustment of its height to match body sizes and the places it's destined for. For instance, perhaps it's to serve as a stool at a table or to perch on at an easel.

In other words, thanks to its self-explanatory, distinctive shape, Rider's an appealing, easy-going companion to keep body and mind switched on. Whether in a plain black or bold black and white mix, its owners will be riding high.







Rider. 205 range. Product types.

Wilkhahn



205/1 Rider, black

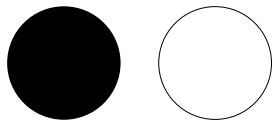


205/2 Rider, white

Rider. 205 range. Product types.

Wilkhahn

Frame surfaces

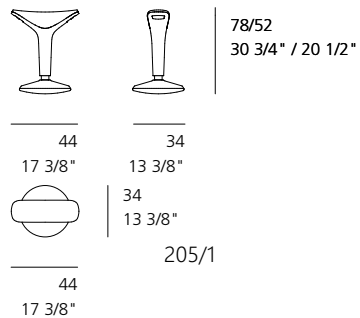


Black, white

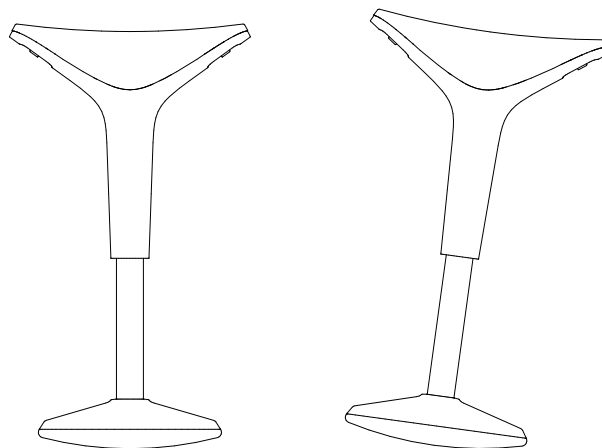
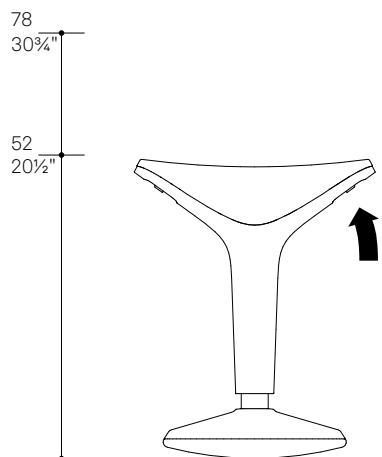
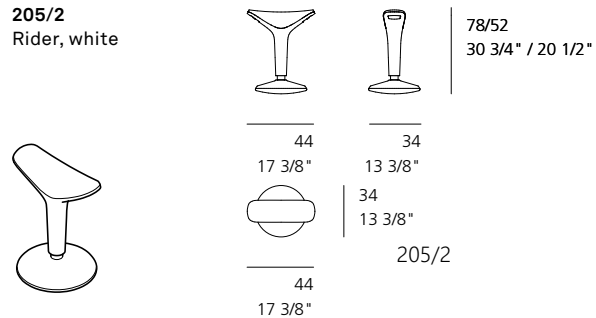
Rider. 205 range. Models and dimensions.

Wilkhahn

205/1
Rider, black



205/2
Rider, white

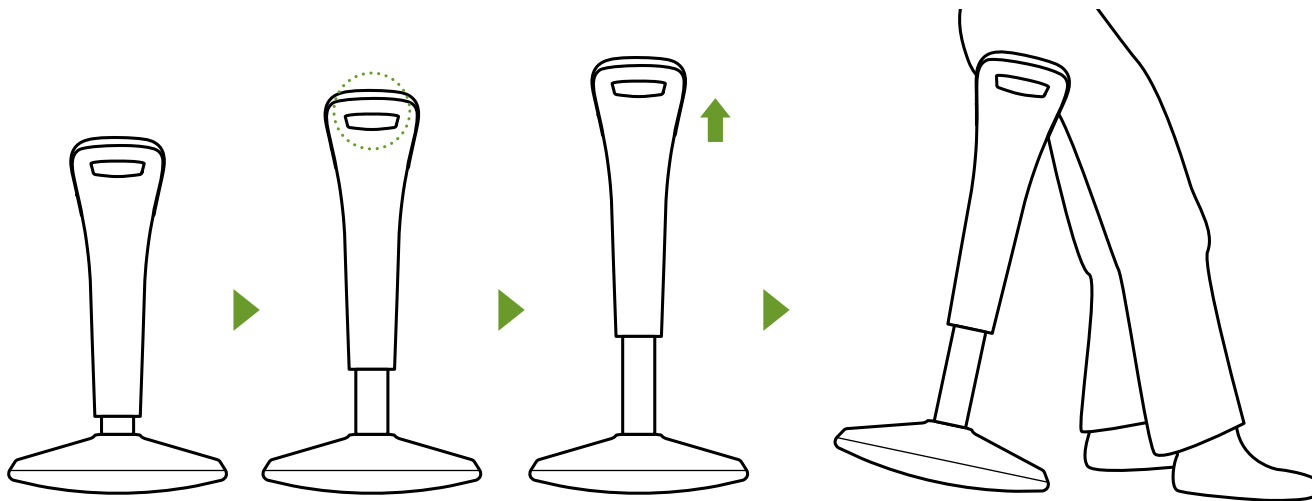


Rider. 205 range. Models and dimensions.

Wilkhahn

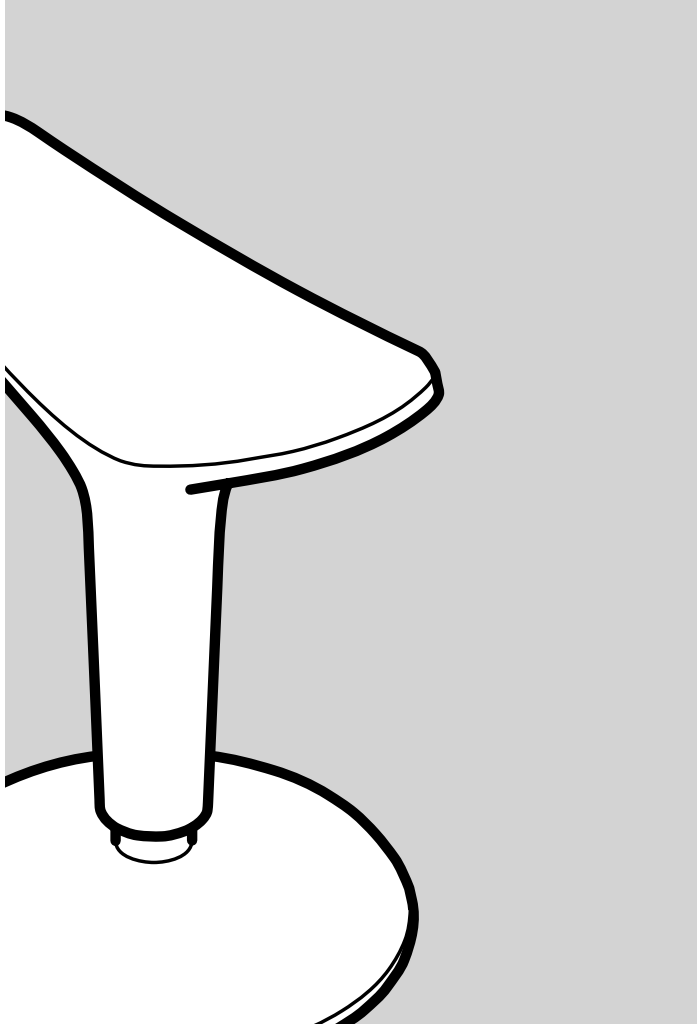
Please note

Rider has one leg but turns into a dynamic, but still safe three-leg version when users sit on it. People can perch on Rider or sit on it like a stool, but need to use their own legs to maintain the body's equilibrium. Anyone moving sideways and backward over their body's center of gravity can topple over, which is why this should be avoided at all costs.



Rider. 205 range. Technical details.

Wilkhahn



Function

The one-leg Rider stool turns into a stable three-leg version when someone sits on it. Thanks to its height, which can be precision-adjusted from 52 to 78 cm (20½" to 30¾"), it's ideal as a dynamic stool and sit-stand option. Its swivel capability and curved disc base encourage a range of different movements to keep body and mind agile. With recessed grips at the side underneath the saddle, it's easy to grab hold of and carry to wherever it's required.

Dimensions and weight

Saddle 44 cm (17¾") wide and 14 cm (5½") deep, disc base diameter 34 cm (13¾"), weight 5 kg (11 lb)

Frame

The disc base is made of black or white, through-dyed ABS with a black, non-slip elastomer bottom. The gas lift, encapsulated in tubular steel, is coated black and covered by the seat bearer in the area where the lifting motion occurs.

Seat

The Y-shaped seat bearer is made of black or white through-dyed polyamide with recessed grips at the sides and buttons to activate height adjustment. The seat cushioning fitted to the seat bearer is made of black polyurethane.

Information

Please note: Wet or dirty conditions can alter the disc base's grip on the floor. It can cause scuff marks on light-colored flooring.

Rider. 205 range. Awards / standards / certificates.

Wilkhahn

Product certificates / product standards



Company's certificates, memberships



Mitglied der
DGNB
Deutsche Gesellschaft für Nachhaltiges Bauen
German Sustainable Building Council



For further information please contact us!

Wilkhahn



Wilkening + Hahne GmbH+Co.KG
Fritz-Hahne-Str. 8
31848 Bad Münder
Germany
Tel.: +49 5042 999 0
contact@wilkhahn.de
www.wilkhahn.com



Roof of one of the four pavilions,
which were designed by architect
Frei Otto, on the Wilkhahn site.
Photo: Klemens Ortmeier