

Wilkhahn

Fold-up Workspace. 420 range.



Fold-up Workspace. 420 range.

Wilkhahn



An Office in a Bag.

Just like their office counterparts, digital nomads or home workers need clever, professional solutions to stay fit and healthy. Space is often lacking for people to have their own desk or a room to work on their laptops at home or when out and about. Which is why tables in dining rooms, kitchens or on balconies have to be repurposed. And this is where our Fold-up Workspace is both a practical and efficient solution. It's easy to take anywhere, place on a table and set up in seconds. Once the day's done, it collapses flat and is space-saving to stow in a closet or hang up on a coat rack.



The Fold-up Workspace, design: Wilkhahn, turns any table into a place to work in an instant. Here it's on an Occo table with Occo chairs and Occo bar stools (in the background), design: jehs+laub

Wilkhahn



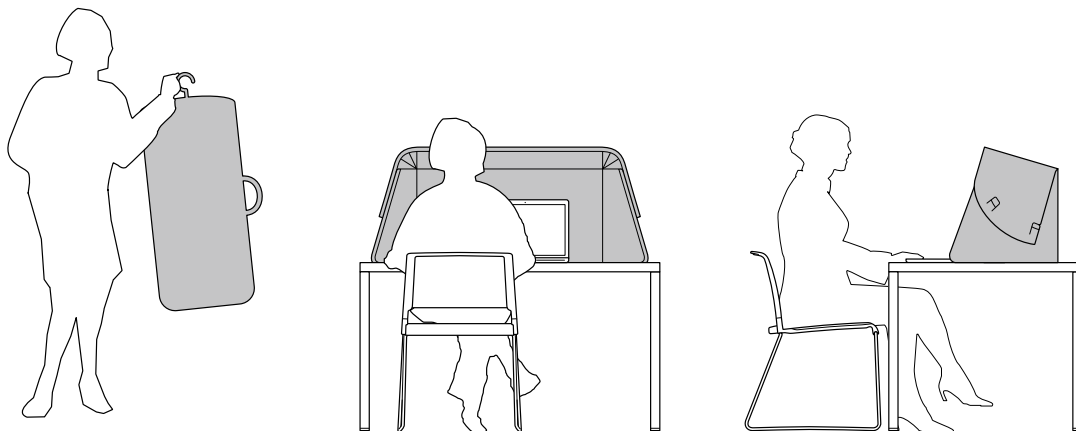
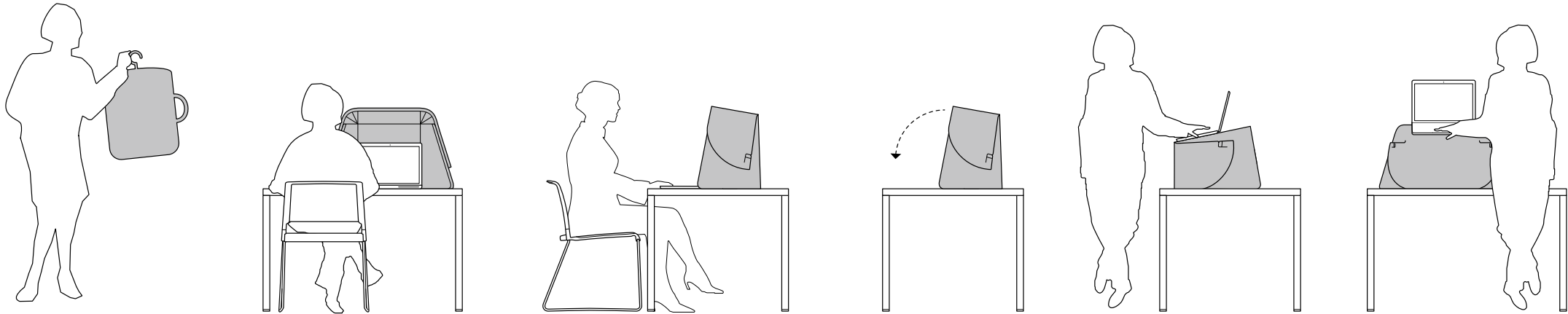
Once the Fold-up Workspace is set up, users and onlookers realize that the table's now become a place where someone needs to work. It provides privacy to allow people to focus on their jobs and also makes it harder for others to see confidential information on the screen from the side. The panel at the top also stops glare on the monitor so that people can even work on their patios or in their gardens. The self-supporting acoustic fleece cuts down on noise from phone calls and video conferences. The material is pinnable to allow notes or favorite photos to be attached.

An adaptor can even be connected via the cable outlets in the rear panel at any time. Regular clip-on lights and laptop holders can also be fitted to make sure that the light and camera height are correct during video conferences.

And what's more, for those who like to stand up while working now and then, the Smart model can be tilted forward by 90° and used as a desktop that can take loads of up to 3 kg. On the other hand, the Comfort model offers lots of space for documents next to the display. The Fold-up Workspace is easy to transport in its own bag and can be hung up with a hanger (not included). As a result, this lightweight item can be stowed in closets or hung up on coat racks. It's also convenient for people to take with them during business trips or to provide some privacy in co-working spaces.

The Fold-up Workspace, design: Wilkhahn, can be fitted with regular accessories for video conferences.

Wilkhahn



- Easily portable and space-saving to stow away
- Facilitates the switch from work to play
- Improves privacy in temporary, mobile workspaces
- Helps concentration
- Cuts down on noise
- Stops glare so enables working outdoors
- Can be personalized with notes and photos
- As a desktop, it's also ideal for people to use while standing (only the Smart model)

Fold-up Workspace. 420 range. Product types.

Wilkhahn



420/00 Fold-up Workspace Smart



420/00 Fold-up Workspace Comfort

Fold-up Workspace. 420 range. Product types.

Wilkhahn

Material surface

Anthracite

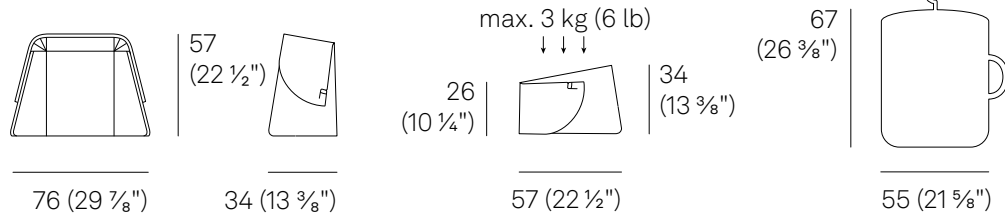
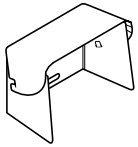


The digital sample colors differ from the originals.
You can find our current fabric collection in our media center.

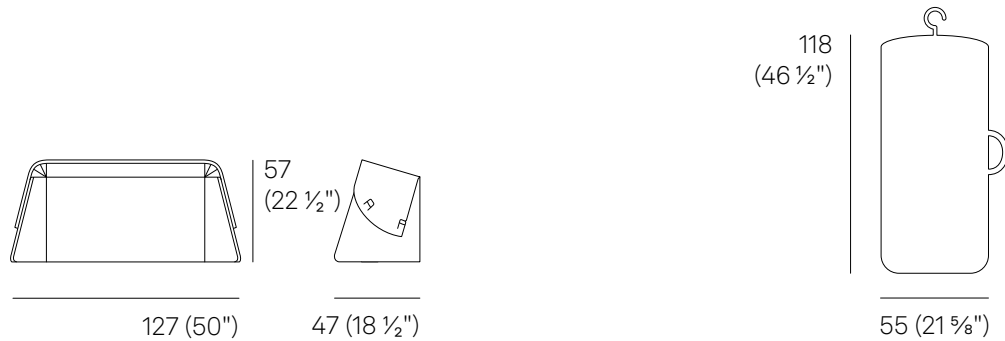
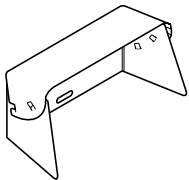
Fold-up Workspace. 420 range. Models and dimensions.

Wilkhahn

420/00
Fold-up Workspace Smart

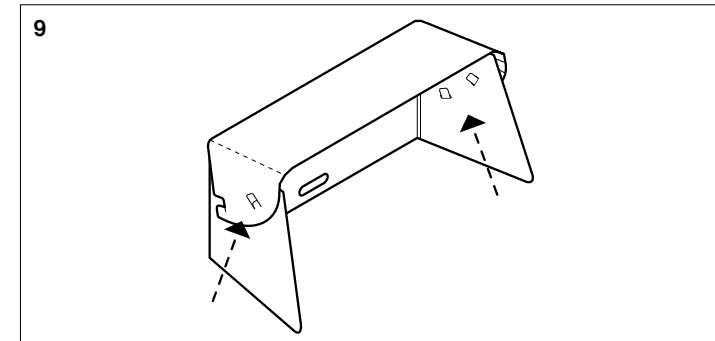
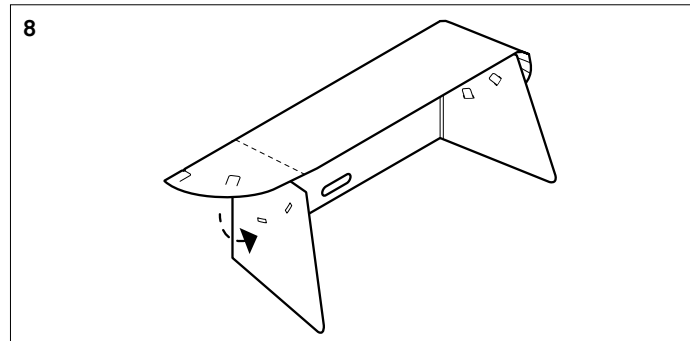
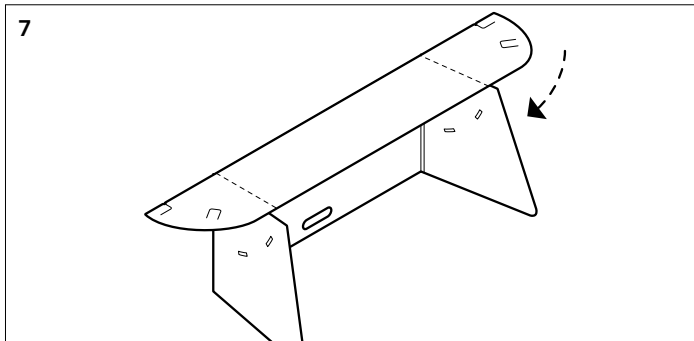
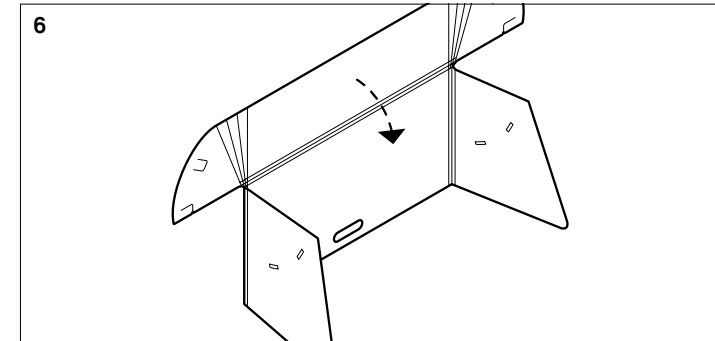
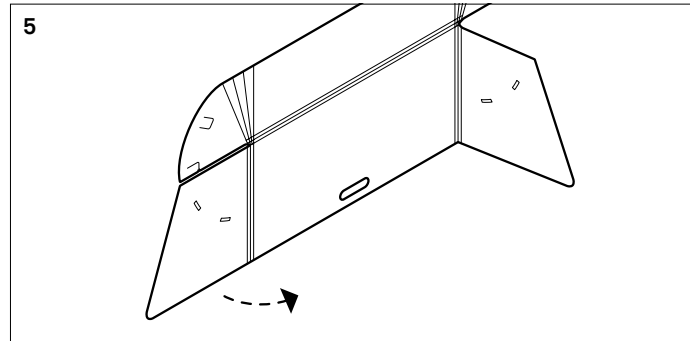
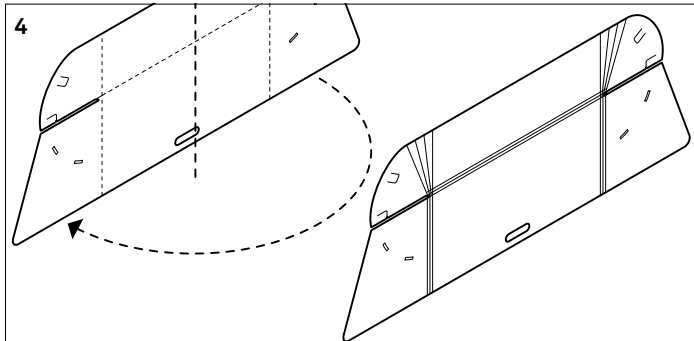
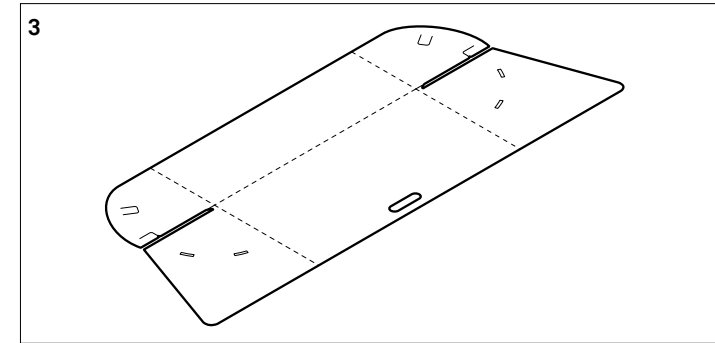
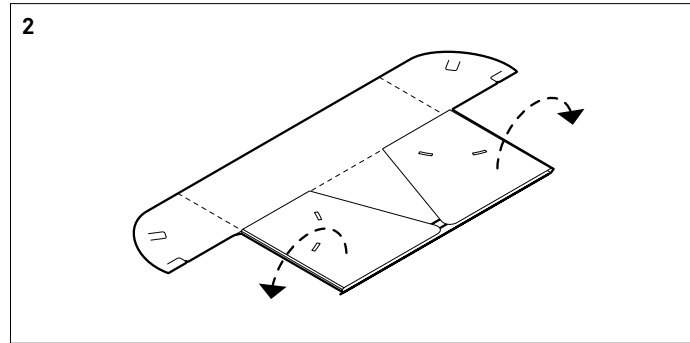
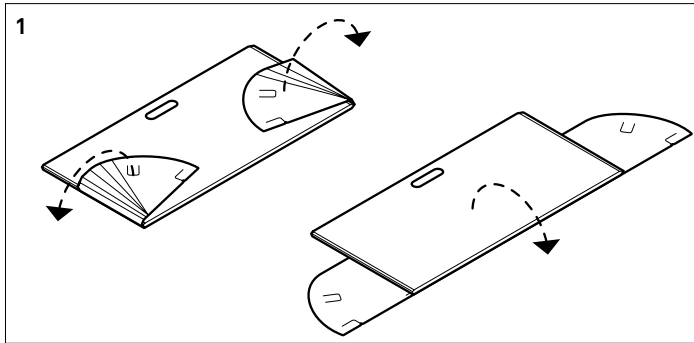


420/00
Fold-up Workspace Comfort



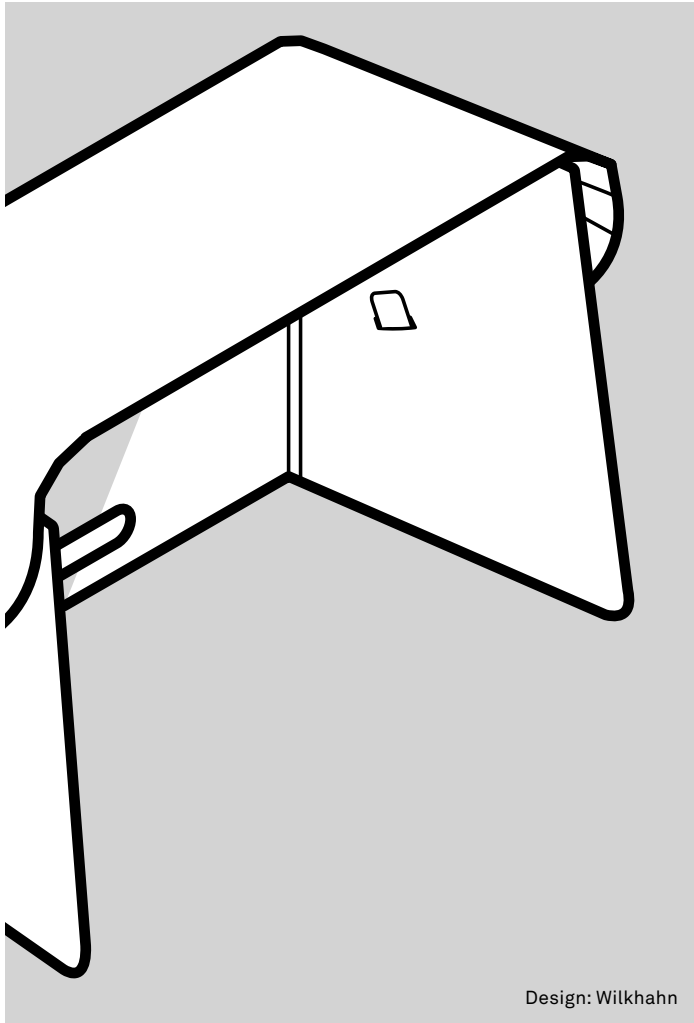
Fold-up Workspace. 420 range. Models and dimensions.

Wilkhahn



Fold-up Workspace. 420 range. Technical details.

Wilkhahn



Design: Wilkhahn

Function

The Fold-up Workspace is a one-piece, foldable, on-table panel for anyone working remotely. It offers people privacy, protection from glare and the chance to focus on the task at hand. The small Smart model can also be used as a desktop if people want to stand while working.

If required, a cable outlet means that power and LAN cables can be added. The sound-damping material, which is pinnable on both sides, allows any notes and documents attached to stay in place when the Fold-up Workspace is packed away. Its small size and low weight make sure it's compact to stash away in its bag, which can be hung up with a hanger (not included) on coat racks and simply picked up.

Regular clip-on lights and laptop holders for video conferences can be fitted to the Fold-up Workspace when it's set up.

Information

To pin documents etc onto it, please use flat-headed pins, such as drawing pins. The Smart model as a desktop can withstand loads of 3 kg max.

Material

Self-supporting PET acoustic fleece with grooves on the inside to fold it up and out, in anthracite, 50% recycled material, 9 mm thick.

Weights:

Fold-up Workspace Smart, including bag to transport it in 1.7 kg

Fold-up Workspace Comfort, including bag to transport it in 2.8 kg

The bags' fleece fabric is made of polypropylene and polyester, in black, with OEKO-TEX® standard 100, ISO 9001 and ISO 14001 certification. Handle made of 100% polypropylene in black.

Cleaning

Remove notes and documents attached. Open the top cover and side walls flat on an even surface and vacuum carefully, then, if necessary, wipe with pH-neutral soapy water (using a lint-free cloth), wipe off any remaining soap with water and then dry with an absorbent, lint-free cloth.

Disinfecting contact surfaces

Spray lightly with disinfectant based on ethanol (alcohol) and then wipe with an absorbent cloth.

Please note:

Don't use any cleaning agents and disinfectants that contain halogenated solvents.

Wilkhahn and sustainability

Wilkhahn



In over 100 years of its corporate history, Wilkhahn can look back on a sustainability philosophy that has grown over decades. Aspects such as durability, social fairness, environmental responsibility and cultural orientation have been evolving as corporate principles since the 1950s. Wilkhahn today is regarded internationally as a model of excellence, not only on account of its products but also because of its modern corporate philosophy. This is because the company realized early on that sustainable design should embrace environmental aspects, improve social relationships and define the cultural role of a company. This approach to the way we do business creates a bond between us and our customers throughout the world. There is surely no more rewarding task than working together for a successful future that is worth living in.

📄 [Current sustainability report with environmental statement](#)



For further information please contact us!

Wilkhahn



Wilkening + Hahne GmbH+Co.KG
Fritz-Hahne-Str. 8
31848 Bad Münder
Germany
Tel.: +49 5042 999 100
contact@wilkhahn.de
www.wilkhahn.com



Roof of one of the four pavilions,
which were designed by architect
Frei Otto, on the Wilkhahn site.
Photo: Klemens Ortmeier