

# Sola

## Stackable bar stool with sled base

Design — Antti Kotilainen



---

The stackable Sola bar stool is available in two different seat and backrest heights. The high bar stool goes well with standing height tables and is available unupholstered and with several upholstery and material options.



---

**MATERIAL DESCRIPTION:**

**Seat material:** oak, ash or stained ash

**Upholstery alternatives:** without upholstery, seat upholstered, seat and backrest upholstered, fully upholstered

**Base:** white, black, chrome or Inspiring Colours  
Felt glides

---

**PRODUCT CODE NUMBER:**

**377DEM (DEMC/DEMBC/DEMD)** = medium high sled base, without upholstery, stackable, standard backrest

**377DEMM (DEMMC/DEMMD)** = medium high sled base, without upholstery, stackable, low backrest

**377DEK (DEKC/DEKBC/DEKD)** = high sled base, without upholstery, stackable, standard backrest

**377DEKM (DEKMC/DEKMD)** = high sled base, without upholstery, stackable, low backrest

**BC** = upholstered seat and backrest

**C** = upholstered seat

**D** = fully upholstered

---

**FABRIC CONSUMPTION:**

**Seat:** 0.5 m / 2 pcs

**Seat and backrest:** 0.85 m / 2 pcs

**Fully upholstered:** 0.9 m

---

**STACKABILITY:**

Stackability max 6 pcs

---

**CARBON FOOTPRINT:**

**Sola 377DEK:** 8.1 kg CO<sub>2</sub>e

**Sola 377DEKBC:** 9.3 kg CO<sub>2</sub>e

**Sola 377DEKC:** 9.0 kg CO<sub>2</sub>e

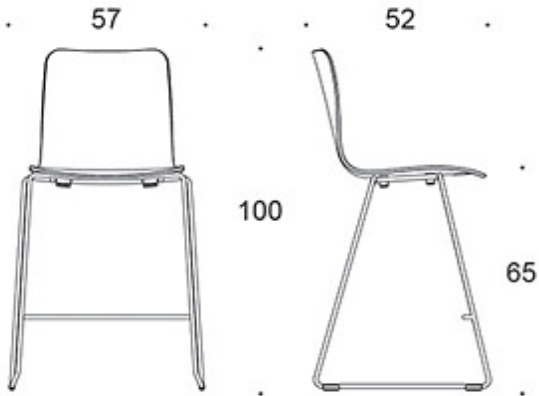
**Sola 377DEKD:** 11.4 kg CO<sub>2</sub>e

**Sola 377DEKM:** 8.0 kg CO<sub>2</sub>e

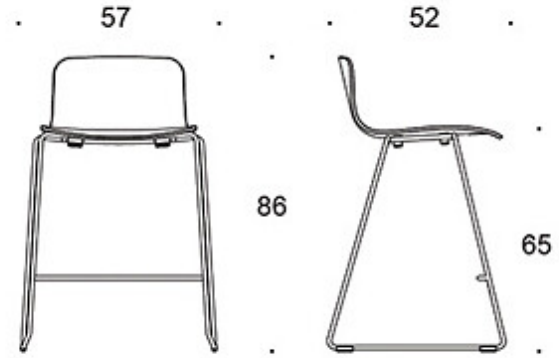
**Sola 377DEKMC:** 8.5 kg CO<sub>2</sub>e

**Sola 377DEKMD:** 11.0 kg CO<sub>2</sub>e

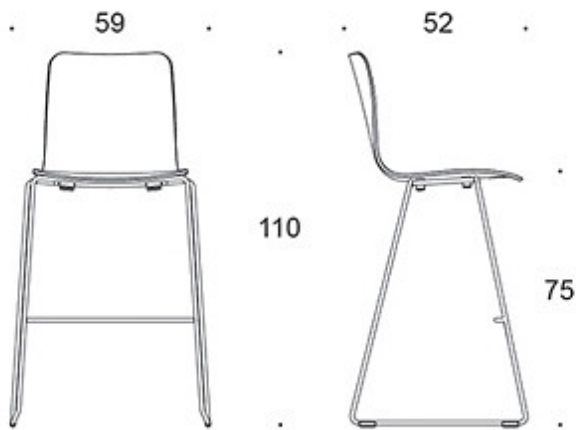
Dimensional drawing:



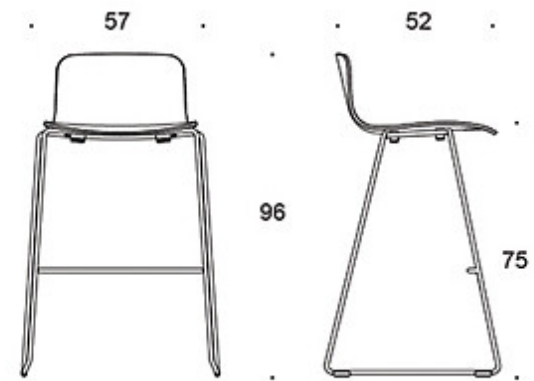
377DEM (DEMC/DEMBC/DEMD)



377DEMM (DEMMC/DEMMD)



377DEK (DEKC/DEKBC/DEKD)



377DEKM (DEKMC/DEKMD)