



---

## **BuzziSol 220-240V** **Product Specification Sheet**

---

This document contains technical information about the BuzziSol

---



[www.buzzi.space](http://www.buzzi.space)







## Shine bright

BuzziSol is a versatile and straightforward pendant light fixture that can be fitted with either a frosted glass globe for ambient setting or with a reflective spot for direct lighting. Stick to BuzziSol Solo for smaller settings or add a BuzziSol Trio or BuzziSol Quintet variation for larger gathering spots and collaboration areas. Because of BuzziSol's demure design language, it can work on its own to create modern and minimalist spaces. Or pair it with some of our acoustic lighting solutions such as BuzziPleat, BuzziShade, BuzziProp Small, BuzziProp Beam, and BuzziZepp.

Design by BuzziSpace Studio

---

## General

-  Solo | Trio | Quintet  
Ceiling Suspended
-  LED light source
-  Powder coated metal heat sink  
Powder coated metal ceiling canopy in black (RAL 9005)  
Black fabric power cable
-  IP20 Dry Usage
-  Diffusor: frosted glass globe or 38° reflector spot
-  If installing on suspended ceiling, verify load capacity prior to installation

---

## Certifications

CE/CB

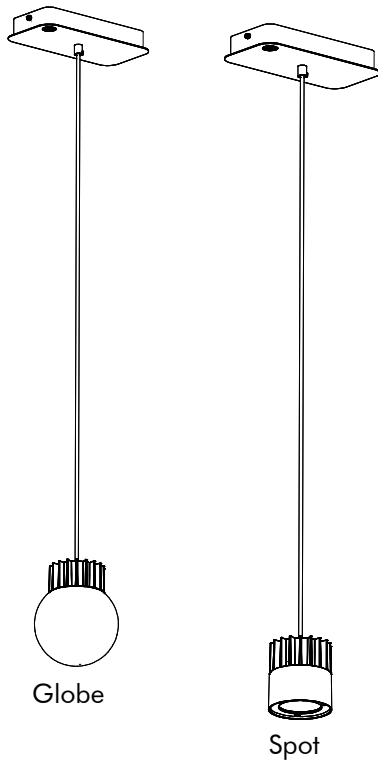
---

## Content

Configurations	3
Technical Components	4
Photometric Data	5
Dimensions	7

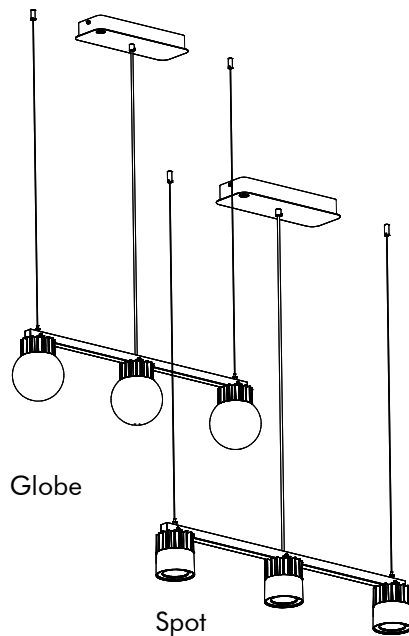
# Configurations

## BuzziSol Solo



- 🌲 Powder coated metal heat sink
- 🌲 Powder coated metal ceiling canopy in black (RAL 9005)
- 🖨 Black fabric power cable
  
- 💡 Wattage: 32 W
- 💡 Input Voltage: 220 - 240V
- 💡 Input Frequency: 50/60Hz
- 💡 Lumen Output: 1500 lumen (LED light source)
- 💡 Color Temperature: 3000K
- 💡 Color Rendering Index: >90
- 💡 Dimmable: 1-10V Protocol (Dali on request)
  
- ⊠ Globe Light element: H 20 cm Ø 15 cm
- ⊠ Spot Light element: H 11 cm Ø 10 cm
- 📏 Fabric power cord: L 500 cm
  
- ⚖ 1,9 kg
  
- ⋯ Diffusor: frosted glass globe or 38° reflector spot
  
- ⚠ If installing on suspended ceiling, verify load capacity prior to installation

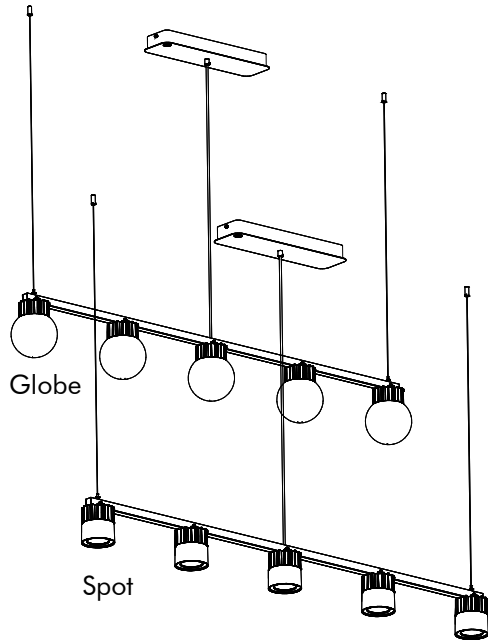
## BuzziSol Trio



- 🌲 Powder coated metal heat sink
- 🌲 Powder coated metal ceiling canopy in black (RAL 9005)
- 🖨 Black fabric power cable
  
- 💡 Wattage: 60 W
- 💡 Input Voltage: 220 - 240V
- 💡 Input Frequency: 50/60Hz
- 💡 Lumen Output: 3 x 1500 lumen (LED light source)
- 💡 Color Temperature: 3000K
- 💡 Color Rendering Index: >90
- 💡 Dimmable: 1-10V Protocol
  
- ⊠ Globe Light element: H 20 cm Ø 15 cm
- ⊠ Spot Light element: H 11 cm Ø 10 cm
- 📏 Fabric power cord: L 500 cm
  
- ⚖ 4,9 kg
  
- ⋯ Diffusor: 3 x frosted glass globe or 3 x 38° reflector spot
  
- ⚠ If installing on suspended ceiling, verify load capacity prior to installation

---

## BuzziSol Quintet Globe



- 🌳 Powder coated metal heat sink
- 🌳 Powder coated metal ceiling canopy in black (RAL 9005)
- 🌳 Black fabric power cable
  
- Wattage: 90 W
- Input Voltage: 220 - 240V
- Input Frequency: 50/60Hz
- 💡 Lumen Output: 5 x 1500 lumen (LED light source)
- Color Temperature: 3000K
- Color Rendering Index: >90
- Dimmable: 1-10V Protocol
  
- 🔍 Globe Light element: H 20 cm Ø 15 cm
- 🔍 Spot Light element: H 11 cm Ø 10 cm
- Fabric power cord: L 500 cm
  
- ⚖️ 7,4 kg
  
- ⋯ Diffusor: 5 x frosted glass globe or 5 x 38° reflector spot
  
- ⚠️ If installing on suspended ceiling, verify load capacity prior to installation

# Technical components

## Ceiling Canopy Solo



Black metal ceiling canopy and black fabric power cable incl. Fixing System Screw with 1 alu or black cable of 2 m or 5 m

Width: 14 cm  
Length: 28 cm  
Height: 4 cm

## Ceiling Canopy Trio | Quintet



Black metal ceiling canopy and black fabric power cable incl. Fixing System Screw with 1 alu or black cable of 2 m or 5 m

### **Trio**

Width: 12,5 cm  
Length: 35 cm  
Height: 4,5 cm

### **Quintet**

Width: 12,5 cm  
Length: 45 cm  
Height: 4,5 cm

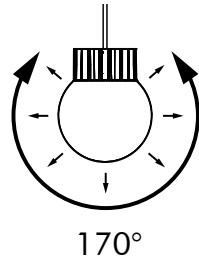
## Heat Sink



The light element consists out of a black powder coated metal heat sink fitted with a C.O.B. LED source.

BuzziSol Solo: 1 x heat sink  
BuzziSol Trio: 3 x heat sink  
BuzziSol Quintet: 5 x heat sink

## Globe



The BuzziSol Globe is finished with a frosted glass globe, to create a decorative light effect 170° around enlightening the beautifully crafted upholstery.

### Specification overview

Standard: 3000K | 1-10V DIM

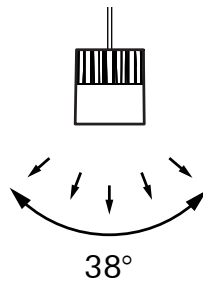
On request (only for BuzziSol Solo): 3000K | DALI DIM

BuzziSol Solo: 1 x frosted glass globe

BuzziSol Trio: 3 x frosted glass globe

BuzziSol Quintet: 3 x frosted glass globe

## Spot



The BuzziSol Spot is finished with a 38° reflector to direct the light towards the surface.

### Specification overview

Standard: 3000K | 1-10V DIM

On request (only for BuzziSol Solo): 3000K | DALI DIM

BuzziSol Solo: 1 x 38° reflector

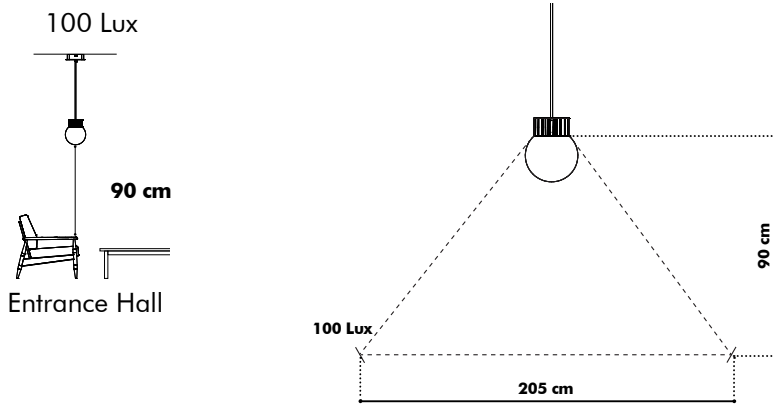
BuzziSol Trio: 3 x 38° reflector

BuzziSol Quintet: 5 x 38° reflector

# Photometric Data

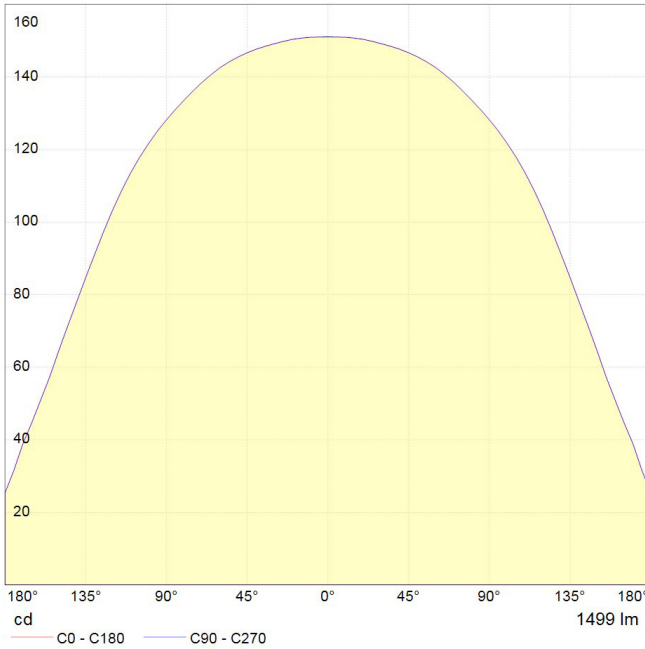
## BuzziSol Solo Globe

To enlight your room with a lux level of 100 lux take following measures into account.

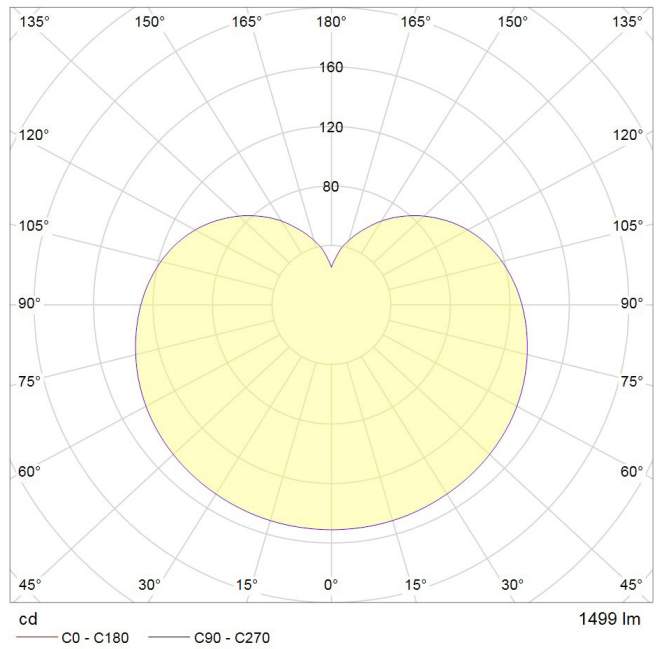


\* According to EN12464

### Globe Cartesian diagram

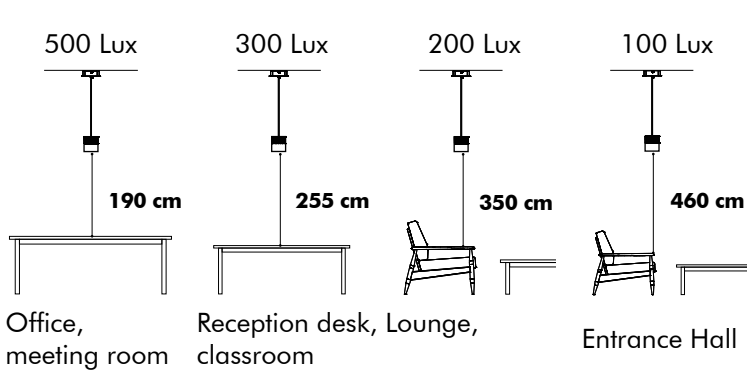


### Globe Polar curve

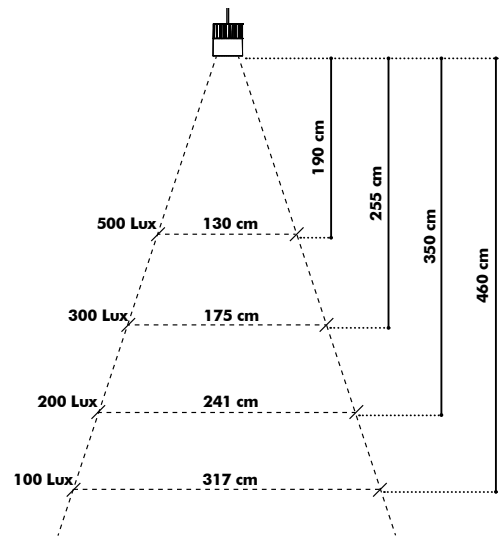


# BuzziSol Solo Spot

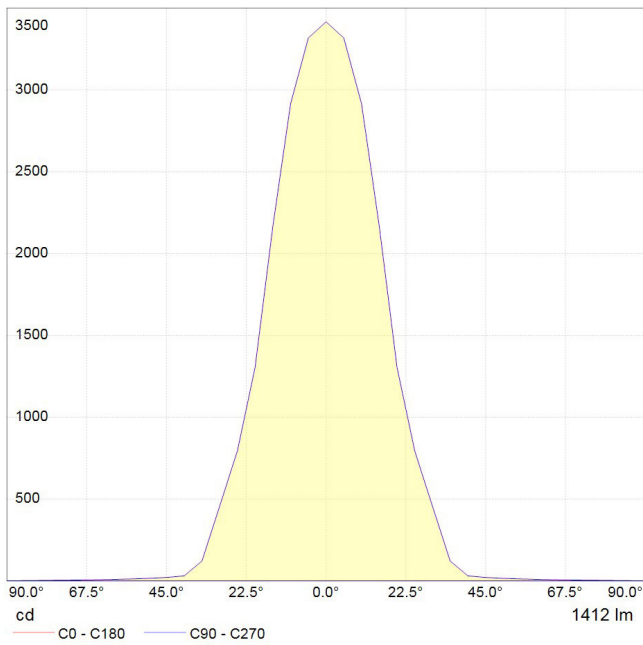
To enlight your workplace or room with optimal lux levels take following measures into account.



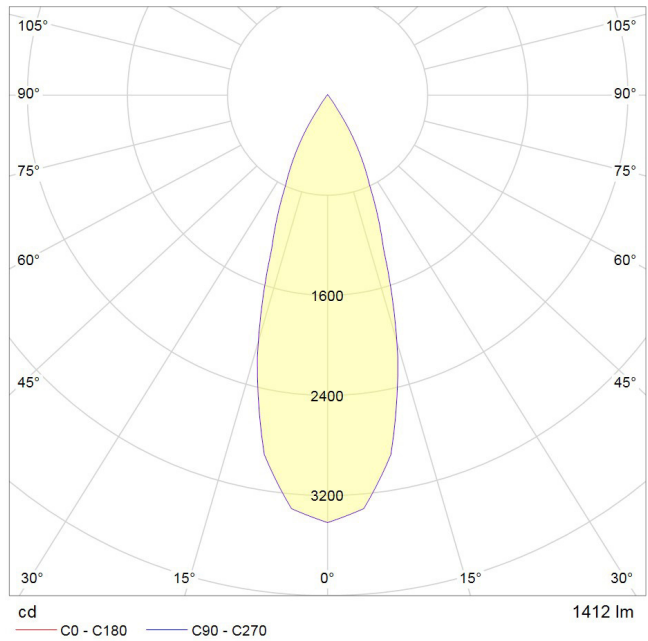
\* According to EN12464



## Globe Cartesian diagram



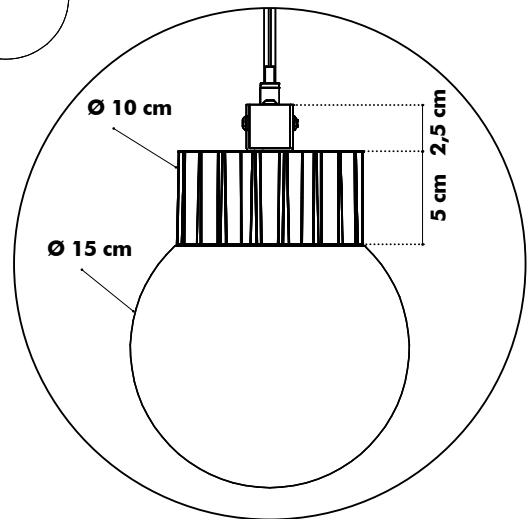
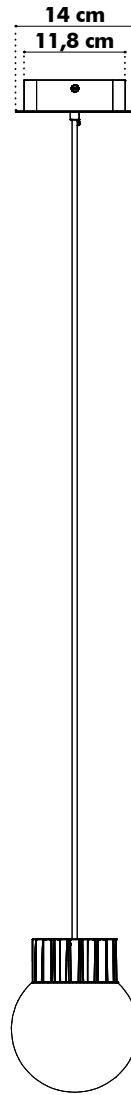
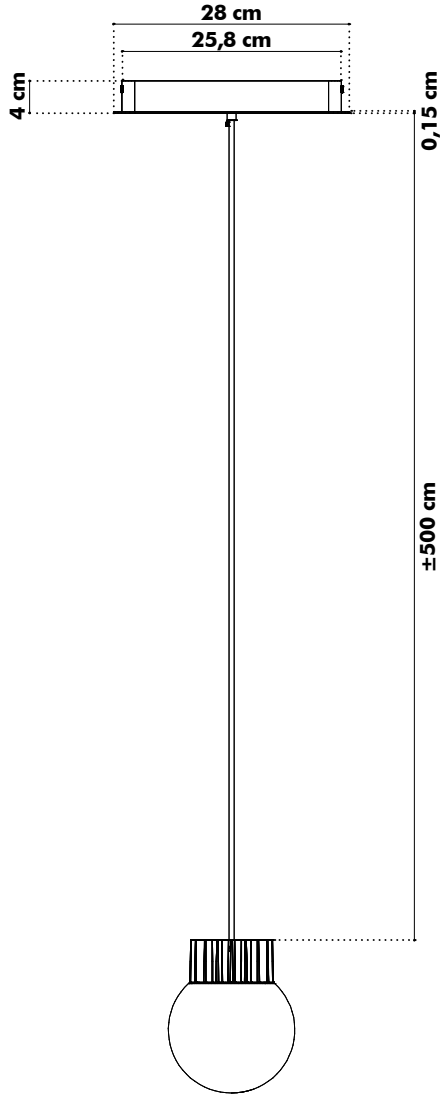
## Globe Polar curve



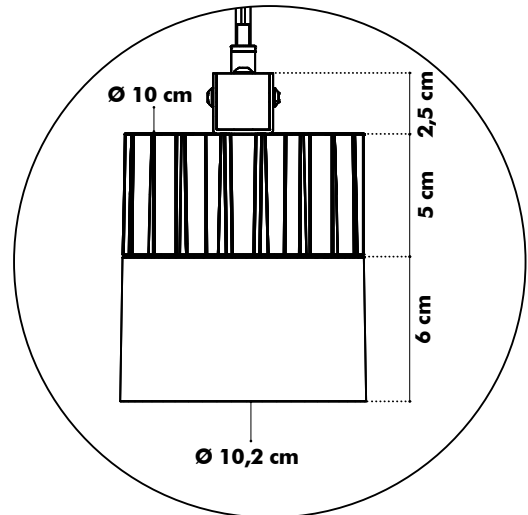
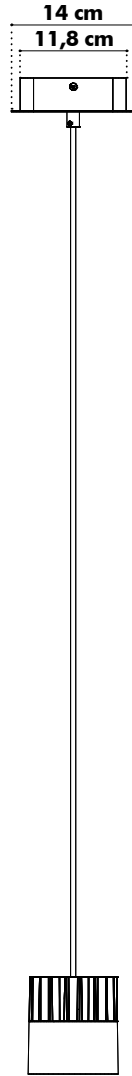
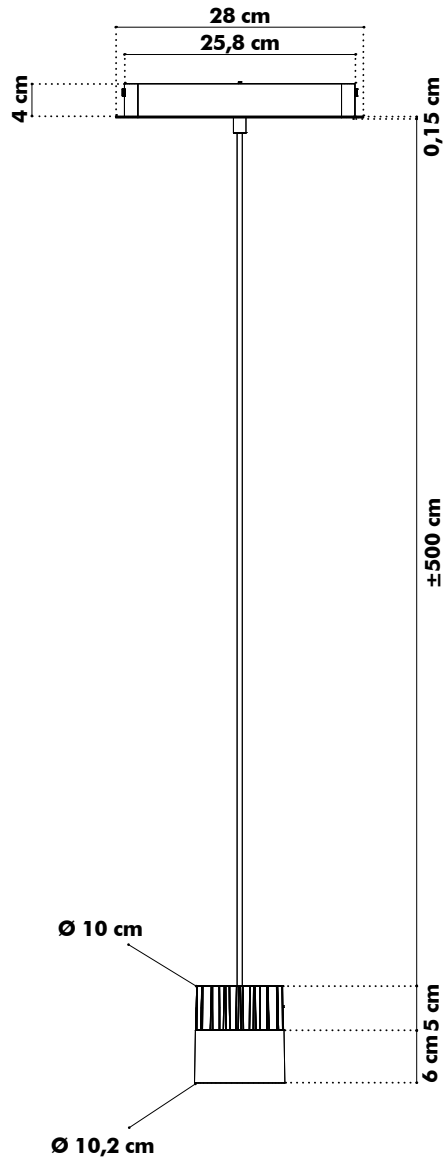


# Dimensions

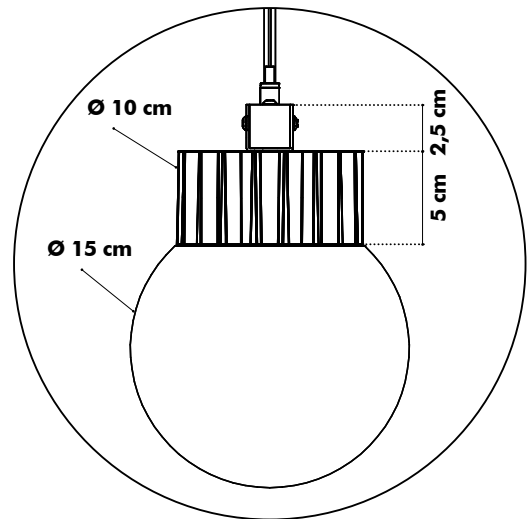
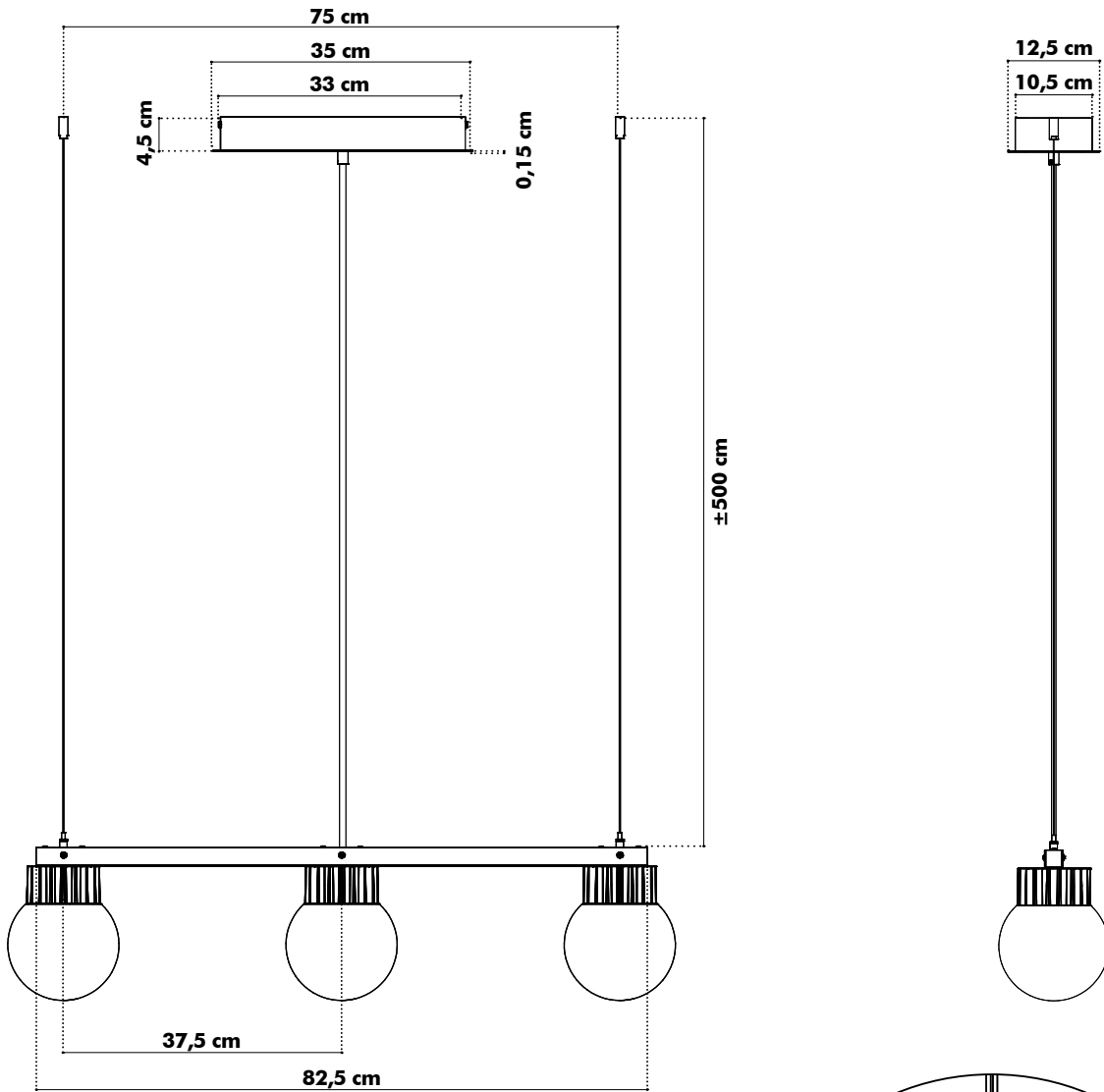
## BuzziSol Solo Globe



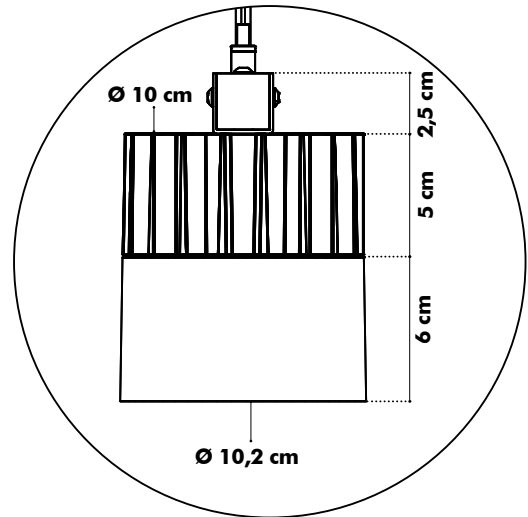
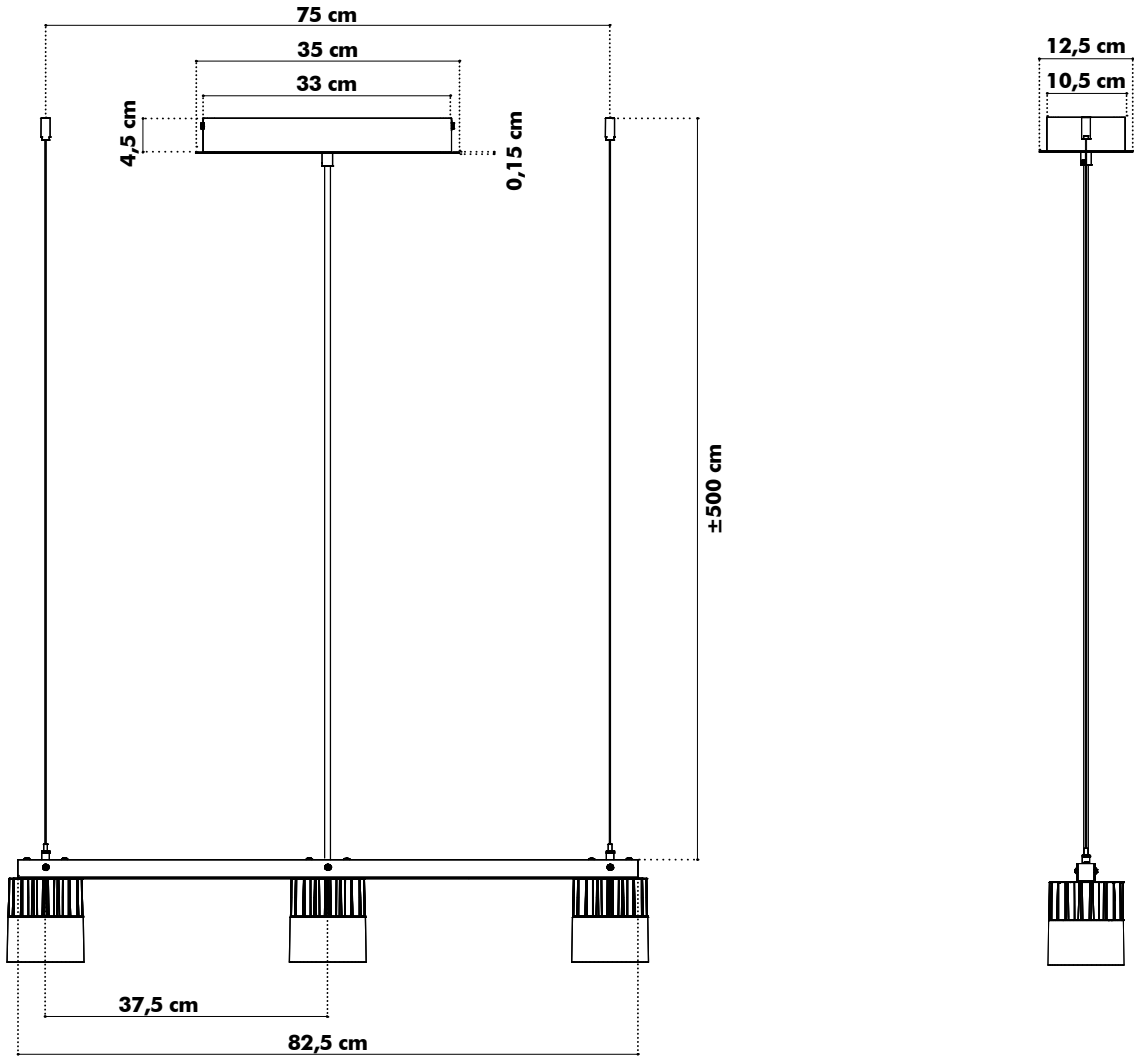
# BuzziSol Solo Spot



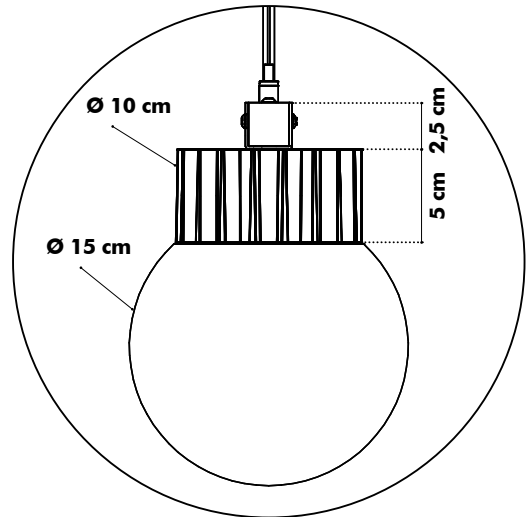
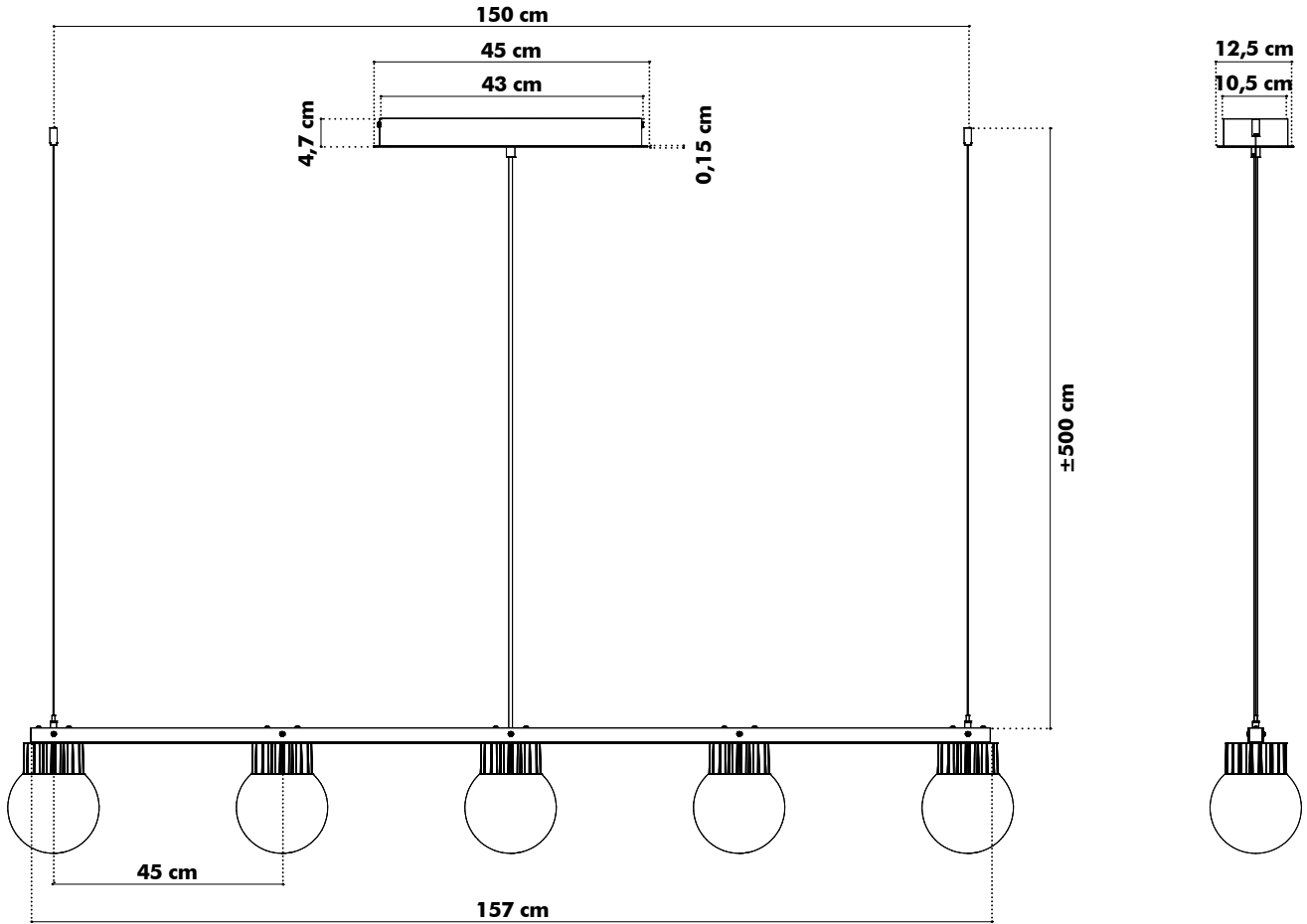
# BuzziSol Trio Globe



# BuzziSol Trio Spot



# BuzziSol Quintet Globe



# BuzziSol Quintet Spot

