



BuzziZepp Light 230V / 220-240V
Product Specification Sheet

This document contains technical information about the BuzziZepp Light

**·BUZZI
SPACE**






www.buzzi.space

An island of light

BuzziZepp Light doubles as a sound-absorbing panel and can be paired with either our LED line and both Globe or Spot iterations of BuzziSol Trio and BuzziSol Quintet (the latter for BuzziZepp M only), thus ensuring your space has minimal echo and adequate lighting. Discover the different lighting additions to perfect your atmosphere. Opt for the dimmable LED line for more functional settings and to brighten up workstations. For a more decorative feel, BuzziSol Trio and BuzziSol Quintet Globe will create a more relaxed aura, while BuzziSol Trio and BuzziSol Quintet Spot provide direct light on a surface, which makes it perfect to hang above a large meeting or collaboration table. On top of that, BuzziZepp can be outfitted in various fabric and color combinations, making it a breeze to combine it with other furnishings in your existing space.

Design by Alain Gilles and BuzziSpace Studio

General

-  Ceiling suspended
Small | Medium
-  Upholstered acoustic panel
-  IP20 Dry usage
-  Flat packed
-  The product must be suspended on a solid structure or ceiling, taking into account the weight of the product and the local regulation.

Certifications



Acoustics



Content

Configurations	3	Fabrics	6
Composition	4	Dimensions	9
Mounting	5	Acoustics	11

Configurations

BuzziZepp Light Small

- 🌲 Core: Poplar multiplex
Filling: acoustic foam
Cover: upholstered in fabric
- ✂️ Acoustic Panel:
Length 200 cm Width 117 cm Height 10 cm

Led Line: Length 113 cm
BuzziSol Trio Spot | Globe: Length 82,5 cm
BuzziSol Quintet Spot | Globe: Length 157 cm

- ⚖️ Acoustic panel: 21,5 kg
LED line: 2 kg
BuzziSol Trio Spot | Globe: 4,9 kg
BuzziSol Quintet Spot | Globe: 7,4 kg

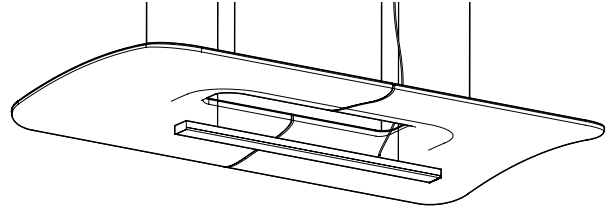
- 💡 LED Line:
Voltage: 230V 50/60 Hz
Wattage: 33W
Lumen Output: 2300 Lm

BuzziSol Trio:
Voltage: 220V - 240V 50/60Hz
Wattage: 60W
Lumen Output: 3 x 1500 Lm

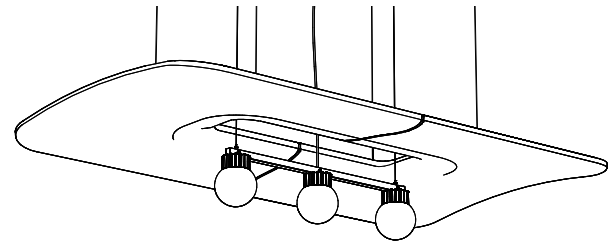
BuzziSol Quintet:
Voltage: 220V - 240V 50/60Hz
Wattage: 90W
Lumen Output: 5 x 1500 Lm

- ⋯ Black or alu cables 2 - 5 m
Light Source: LED Line Small, BuzziSol Trio or
BuzziSol Quintet
Diffusor for BuzziSol: frosted glass globes or 38°
reflector spots

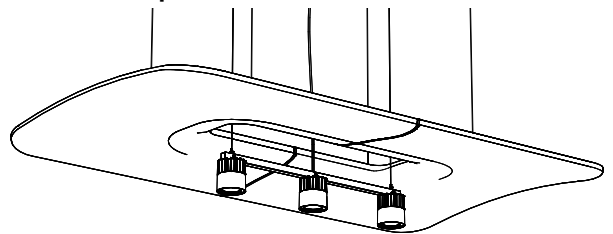
LED Line



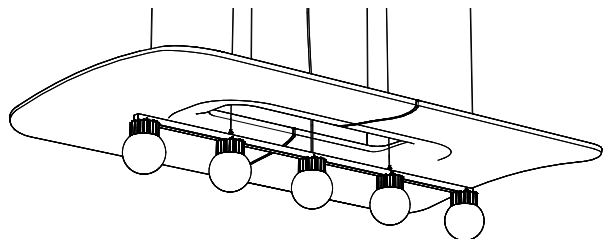
BuzziSol Trio Globe



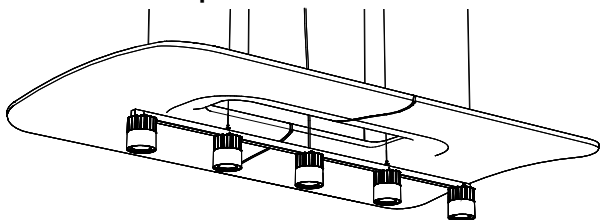
BuzziSol Trio Spot



BuzziSol Quintet Globe



BuzziSol Quintet Spot



BuzziZepp Light Medium

- 🌲 Core: Poplar multiplex
Filling: acoustic foam
Cover: upholstered in fabric
- ✂️ Acoustic Panel:
Length 300 cm Width 117 cm Height 10 cm

Led Line: Length 225 cm
BuzziSol Quintet: Length 157 cm

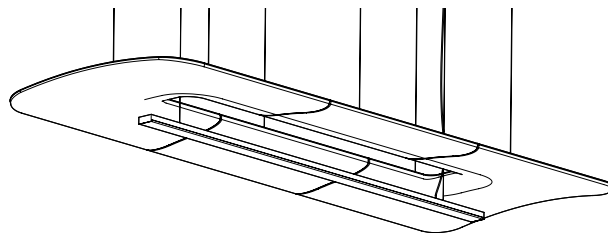
- ⚖️ Acoustic panel: 31,4 kg
LED line: 4 kg
BuzziSol Quintet Spot | Globe: 7,4 kg

- 💡 LED Line:
Voltage: 230V 50/60 Hz
Wattage: 65W
Lumen Output: 4600 Lm

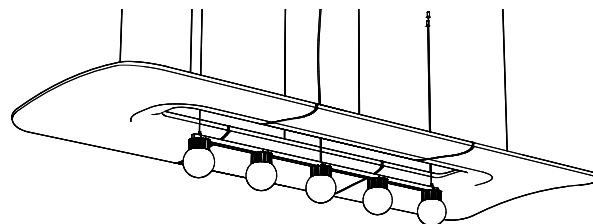
BuzziSol Quintet:
Voltage: 220V - 240V 50/60Hz
Wattage: 90W
Lumen Output: 5 x 1500 Lm

- ⋯ Black or alu cables 2 - 5 m
Light Source: LED Line Medium or
BuzziSol Quintet
Diffusor for BuzziSol: frosted glass globes or 38°
reflector spots

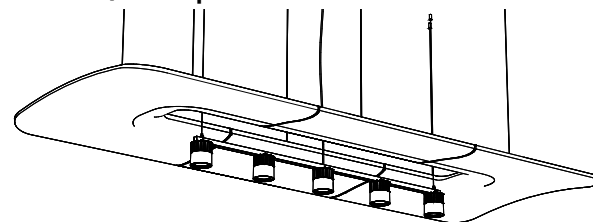
LED Line



BuzziSol Quintet Globe



BuzziSol Quintet Spot



Composition

Acoustic panel



The acoustic panel is upholstered front to back in a chosen fabric.

LED Line

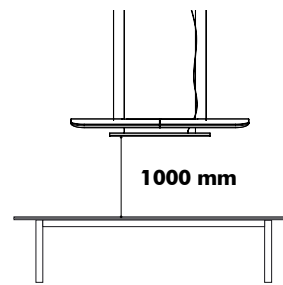


The LED line has a thin aluminum profile finished in fine textured black powder coating. The polycarbonate diffuser creates a diffuse light surface.

To enlighten your workplace with optimal lux levels take following measurements into account:

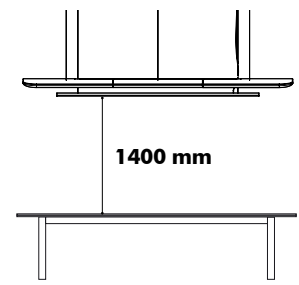
BuzziZepp Small

500 Lux



BuzziZepp Medium

500 Lux



Office, meeting room

* According to EN12464

Specification overview

Standard:	3000K		UGR 23		1-10V DIM
On request:	4000K		UGR 23		1-10V DIM
	4000K		UGR 23		DALI DIM
	2700K		UGR 23		1-10V DIM
	2700K		UGR 23		DALI DIM
	3000K		UGR 23		DALI DIM

BuzziSol



BuzziSol collection are suspended LED fixtures consisting of 3 or 5 powder-coated black heatsinks with LED chip on board (COB) light sources. The product can be finished with a frosted glass globe diffuser which spreads the light in a large beam angle, enlighting the surroundings or reflector spot adaptors directing the light with a beam angle of 38° downwards.

Specification overview

Specification overview

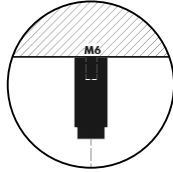
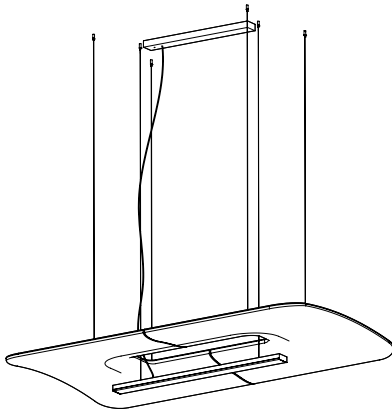
Standard Globe : 3000K UGR 22 1-10V DIM

Standard Spot: 3000K UGR 12 1-10V DIM



Mounting

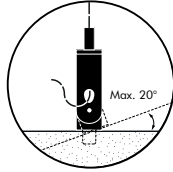
Fixing System



Fixing Acoustic Panel

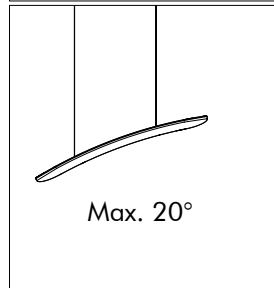
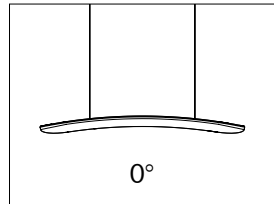
Small: 4 cables of 2 - 5 m
black or alu colored cables

Medium: 6 cables of 2 - 5 m
black or alu colored cables



Fixing system Lighting

All light elements are suspended independently from the acoustic panel with 2 cables.

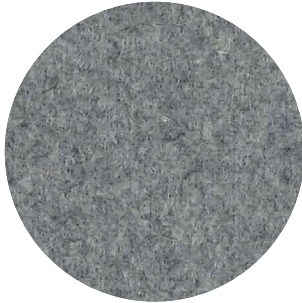


The acoustic panel can be mounted straight or slanted, with a maximum angle of 20° to create a more secluded setting.

Formations, as with other architectural features located in the ceiling plane, may obstruct or skew the existing or planned fire sprinkler water distribution pattern, or possibly delay the activation of the fire sprinkler or fire detection system. Designers and installers are advised to consult a protection engineer, NFPA 13, and their local codes for guidance on the proper installation techniques where detection or suppression systems are present.

Fabrics

Fabric



Category A

Composition 70% Recycled Wool, 25% Recycled Polyacryl,
5% Recycled Other Fabrics

Weight 405 g/m² | 11.94 oz/yd²

Abrasion resistance 40.000 Martindale, 50,000 Wyzenbeek

Flammability EU: EN 1021.1/2006 | BS EN 1021.1/2006 (cigarette).
EN 1021.2/2006 | BS EN 1021.2/2006 (match)
USA: CAL TB 117 | ASTM E84 CLASS A

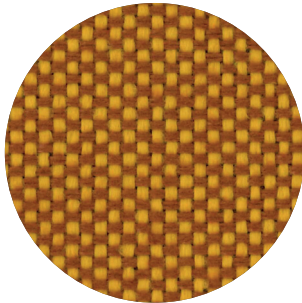
Fastness to light EU: 4 | USA 4

Fastness to rubbing EU: Wet 3-4 | Dry 4-5

Fastness to crocking USA: Wet 5 | Dry 5



Trevira CS+ | CS



Category A

Weight 420 g/m² | 12.39 oz/yd²

Composition 100% Polyester, Trevira CS

Abrasion resistance 100.000 Martindale, 90,000 Wyzenbeek

Flammability BS 5852 part II: CRIB 5 | BS 7176 Medium Hazard
USA: CAL TB 117 | M1 | B1 | EN 1021/1-2 | C1 |
IMO Res. A652 (16)

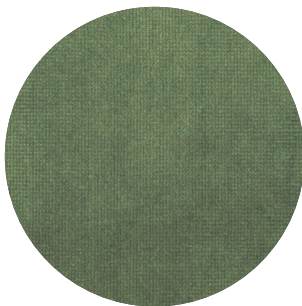
Fastness to light EU: 6 | USA 5

Fastness to rubbing EU: Wet 4-5 | Dry 4-5

Fastness to crocking USA: Wet 5 | Dry 5



Velvet



Category B

Composition 100% PES

Weight 375 g/m² | 11.06 oz/yd²

Abrasion resistance > 100.000 Martindale

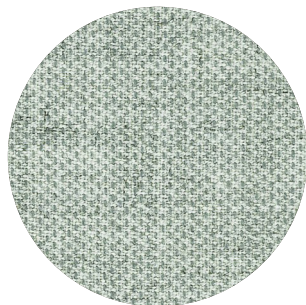
Fastness to light EU: 4-5

Fastness to rubbing EU: Wet 4 | Dry 4-5

Pilling EU: 4-5

Clara 2

kvadrat



Category B

Composition 92% new wool, 8% nylon

Weight 400 g/lin.m

Abrasion resistance 80.000 Martindale rubs, EN ISO 12947

Flammability EN 1021-1/2 | BS 5852, ignition source 2-3 | DIN 4102 B2
NF D 60 013 | UNI 9175 11M | US Cal. Tech. Bull. 117, Sec. E
NFPA 260 | IMO A.652(16)

Fastness to light Note 5-7, ISO 105-B02

Fastness to rubbing (ISO) dry 4-5, wet 4

Pilling Note 4, EN ISO 12945



Remix 3

kvadrat



Category B

Composition 90% new wool, 10% nylon

Weight 415 g/lin.m

Abrasion resistance 100.000 Martindale rubs, EN ISO 12947

Flammability EN 1021-1/2 | BS 5852 part 1
Önorm B1/Q1 | NF D 60 013 | UNI 9175, 11M
AS/NZS 1530.3 | Cal. Tech. Bull. 117-2013
NFPA 260 | IMO FTP Code 2010:Part 8

Fastness to light Note 5-7, ISO 105-B02

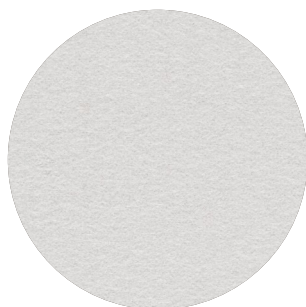
Fastness to rubbing (ISO) dry 4-5, wet 4

Pilling Note 4, EN ISO 12945



Hero

kvadrat



Category C

Composition 96% new wool, 4% nylon

Weight 580 g/lin.m

Abrasion resistance 45.000 Martindale rubs, EN ISO 12947

Flammability EN 1021-1/2 | DIN 4102 B2 | NF D 60 013
UNI 9175 11M | US Cal. Bull. 117-2013 | NFPA 260
IMO A.652 (16)

Fastness to light Note 5-6, ISO 105-B02

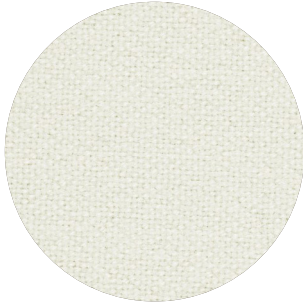
Fastness to rubbing (ISO) dry 4-5, wet 4-5

Pilling Note 3-4, EN ISO 12945



Tonus 4

kvadrat



Category D

Composition 90% new wool, 10% Helanca

Weight 665 g/lin.m

Abrasion resistance 100.000 Martindale rubs, EN ISO 12947

Flammability EN 1021-1/2 | BS 5852 part 1 | DIN 4102 B2

Önorm B1/Q1 | NF D 60 013 | UNI 9175 11M

US Cal. Bull. 117-2013 | NFPA 260 | IMO A.652 (16)

Fastness to light Note 5-7, ISO 105-B02

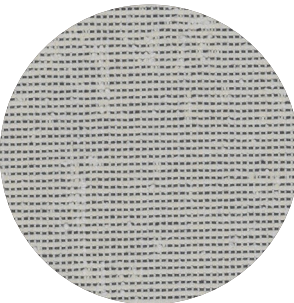
Fastness to rubbing (ISO) dry 3-5, wet 3-5

Pilling Note 3, EN ISO 12945



Memory 2

kvadrat



Category E

Composition 100% Trevira CS

Weight 700 g/lin.m

Abrasion resistance

35.000 rubs acc. to the Martindale method, EN ISO 12947

Flammability EN 1021-1/2 | DIN 4102 B1 | Önorm B1/Q1

NF D 60 013 | NF P 92 507 M1 | UNI 9175 11M

UNI 9177 classe 1 | US Cal. Tech. Bull. 117

IMO A.652 (16)

Fastness to light Note 5-8, ISO 105-B02

Fastness to rubbing (ISO) dry 4-5, wet 4-5

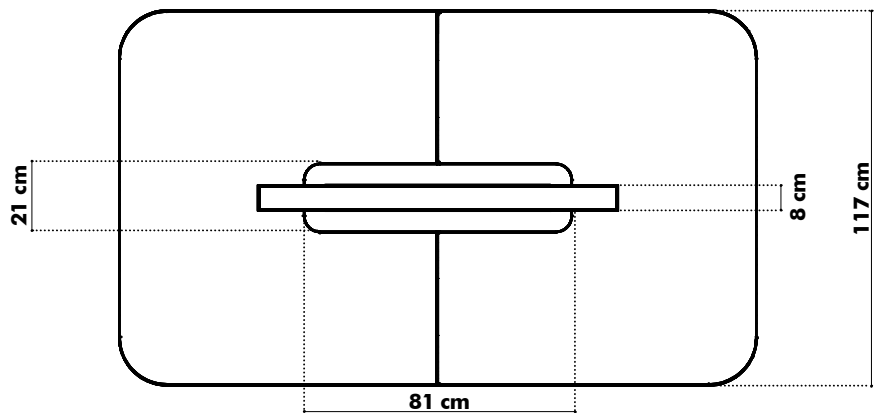
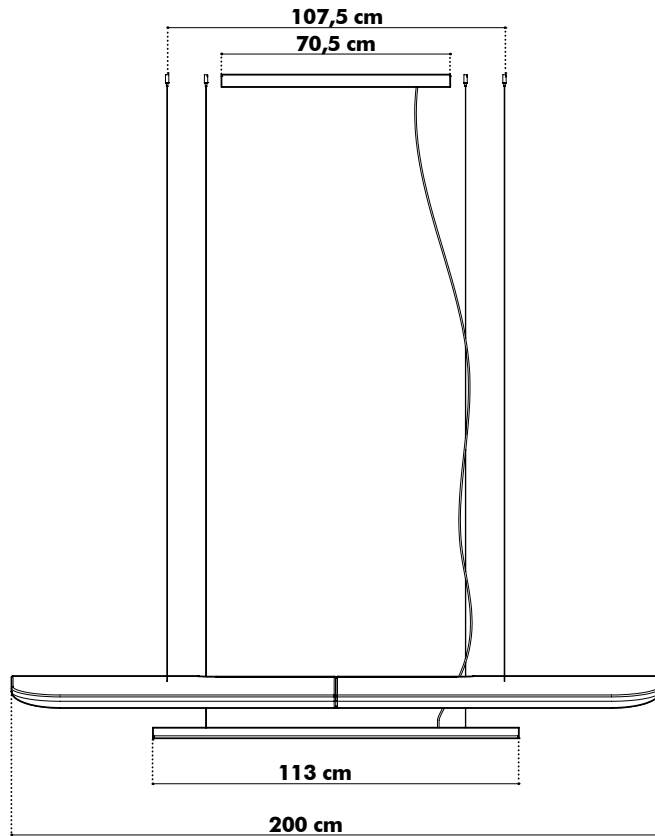
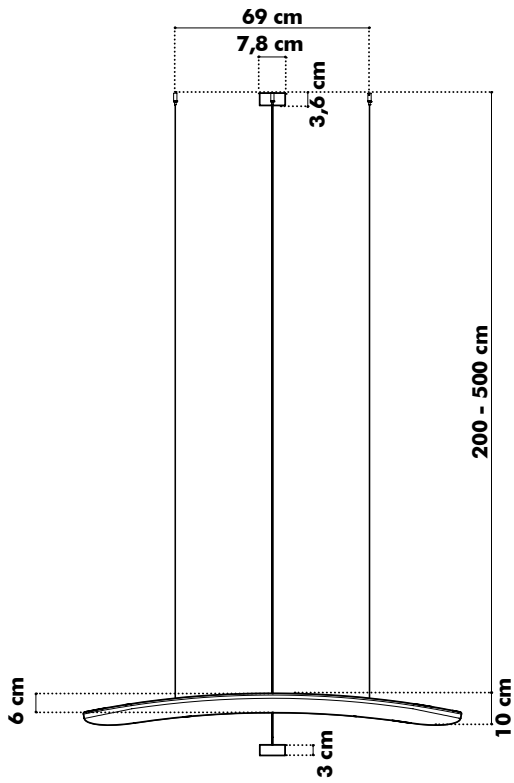
Pilling Note 4, EN ISO 12945



Dimensions

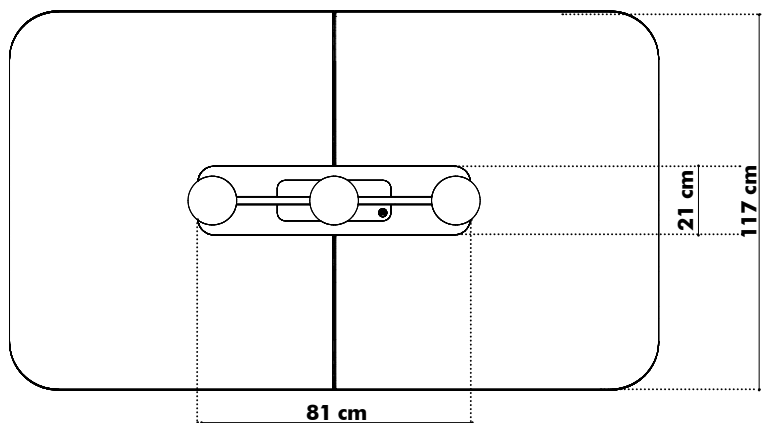
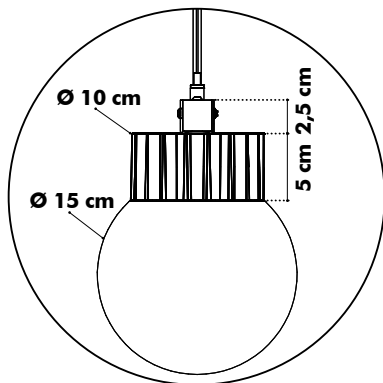
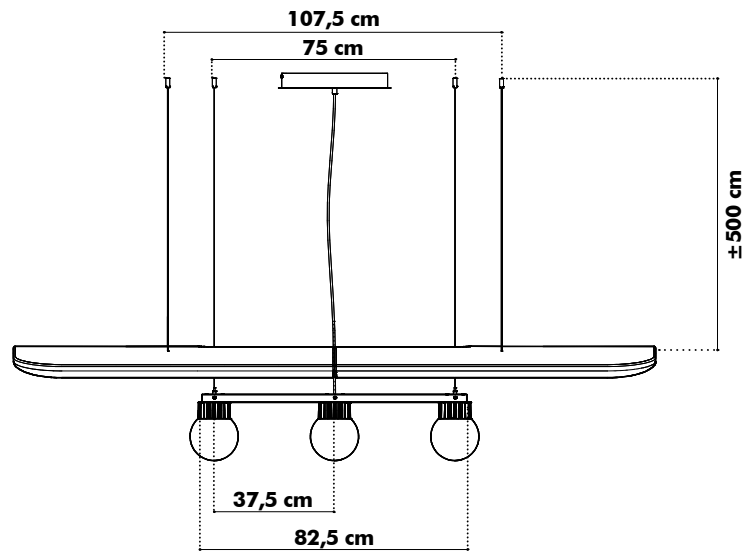
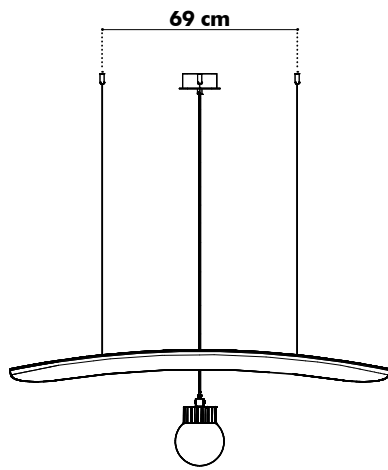
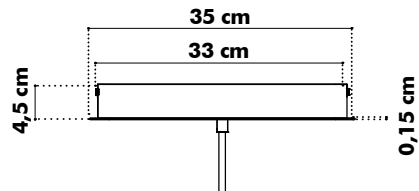
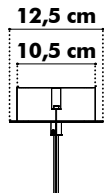
Small

Led Line S



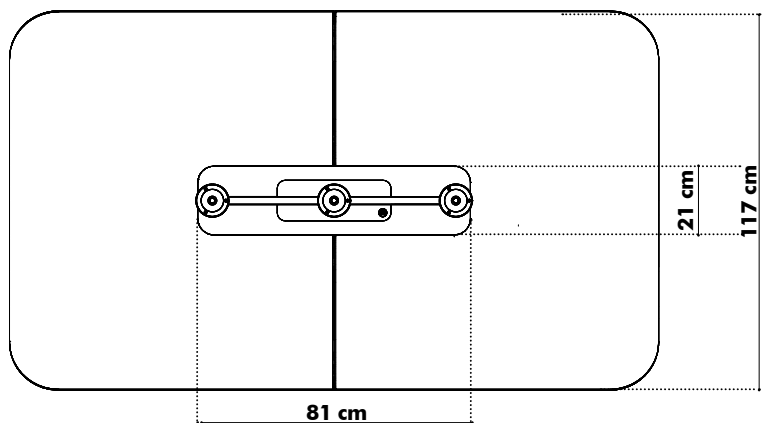
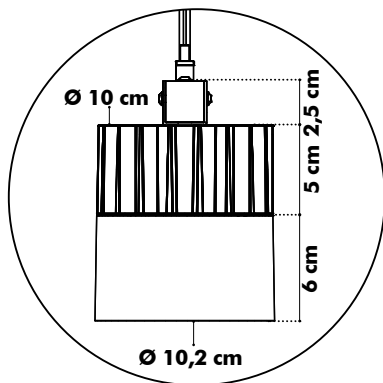
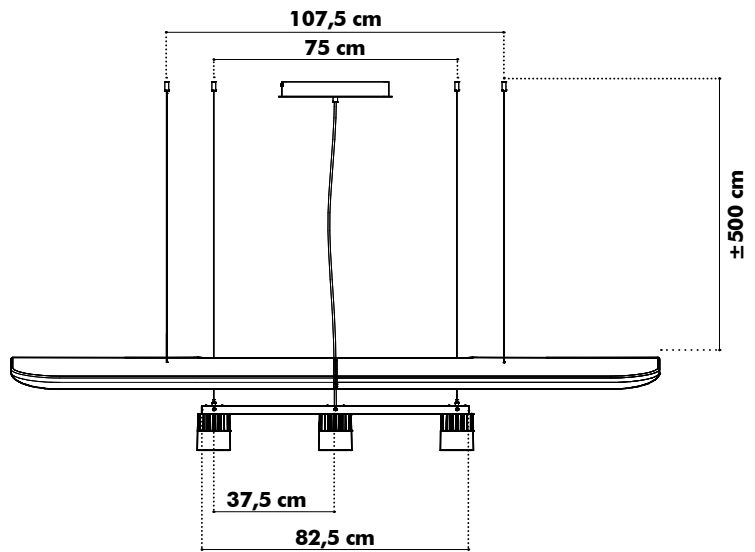
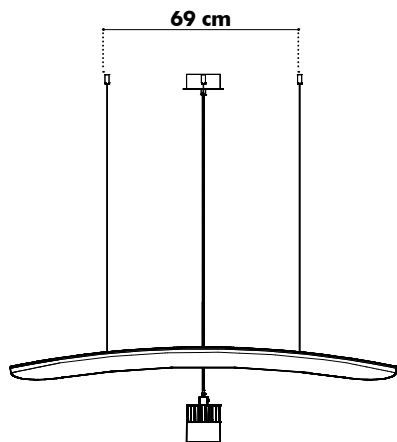
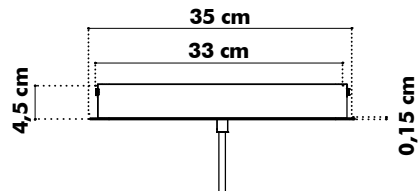
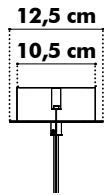
Small

Sol Trio Globe



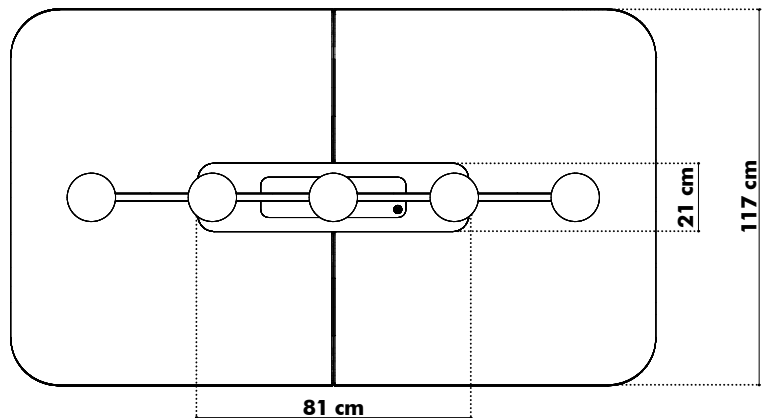
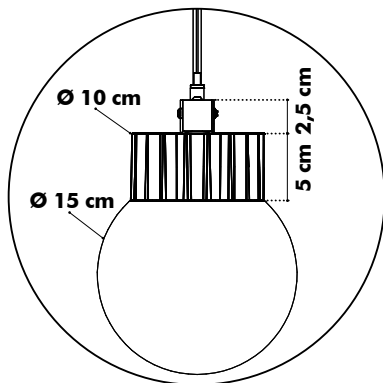
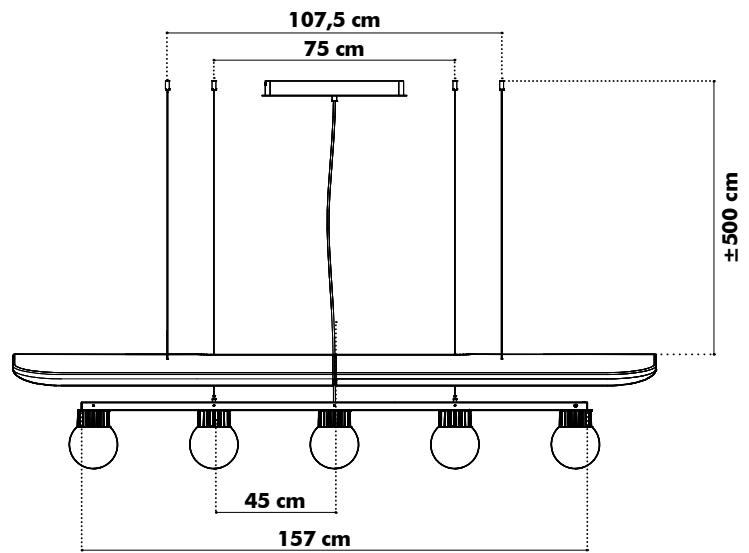
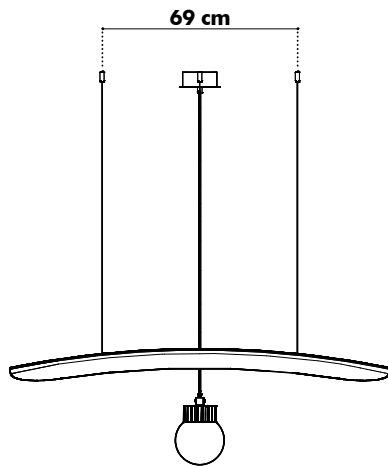
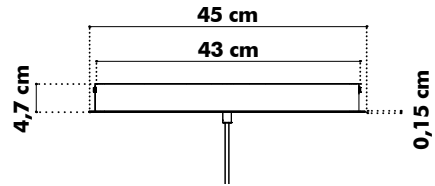
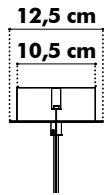
Small

Sol Trio Spot



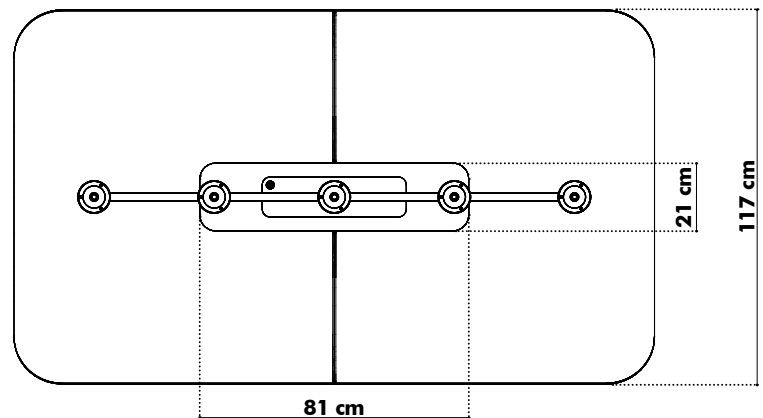
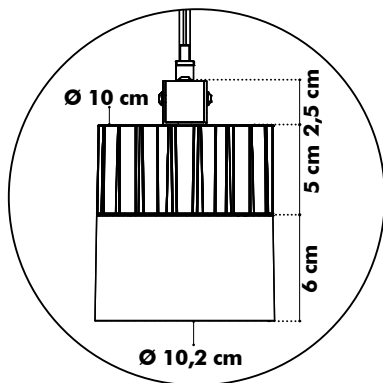
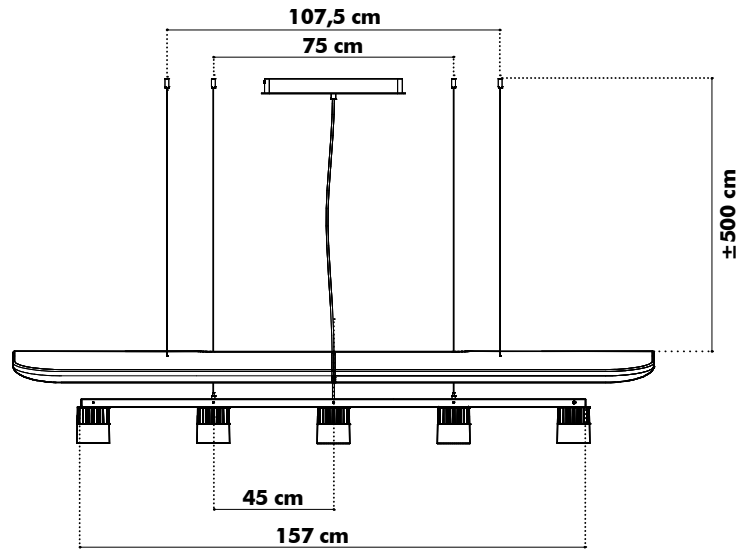
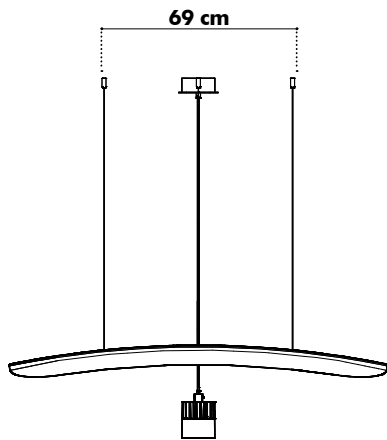
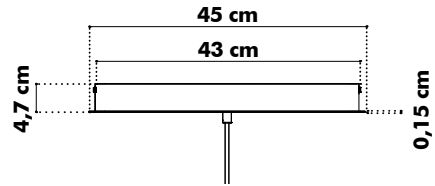
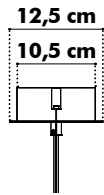
Small

Sol Quintet Globe



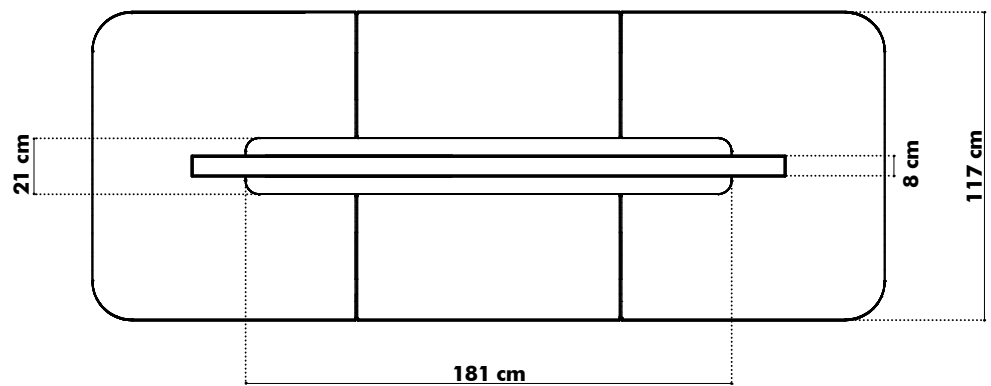
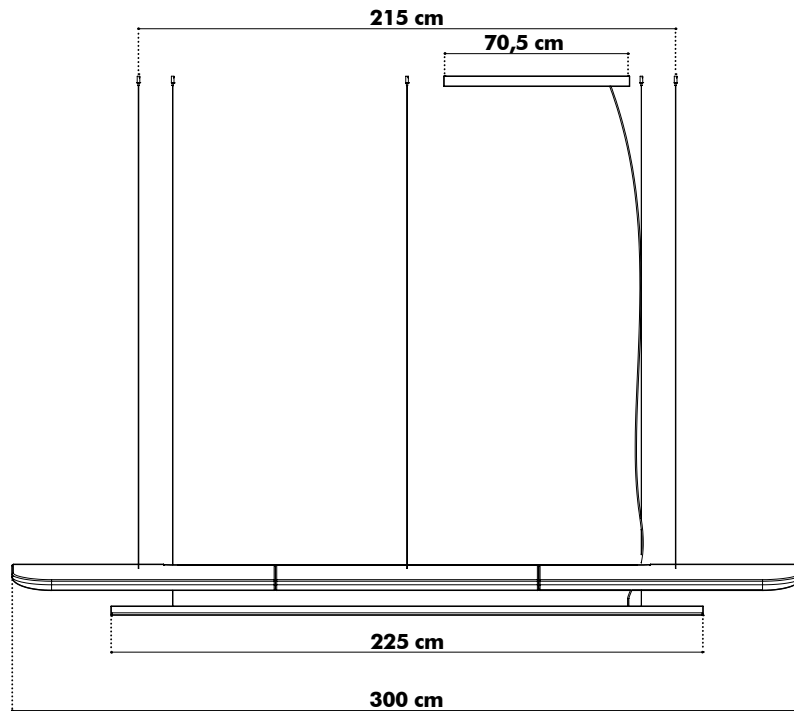
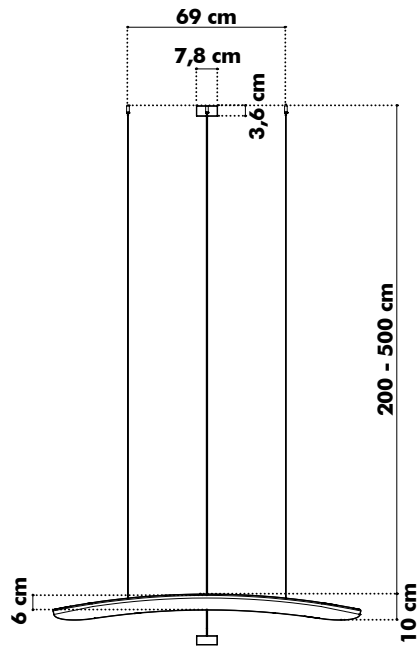
Small

Sol Quintet Spot



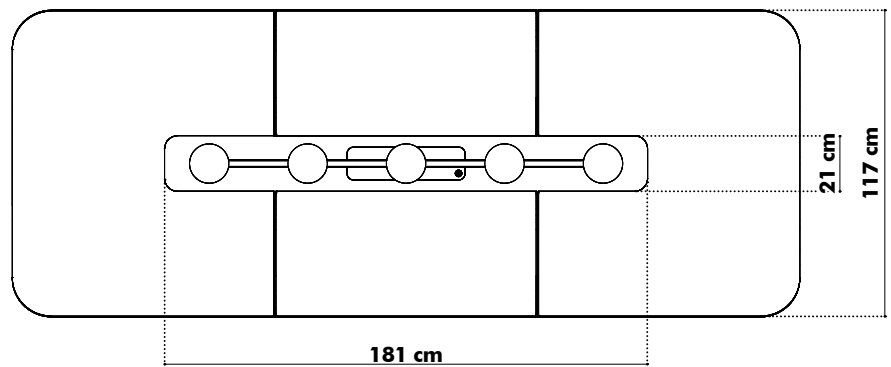
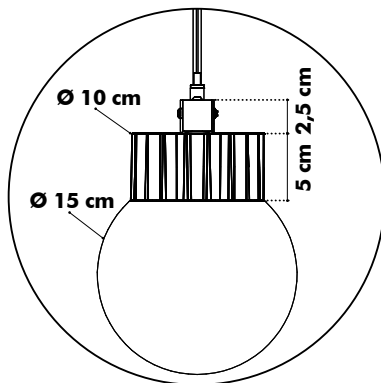
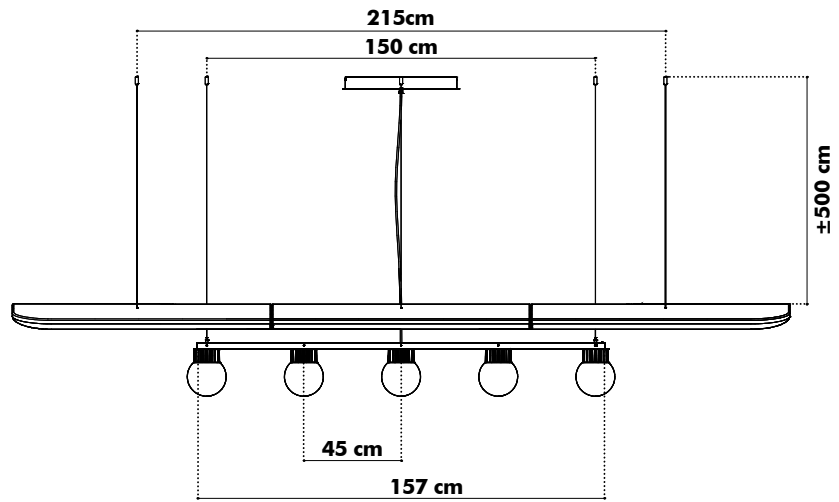
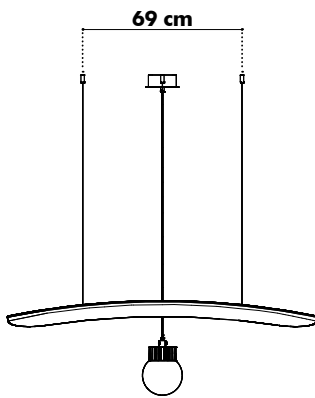
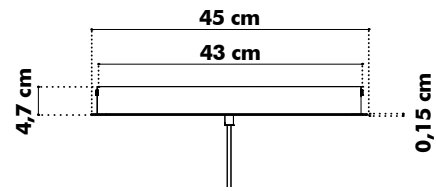
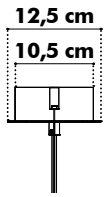
Medium

Led Line M



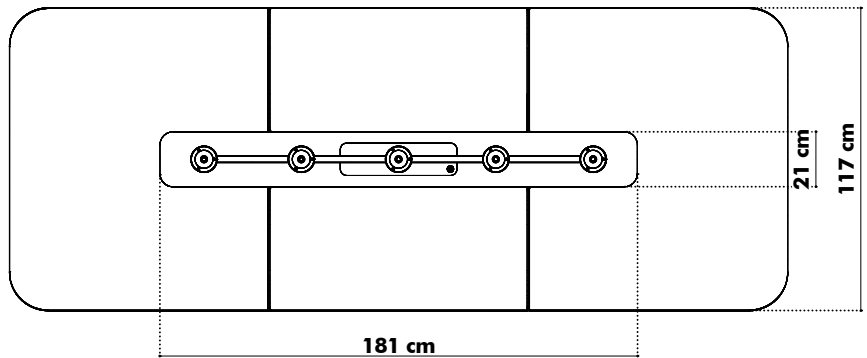
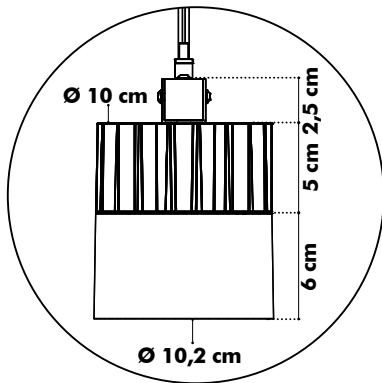
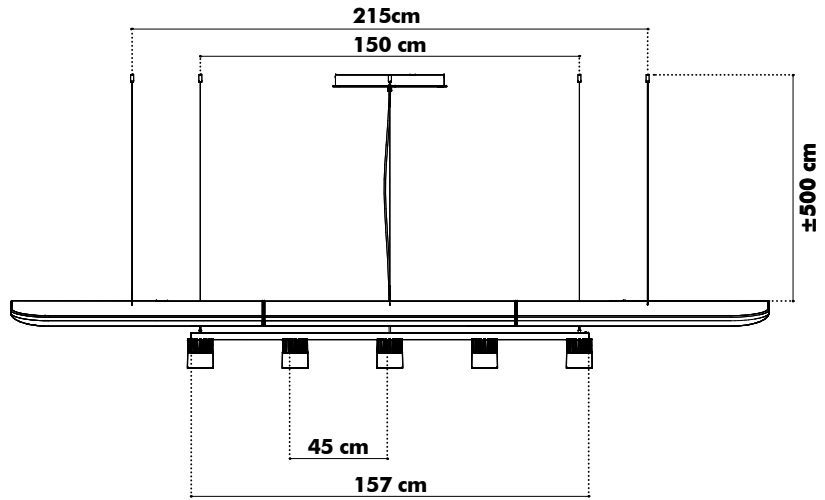
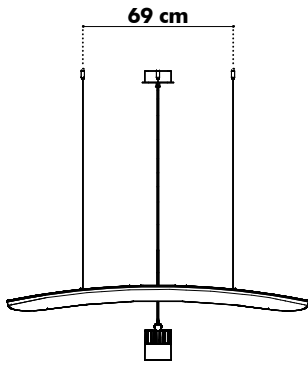
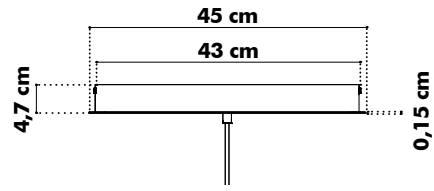
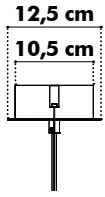
Medium

Sol Quintet Globe



Medium

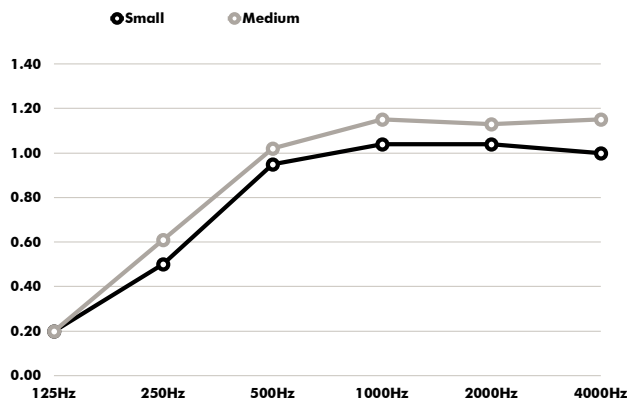
Sol Quintet Spot



Acoustics

BuzziZepp

Absorption coefficient



Hz	α ^s Small	α ^s Medium
125	0.20	0.20
250	0.50	0.61
500	0.95	1.02
1000	1.04	1.15
2000	1.04	1.13
4000	1.00	1.15

Absorption Values Small

α^w
(ISO 11654) **0.80**

NRC
(ASTM - C423) **0.90**

SAA
(ASTM - C423) **0.88**

Class
(ISO 11654) **A**

Absorption Values Medium

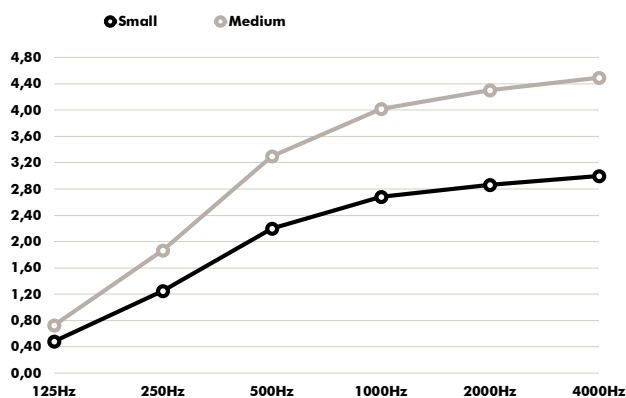
α^w
(ISO 11654) **0.90**

NRC
(ASTM - C423) **1.00**

SAA
(ASTM - C423) **0.98**

Class
(ISO 11654) **A**

Equivalent sound absorption area in m² per object



Hz	A _{eq} /m ² Small	A _{eq} /m ² Medium
125	0.48	0.73
250	1.25	1.87
500	2.20	3.30
1000	2.68	4.02
2000	2.86	4.30
4000	3.00	4.49

Glossary p.13

Glossary

All calculations are based on accredited lab measurements, official document available on www.buzzi.space

Definitions

α	Weighted absorption coefficient	(ISO 11654)
NRC	Noise reduction coefficient	(ASTM - C423)
SAA	Sound absorption average	(ASTM - C423)

Classification of sound absorbers NEN-EN-ISO 11654

A	0.90 0.95 1.0
B	0.80 0.85
C	0.60 0.65 0.70 0.75
D	0.03 0.55
E	0.15 0.25