

---

## **BuzziTrom 230V** **Product Specification Sheet**

---

This document contains technical information about the BuzziTrom



[www.buzzi.space](http://www.buzzi.space)







## Functional lighting with acoustic power

BuzziTrom is the first functional acoustic lighting solution crafted from a dual layer of felt that works on speech and high-tones. Along with an integrated LED disk, this acoustic lighting pendant houses an enclosed 4 cm air cavity that ensures maximum acoustic performance. Its cylindrical design traps sound waves within the radius of its frame; meanwhile, the exterior helps to diffuse sound energy.

Design by BuzziSpace Studio

---

## General

-  Ceiling Suspended  
S | M | L  
Metal frame in black (RAL 9005)  
Shade with two layers of BuzziFelt finished with push buttons in glossy black
-  LED disk with opaque diffusor (Prismatic on request)  
Powder coated metal ceiling canopy in white (RAL 9010)  
Transparent power cable  
  
Wattage: 29W  
Input Voltage: 230V  
Input Frequency: 50/60Hz
-  Lumen Output: 2545 lumen  
Color Temperature: 3000K (4000K on request)  
Color Rendering Index: >90  
Dimmable: 1-10V Protocol (DALI on request)  
Unified Glare Rating: 22 (19 on request)
-  IP20 Dry Usage
-  Assembled
-  If installing on suspended ceiling, verify load capacity prior to installation

---

## Certifications



CE/CB

---

## Acoustics



Attenuation



Diffusion



Mid tone



High tone

---

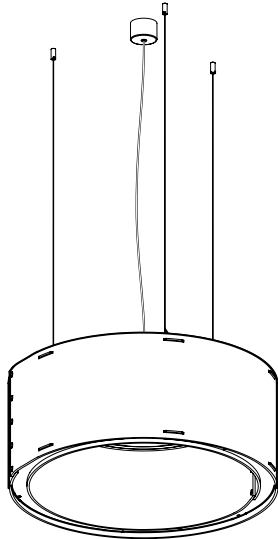
## Content

Configurations	3	Fabrics	7
Composition	5	Dimensions	8
Mounting	6	Acoustics	11

# Configurations

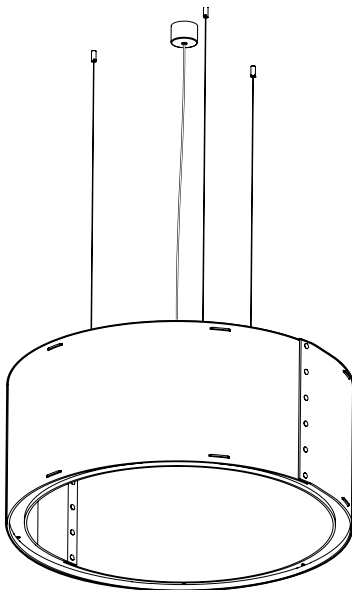
---

## BuzziTrom S



- 🔑 Ceiling Suspended
- Metal frame in black (RAL 9005)
- Shade with two layers of BuzziFelt finished with push buttons in glossy black
- 🌲 LED disk with opaque diffusor (Prismatic on request)
- Powder coated metal ceiling canopy in white (RAL 9010)
- Transparent power cable
  
- ✂ Ø 71 cm    H: 30 cm
  
- ⚖ 10,4 kg
  
- ⋯ Ceiling Suspended Straight or Split
- ⋯ black or alu cables 2 - 4 m
- ⋯ Bicolor: inside/outside different felt color
  
- ⚠ If installing on suspended ceiling, verify load capacity prior to installation

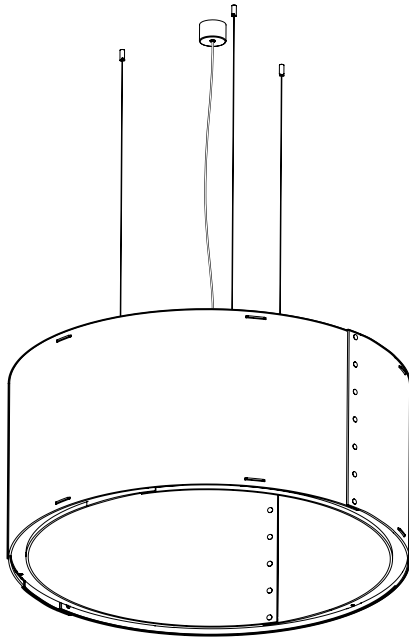
## BuzziTrom M



- 🔑 Ceiling Suspended
- Metal frame in black (RAL 9005)
- Shade with two layers of BuzziFelt finished with push buttons in glossy black
- 🌲 LED disk with opaque diffusor (Prismatic on request)
- Powder coated metal ceiling canopy in white (RAL 9010)
- Transparent power cable
  
- ✂ Ø 91,5 cm    H: 40 cm
  
- ⚖ 12,6 kg
  
- ⋯ Ceiling Suspended Straight or Split
- ⋯ black or alu cables 2 - 4 m
- ⋯ Bicolor: inside/outside different felt color
  
- ⚠ If installing on suspended ceiling, verify load capacity prior to installation

---

## BuzziTrom L



◆ Ceiling Suspended

Metal frame in black (RAL 9005)

Shade with two layers of BuzziFelt finished with push buttons in glossy black



LED disk with opaque diffuser (Prismatic on request)

Powder coated metal ceiling canopy in white (RAL 9010)

Transparent power cable



Ø 106,2 cm H: 50 cm



13,8 kg

Ceiling Suspended Straight or Split



black or alu cables 2 - 4 m

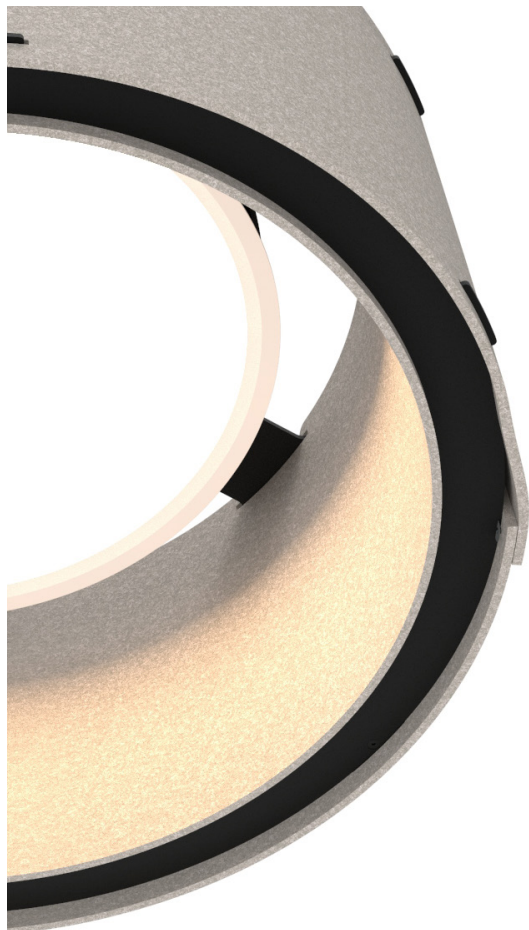
Bicolor: inside/outside different felt color



If installing on suspended ceiling, verify load capacity prior to installation

# Composition

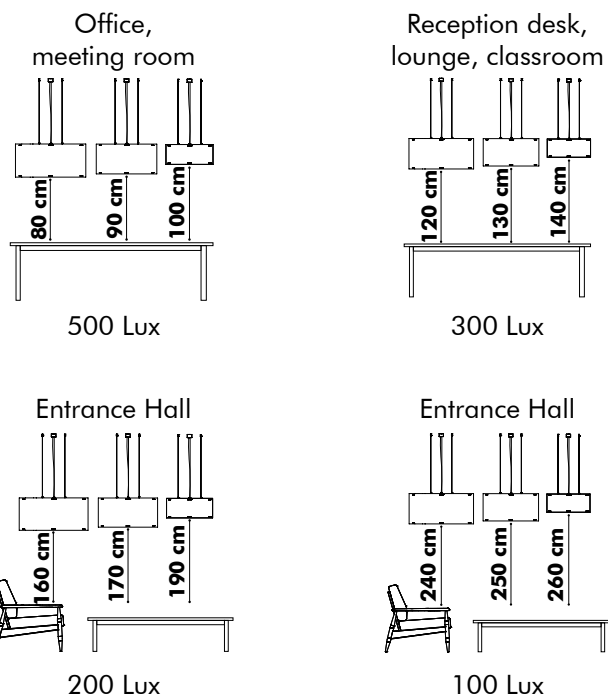
## Light source



The Light source is wrapped with a felt ring in the same felt color as the inside of the shade.

The PMMA diffuser ensures an optimal light spread and efficiency. It creates a very diffuse light surface without any dottiness. The light source of the BuzziTrom is a LED PCB, containing 36 low power LED's.

To enlight your workplace or room with optimal lux levels take following measures into account.



## Specification overview

Standard:	3000K		UGR 22		1-10V DIM
On request:	3000K		UGR 19*		1-10V DIM
	4000K		UGR 22		1-10V DIM
	4000K		UGR 22		DALI DIM
	3000K		UGR 22		DALI DIM

\* To achieve a UGR 19, the product is fitted with a Prismatic diffuser instead of a milky diffuser. LED dots will be visible.

## Ceiling canopy and power cord



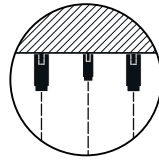
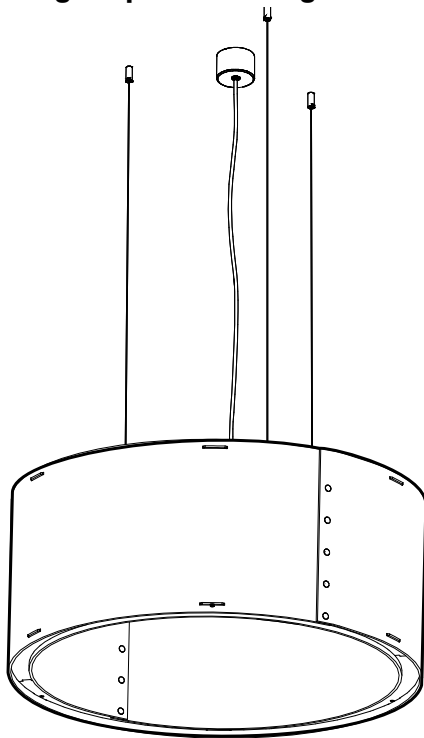
Suspension set consists of a:

- metal ceiling canopy powder coated in white
- transparent power cable (length 4 m)
- separate metal cables to suspend the BuzziJet (in alu or black 2 m or 4 m)

---

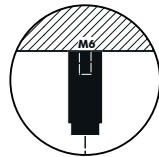
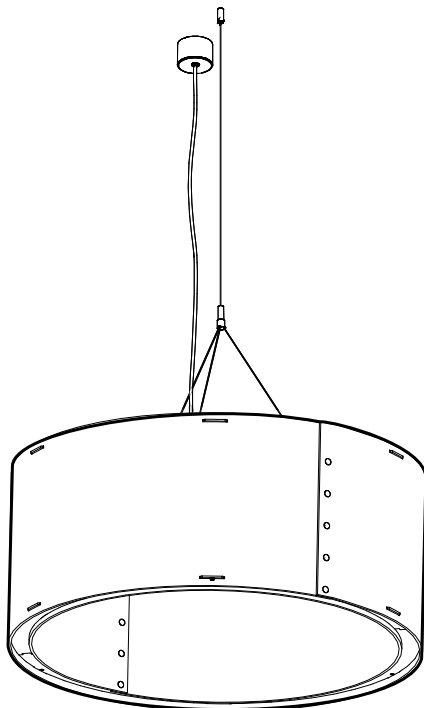
# Mounting

## Ceiling Suspended Straight

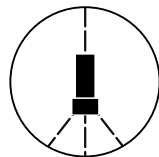


Ceiling Suspended Straight  
Fixing System Screw with 3 cables of 2 or 4 m  
(black or alu)  
Min. distance of shade to ceiling is 10 cm

## Ceiling Suspended Split



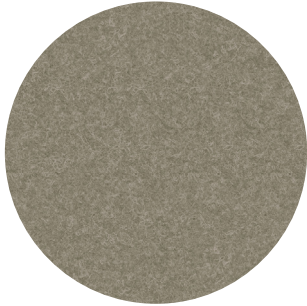
Ceiling Suspended Split  
Fixing System Screw with 3 split cables and 1 main  
cable, total length of 2 m or 4 m (black or alu)  
Min. distance of shade to ceiling is 50 cm



# Fabrics

---

## Felt



**Composition** 100% Recycled PE.T. Felt, latex backing

**Weight** 1.000 g/m2 | 29.49 oz/yd2

**Abrasion resistance** >7.000 Martindale

**Flammability** EU: EN 13501.1 + A1/2009 Class B-s1,d0  
USA: ASTM E84 Class A certified

**Fastness to light** USA 5

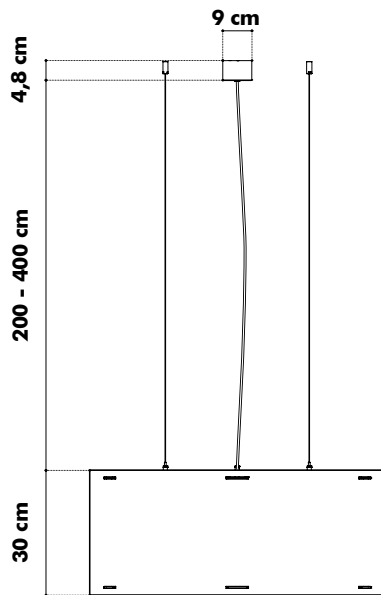




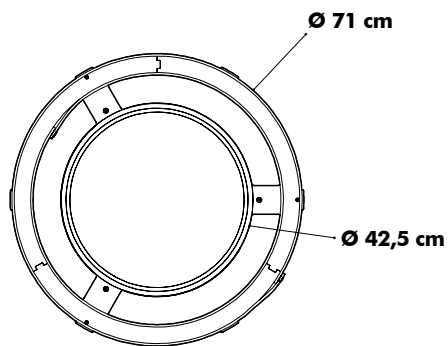
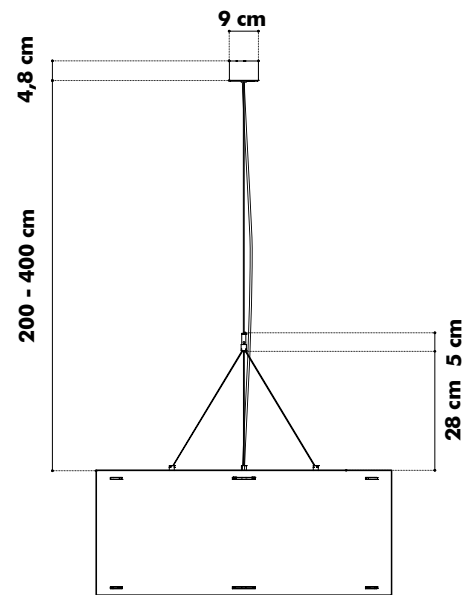
# Dimensions

## BuzziTrom S

**Straight**



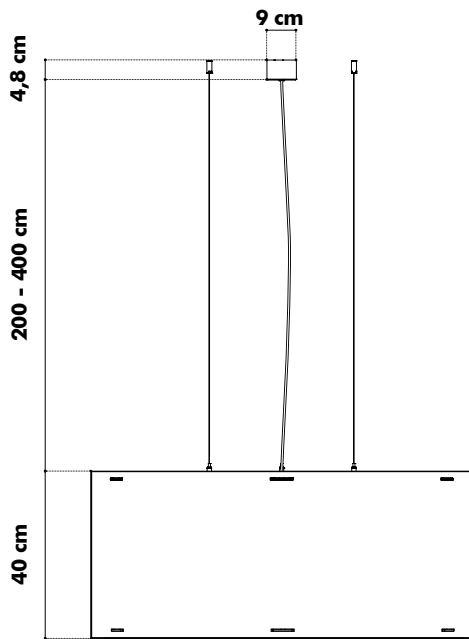
**Split**



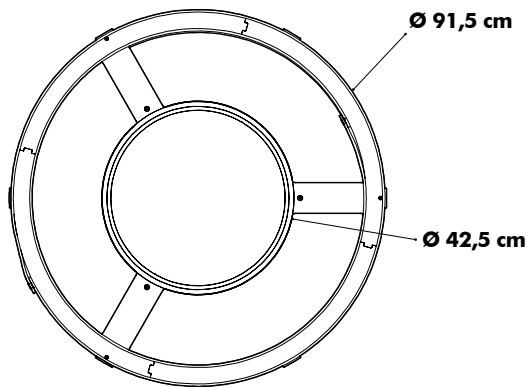
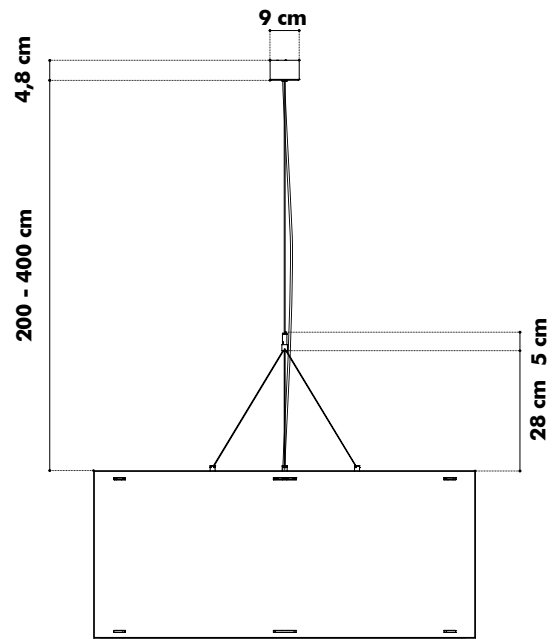


# BuzziTrom M

**Straight**

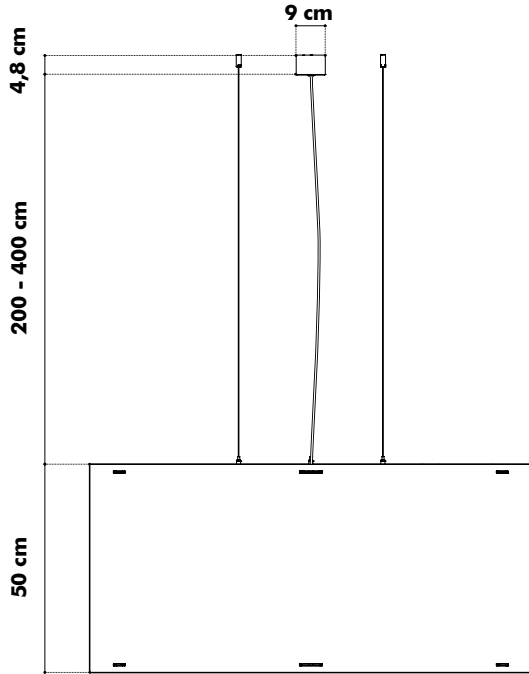


**Split**

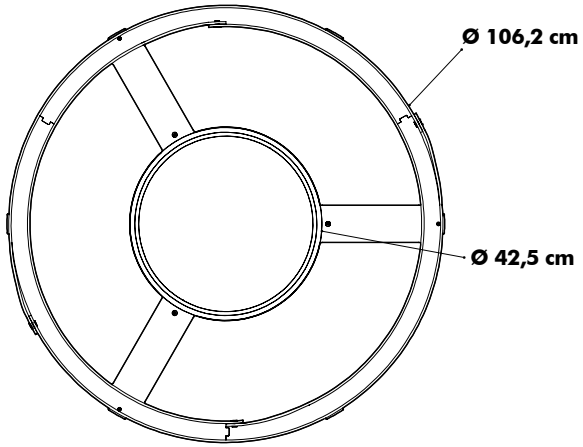
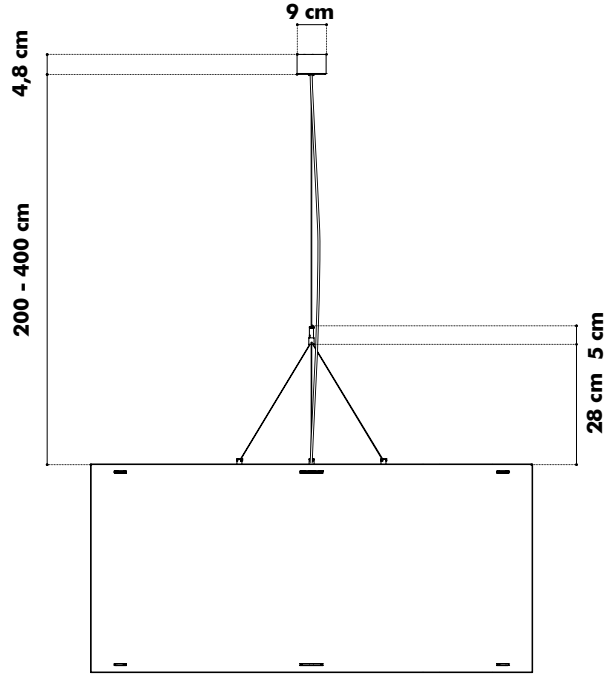


# BuzziTrom L

**Straight**



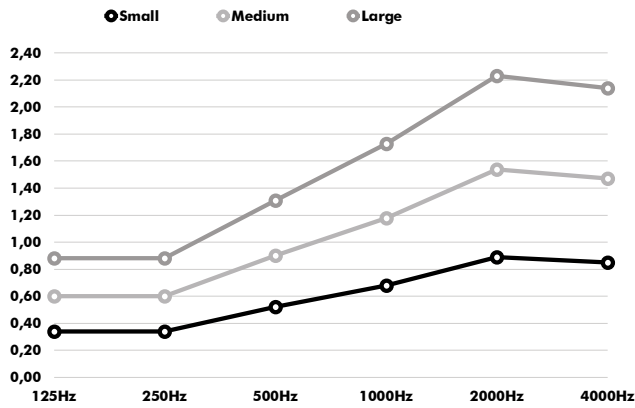
**Split**



# Acoustics

## BuzziTrom

Equivalent sound absorption area in m<sup>2</sup> per object



Hz	S Aeq/m <sup>2</sup>	M Aeq/m <sup>2</sup>	L Aeq/m <sup>2</sup>
125	0.34	0.60	0.88
250	0.34	0.60	0.88
500	0.52	0.90	1.31
1000	0.68	1.18	1.73
2000	0.89	1.54	2.23
4000	0.85	1.47	2.14