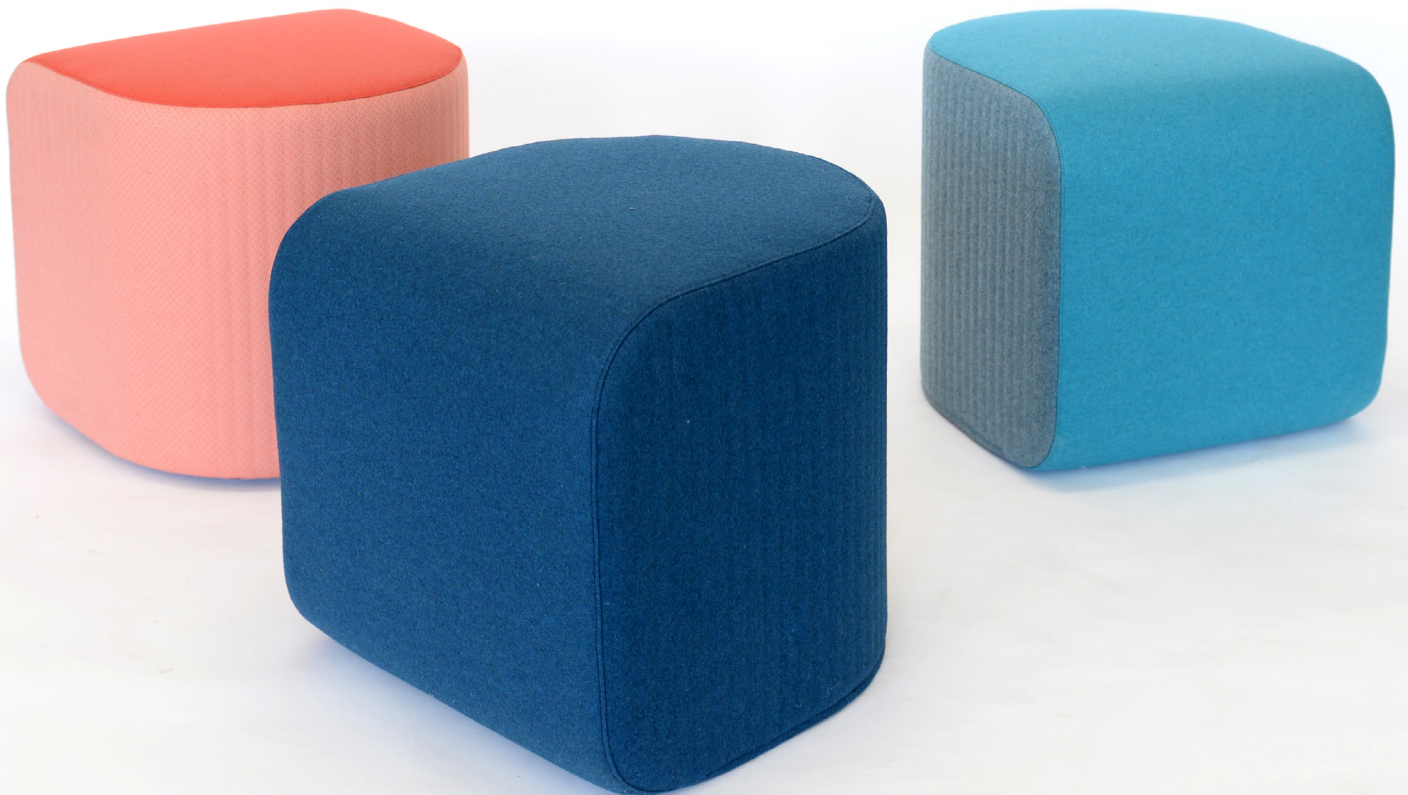

BuzziDee

Product Specification Sheet

This document contains technical information about the BuzziDee Solo, Solo Large, Trio, Plus



www.buzzi.space



Versatile series of poufs with exceptional acoustic capabilities



A, B, C, BuzziDee. With this originally-shaped acoustic pouf in the room, you can speak out without worrying about disturbing coworkers thanks to the sound-absorbing capabilities.

Featuring rounded corners on top and below, BuzziDee's eye-catching curvature adds structural integrity. You can also experience maximum comfort by choosing BuzziDee Plus, the new member of this family with upholstered backrest.

Cluster different BuzziDee to create a cheerful break out zone or an informal meeting area.

Design by BuzziSpace Studio

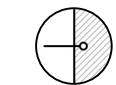
General

-  BuzziDee
Solo | Solo Large | Trio | Plus
-  Filling: Acoustic Foam
Bottom: Antiskid, Wood, Plastic Feet or Wheels
-  Dry usage
-  Assembled
-  Bicolor: in same fabric collection

Certifications



Acoustics



Absorption



Diffusion



Low Tones



Mid Tones



High Tones

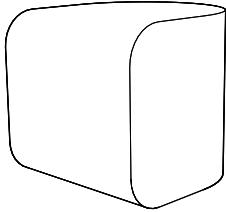
Content

Configurations	3
Components	5
Options	6
Fabrics	7
Dimensions	10
Acoustics	13

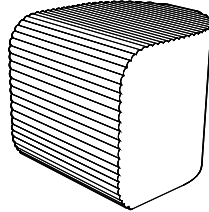
Configurations

BuzziDee Solo

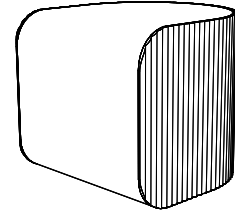
Flat



3D Rib Top & Front



3D Rib Side



Solo



Bottom: Antiskid or Wood
Pattern: Flat, 3D Rib Top & Front, 3D Rib Side



Upholstery in Fabric, Trevira CS+ | CS, Revive 1, Clara 2, Remix 3, Velvet, Hero, Tonus 4, Memory 2
(Velvet not possible for 3D)



Antiskid

Length: 50 cm | 19.69"
Width: 53 cm | 20.87"
Height: 48 cm | 18.90"

Wood

Length: 50 cm | 19.69"
Width: 53 cm | 20.87"
Height: 50 cm | 19.69"



Antiskid

4 kg | 8.82 lbs

Wood

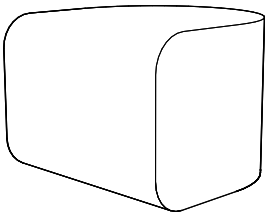
6 kg | 13.23 lb



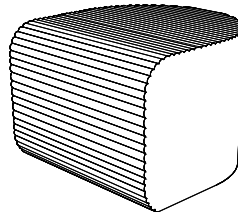
Bicolor: in same fabric collection

BuzziDee Solo Large

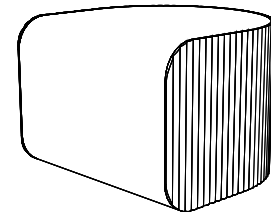
Flat



3D Rib Top & Front



3D Rib Side



Solo Large



Bottom: Antiskid or Wood
Pattern: Flat, 3D Rib Top & Front, 3D Rib Side



Upholstery in Fabric, Trevira CS+ | CS, Revive 1, Clara 2, Remix 3, Velvet, Hero, Tonus 4, Memory 2
(Velvet not possible for 3D)



Antiskid

Length: 65 cm | 25.59"
Width: 65 cm | 25.59"
Height: 48 cm | 18.90"

Wood

Length: 65 cm | 25.59"
Width: 65 cm | 25.59"
Height: 50 cm | 19.69"



Antiskid

7,5 kg | 16.53 lbs

Wood

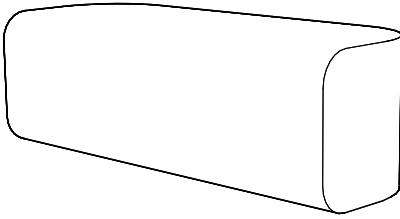
9,5 kg | 20.94 lbs



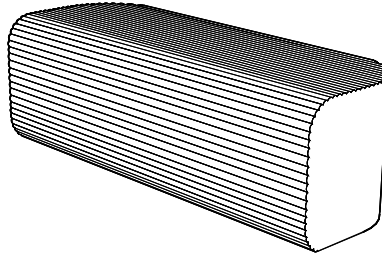
Bicolor: in same fabric collection

BuzziDee Trio

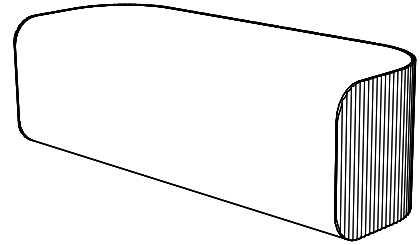
Flat



3D Rib Top & Front



3D Rib Side



Trio



Bottom: Antiskid or Wood

Pattern: Flat, 3D Rib Top & Front, 3D Rib Side



Upholstery in Fabric, Trevira CS+ | CS, Revive 1, Clara 2, Remix 3, Velvet, Hero, Tonus 4, Memory 2
(Velvet not possible for 3D)



Antiskid

Length: 150 cm | 59.06"

Width: 53 cm | 20.87"

Height: 48 cm | 18.90"

Wood

Length: 150 cm | 59.06"

Width: 53 cm | 20.87"

Height: 50 cm | 19.69"



Antiskid

11 kg | 24.25 lbs

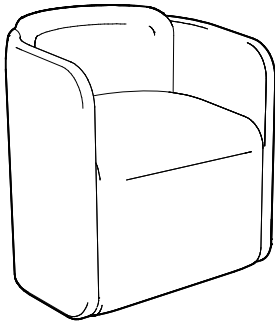
Wood

13 kg | 28.66 lbs



Bicolor: in same fabric collection

BuzziDee Plus



Plus

Bottom: Plastic Feet or Wheels



Upholstery in Fabric, Trevira CS+ | CS, Revive 1, Clara 2, Remix 3, Hero, Tonus 4,
Memory 2



Plastic Feet

Length: 57,5 cm | 22.64"

Width: 57 cm | 22.44"

Height: 76 cm | 29.92"

Wheels

Length: 57,5 cm | 22.64"

Width: 57 cm | 22.44"

Height: 76 cm | 29.92"



Plastic Feet

19 kg | 41.89 lbs

Wheels

18,5 kg | 40.79 lbs



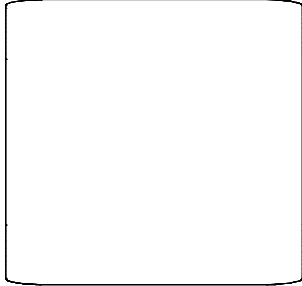
Bicolor: in same fabric collection

Tablet (Left or Right)

Components

Bottom Solo | Solo Large | Trio

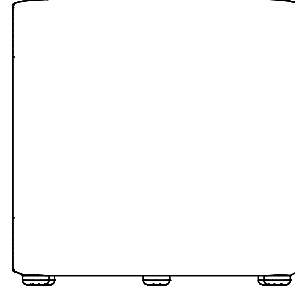
Antiskid



Bottom: Antiskid



Wood



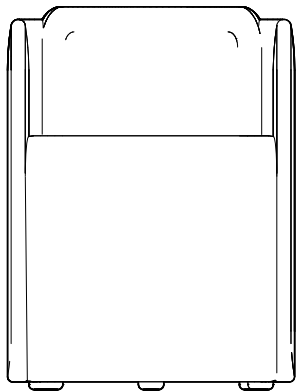
Bottom: Black MDF
5 Plastic Feet

5x



Bottom BuzziDee Plus

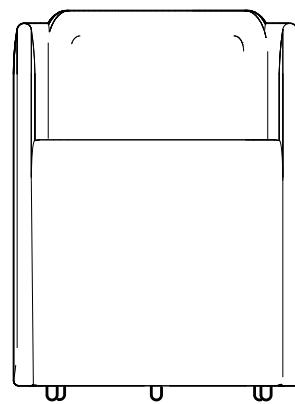
Plastic Feet



Bottom: Black Textile
5 Plastic Feet



Wheels



Bottom: Black Textile
5 Wheels



Options

Tablet

Tablet Left



Tablet Right



Left or Right

BuzziDee Plus Tablet with rotating top in
Ash Black Stained.

Powder coated metal in black (RAL 9005)

Width 21 cm | 8.27"

Length 24 cm | 9.45"

Height 63 cm | 24.80"

1,6 kg | 3.53 lbs

(only available for BuzziDee Plus)

Bicolor

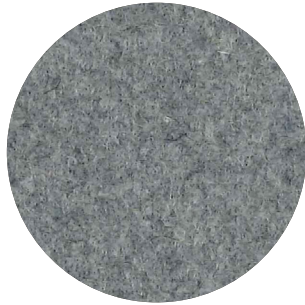
Different color side / Top & Front in same category,
same collection



Fabrics

Upholstery in Fabric, Trevira CS+ | CS, Revive 1, Clara 2, Remix 3, Velvet, Hero, Tonus 4, Memory 2
(Velvet not possible for 3D & Dee Plus)

Fabric



Category A

Composition 70% Recycled Wool, 25% Recycled Polyacryl,
5% Recycled Other Fabrics

Weight 405 g/m² | 11.94 oz/yd²

Abrasion resistance 40.000 Martindale, 50,000 Wyzenbeek

Flammability EU: EN 1021.1/2006 | BS EN 1021.1/2006 (cigarette).

EN 1021.2/2006 | BS EN 1021.2/2006 (match)

USA: CAL TB 117 | ASTM E84 CLASS A

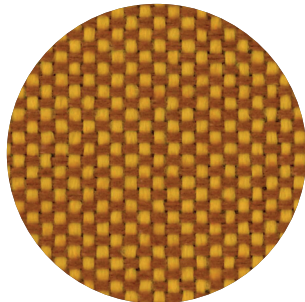
Fastness to light EU: 4 | USA 4

Fastness to rubbing EU: Wet 3-4 | Dry 4-5

Fastness to crocking USA: Wet 5 | Dry 5



Trevira CS+ | CS



Category A

Weight 420 g/m² | 12.39 oz/yd²

Composition 100% Polyester, Trevira CS

Abrasion resistance 100.000 Martindale, 90,000 Wyzenbeek

Flammability BS 5852 part II: CRIB 5 | BS 7176 Medium Hazard

USA: CAL TB 117 | M1 | B1 | EN 1021/1-2 | C1 |

IMO Res. A652 (16)

Fastness to light EU: 6 | USA 5

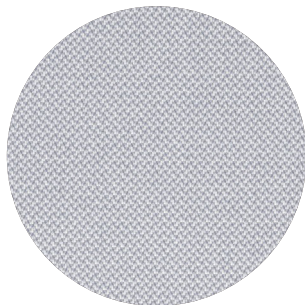
Fastness to rubbing EU: Wet 4-5 | Dry 4-5

Fastness to crocking USA: Wet 5 | Dry 5



Revive 1

kvadrat



Category A

Composition 100% recycled polyester FR

Weight 430 g/lin.m

Abrasion resistance 60.000 Martindale rubs, EN ISO 12947

Flammability EN 1021-1/2 | DIN 4102 B1 | Önorm B1/Q1

UNI 9175 1IM | US Cal. Tech. Bull. 117

IMO A.652 (16)

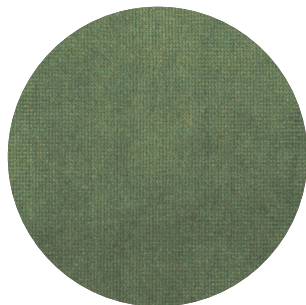
Fastness to light Note 5-7, ISO 105-B02

Fastness to rubbing (ISO) dry 5, wet 4-5

Pilling Note 4-5, EN ISO 12945



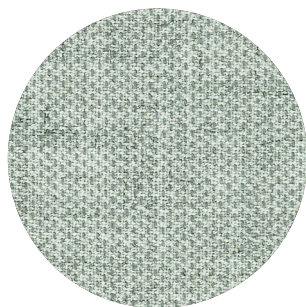
Velvet (not for 3D or Plus)



Category B
Composition 100% PES
Weight 375 g/m² | 11.06 oz/yd²
Abrasion resistance > 100.000 Martindale
Fastness to light EU: 4-5
Fastness to rubbing EU: Wet 4 | Dry 4-5
Pilling EU: 4-5

Clara 2

kvadrat



Category B
Composition 92% new wool, 8% nylon
Weight 400 g/lin.m
Abrasion resistance 80.000 Martindale rubs, EN ISO 12947
Flammability EN 1021-1/2 | BS 5852, ignition source 2-3 | DIN 4102 B2
NF D 60 013 | UNI 9175 1IM | US Cal. Tech. Bull. 117, Sec. E
NFPA 260 | IMO A.652(16)
Fastness to light Note 5-7, ISO 105-B02
Fastness to rubbing (ISO) dry 4-5, wet 4
Pilling Note 4, EN ISO 12945



Remix 3

kvadrat

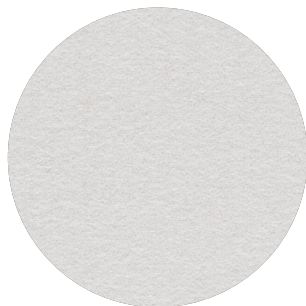


Category B
Composition 90% new wool, 10% nylon
Weight 415 g/lin.m
Abrasion resistance 100.000 Martindale rubs, EN ISO 12947
Flammability EN 1021-1/2 | BS 5852 part 1
Önorm B1/Q1 | NF D 60 013 | UNI 9175, 1IM
AS/NZS 1530.3 | Cal. Tech. Bull. 117-2013
NFPA 260 | IMO FTP Code 2010:Part 8
Fastness to light Note 5-7, ISO 105-B02
Fastness to rubbing (ISO) dry 4-5, wet 4
Pilling Note 4, EN ISO 12945



Hero

kvadrat



Category C
Composition 96% new wool, 4% nylon
Weight 580 g/lin.m
Abrasion resistance 45.000 Martindale rubs, EN ISO 12947
Flammability EN 1021-1/2 | DIN 4102 B2 | NF D 60 013
UNI 9175 1IM | US Cal. Bull. 117-2013 | NFPA 260
IMO A.652 (16)
Fastness to light Note 5-6, ISO 105-B02
Fastness to rubbing (ISO) dry 4-5, wet 4-5
Pilling Note 3-4, EN ISO 12945



Tonus 4

kvadrat



Category D

Composition 90% new wool, 10% Helanca

Weight 665 g/lin.m

Abrasion resistance 100.000 Martindale rubs, EN ISO 12947

Flammability EN 1021-1/2 | BS 5852 part 1 | DIN 4102 B2

Önorm B1/Q1 | NF D 60 013 | UNI 9175 11M

US Cal. Bull. 117-2013 | NFPA 260 | IMO A.652 (16)

Fastness to light Note 5-7, ISO 105-B02

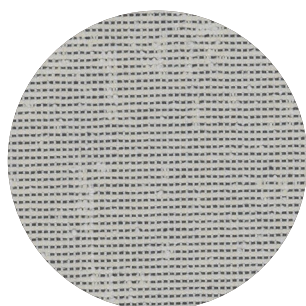
Fastness to rubbing (ISO) dry 3-5, wet 3-5

Pilling Note 3, EN ISO 12945



Memory 2

kvadrat



Category E

Composition 100% Trevira CS

Weight 700 g/lin.m

Abrasion resistance

35.000 rubs acc. to the Martindale method, EN ISO 12947

Flammability EN 1021-1/2 | DIN 4102 B1 | Önorm B1/Q1

NF D 60 013 | NF P 92 507 M1 | UNI 9175 11M

UNI 9177 classe 1 | US Cal. Tech. Bull. 117

IMO A.652 (16)

Fastness to light Note 5-8, ISO 105-B02

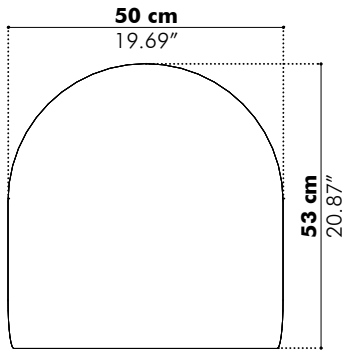
Fastness to rubbing (ISO) dry 4-5, wet 4-5

Pilling Note 4, EN ISO 12945

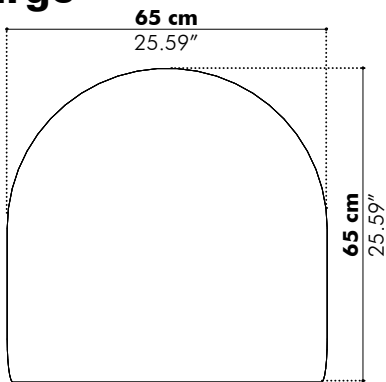


Dimensions

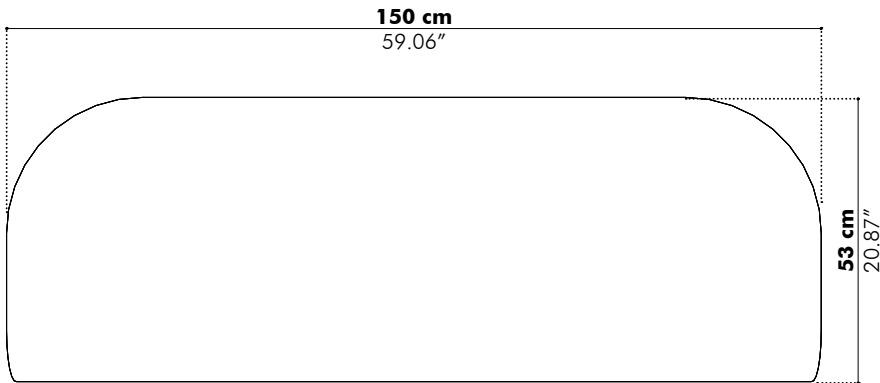
Solo



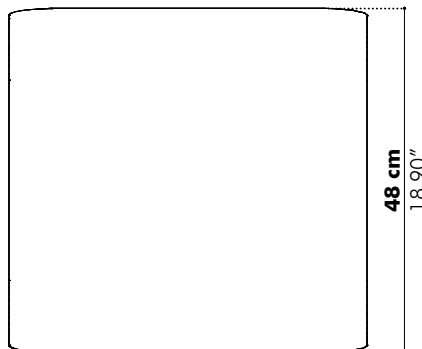
Solo Large



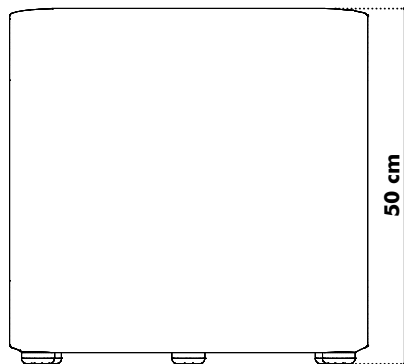
Trio



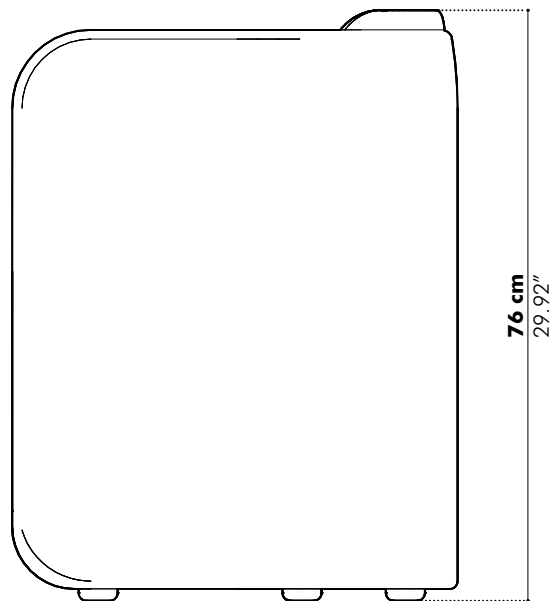
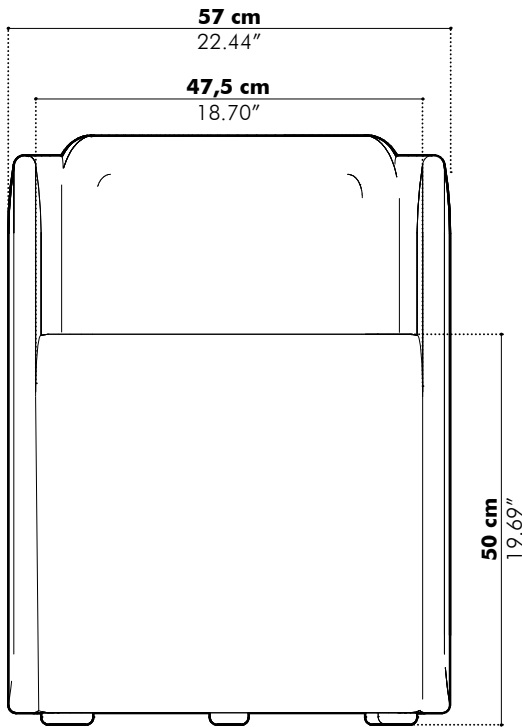
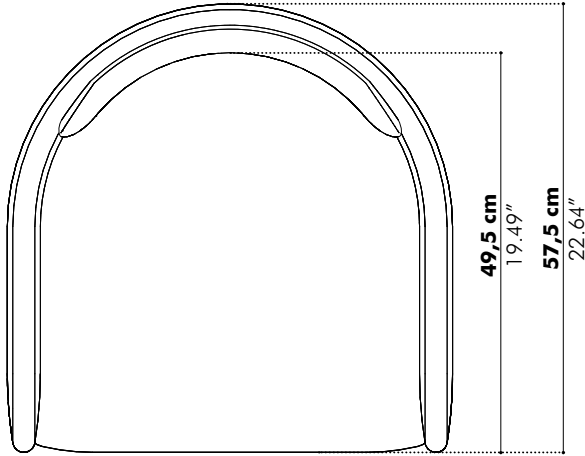
Antiskid



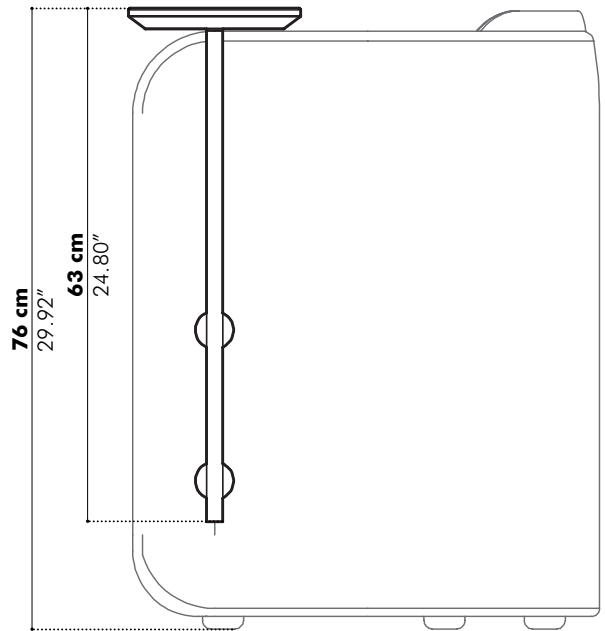
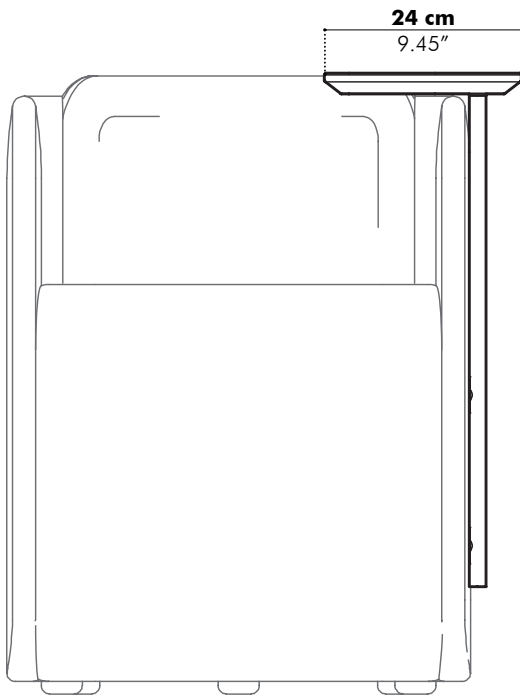
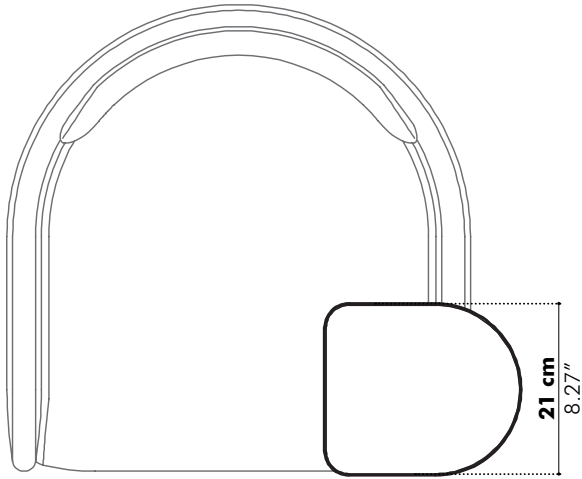
Wood



Plus



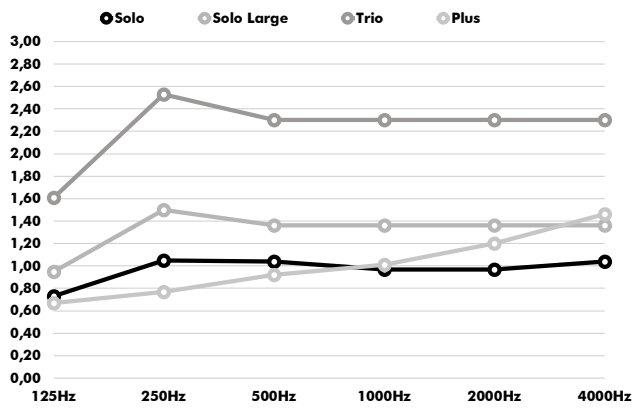
Tablet (optional for Dee Plus)



Acoustics

BuzziDee

Equivalent sound absorption area in m² per object



Hz	Solo Aeq/m ²	Solo Large Aeq/m ²	Trio Aeq/m ²	Plus Aeq/m ²
125	0.73	0.95	1.61	0.67
250	1.05	1.50	2.53	0.77
500	1.04	1.36	2.30	0.92
1000	0.97	1.36	2.30	1.01
2000	0.97	1.36	2.30	1.20
4000	1.04	1.36	2.30	1.46